

General Setup Instructions

Using Your Setup Instructions

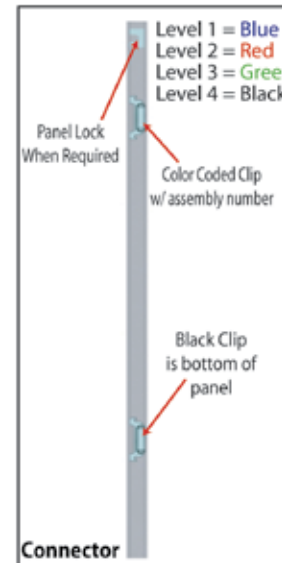
The Setup Instructions are created specifically for your configuration. They are laid out sequentially in levels, including exploded views, and a logical series of detailed steps to assemble the main structure and components. We encourage you to study the instructions **before** attempting to assemble your exhibit.

Each page reminds you to tighten the setscrews after disassembling your exhibit to prevent loss of the locks and setscrews (see below in RED). This is VERY IMPORTANT.

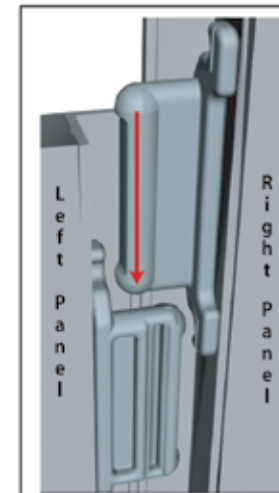
Cleaning and Packing Your Display

- 1) Use care when cleaning aluminum extrusion or Eco Glass inserts. Use only non-abrasive cleaners.
- 2) When cleaning laminate inserts, countertops, or panels use mild cleansers and a soft material such as cotton.
- 3) Keep all display components away from extreme heat and long exposure to sunlight to avoid warping and fading.
- 4) Retain all packing material. It will make re-packing much easier and will reduce the likelihood of shipping damage. Each Layer will be labeled with the packing order.

General Setup Instructions for Panel System

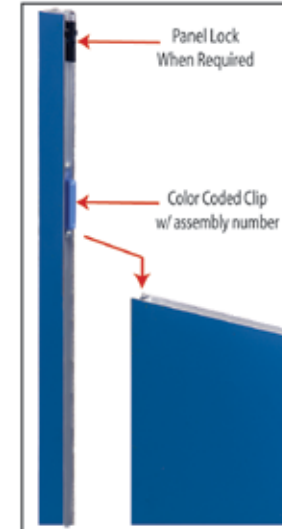


Each component has 2 clips, the lower clip is ALWAYS black. The top clip is color coded to distinguish the level. The color coded clip also contains the numbered label.



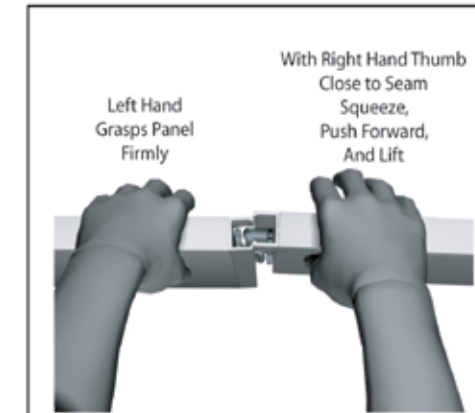
Cut Away View Of Slide Clips

Components connect together by aligning them and sliding downward connecting clips together.



Example of Connection

Configurations are assembled from left to right, usually starting with #1 and following the numbered sequence.



Top View of Panels with Locks

The first level of components contains panel locks that are located at the top of the panel for extra stability and a seamless connection. When disassembling panels, twist top connection slightly and lift right panel upward.

General Setup Instructions for Extrusion System



The Tool

Most exhibits can be assembled with the supplied Hex Key Tool. Occasionally, other tools may be needed.

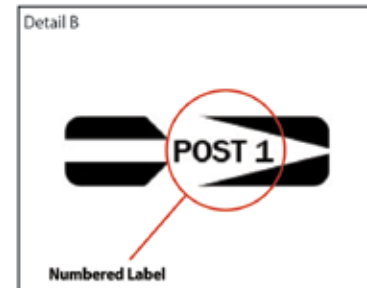


Typical Connection

Most horizontal extrusion connections have a patented expandable lock. This lock inserts into the groove of an opposing extrusion. Tightening the lock with the Hex Key Tool expands the lock and creates a strong positive connection.

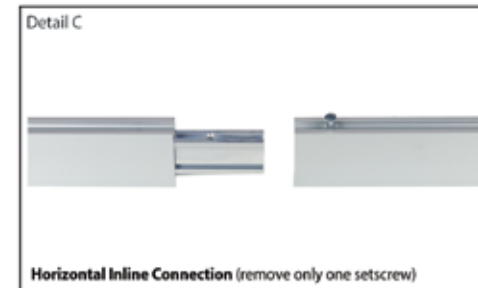


Typical Connection (cont'd)



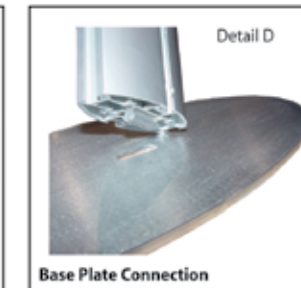
Numbered Label

Each extrusion contains a numbered label which corresponds with setup instructions. The label is located within a groove of the extrusion (when possible). With extrusion components the labels contain Black numbers unless otherwise specified.



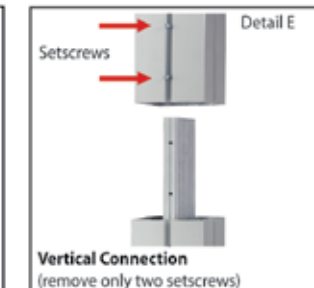
Horizontal Inline Connection (remove only one setscrew)

Remove only (1) setscrew when disassembling. Replace setscrew in extrusion after assembling it. Before packing, replace setscrew in extrusion to avoid losing it.



Base Plate Connection

Attach base plate to vertical extrusion using the lock provided. Place base plate on ground and set vertical post/lock in base plate slot. Tighten lock with Multitool.



Vertical Connection (remove only two setscrews)

When vertical extrusions are packed in portable cases rather than crates or tubs, they must be broken down into smaller sections which then require assembly.

Remove only (2) setscrews when disassembling. Replace setscrews in extrusion after assembling it. Before packing, replace setscrews in extrusion to avoid losing them.

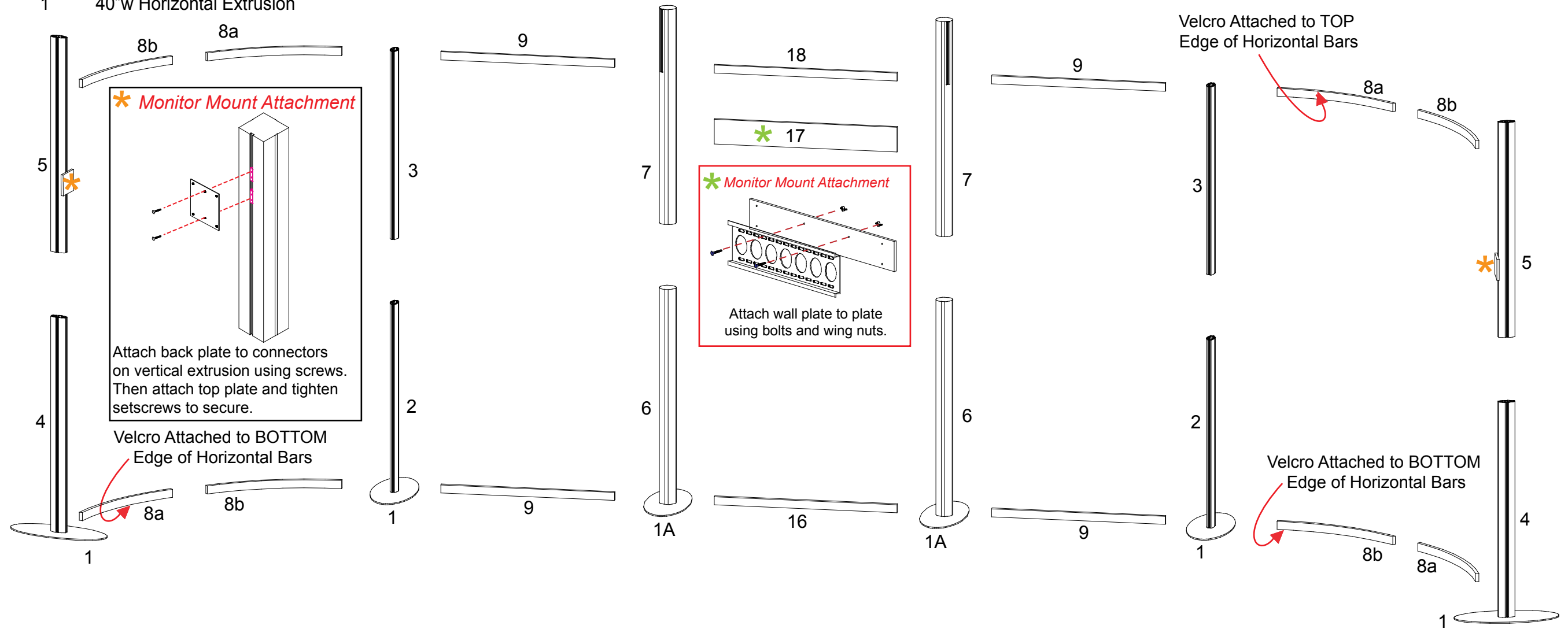
Item Number	Qty.	Description
1/1A	4/2	Base Plate
2	2	42" h Vertical Extrusion
3	2	42" h Vertical Extrusion
4	2	48" h Vertical Extrusion
5	2	48" h Vertical Extrusion
6	2	48" h Vertical Extrusion
7	2	48" h Vertical Extrusion
8a/8b	4/4	29.5" w Curved Horizontal Extrusion
9	4	38" w Horizontal Extrusion
16	1	40" w Horizontal Extrusion
17	1	40" w Horizontal Extrusion
18	1	40" w Horizontal Extrusion

Steps:

- 1) Attach base plates to bottom of verticals per illustration below, see Detail D on General Instruction page.
- 2) Connect vertical extrusions and horizontal extrusions together as shown.
- 3) Connect horizontal extrusions between vertical assemblies.
Velcro side must face forward
- 4) Attach Monitor Mount to backwall as shown.

Note: Attaching Graphics

Attach Backwall Graphics to Velcro on the Top Edge of the Upper Horizontals and on the Bottom Edge of the Lower Horizontals



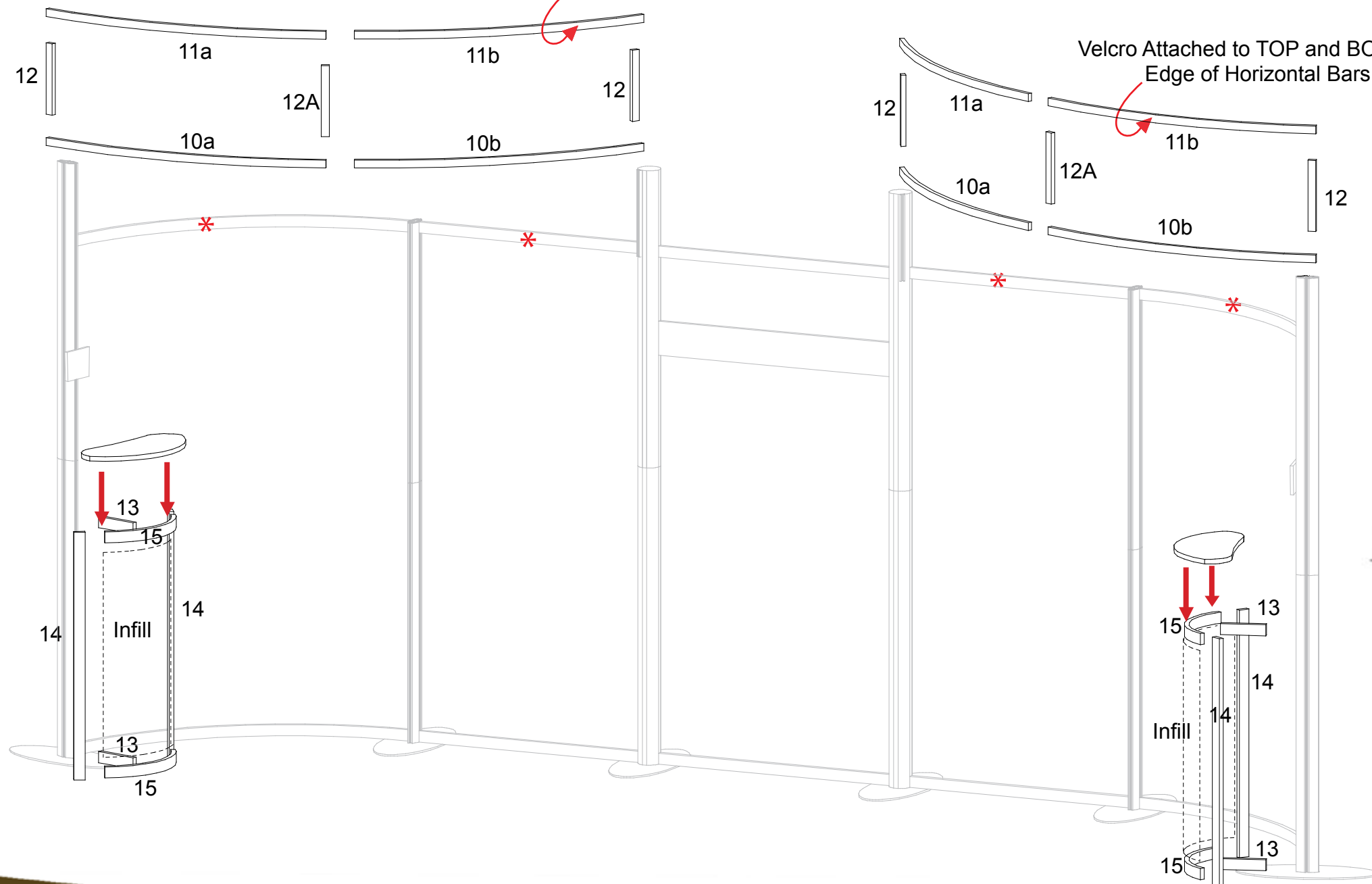
Item Number	Qty.	Description
10a/10b	2/2	48.4" h Curved Horizontal Extrusion
11a/11b	2/2	48.4" h Curved Horizontal Extrusion
12/12A	4/2	11.5" h Vertical Extrusion
13	4	7.25" Extrusion
14	4	40" h Vertical Extrusion
15	4	19.786" Curved Extrusion

Steps:

- 1) Connect header pieces [10a/10b, 11a/11b, 12 and 12A] together as shown.
Velcro side must face forward and must be attached on edges of frame.
- 2) Lock assembled header between vertical assemblies as shown.
- 3) Assemble extrusions [14 and 15] together, placing infill as shown.
- 4) Attach assembled Front panel to Backwall using extrusions [13] as shown.
- 5) Place Counter a top assembled base.

Velcro Attached to TOP and BOTTOM
Edge of Horizontal Bars

Note: Attaching Graphics
Attach Backwall Graphics to Velcro on the Top Edge of the Upper Horizontals and on the Bottom Edge of the Lower Horizontals



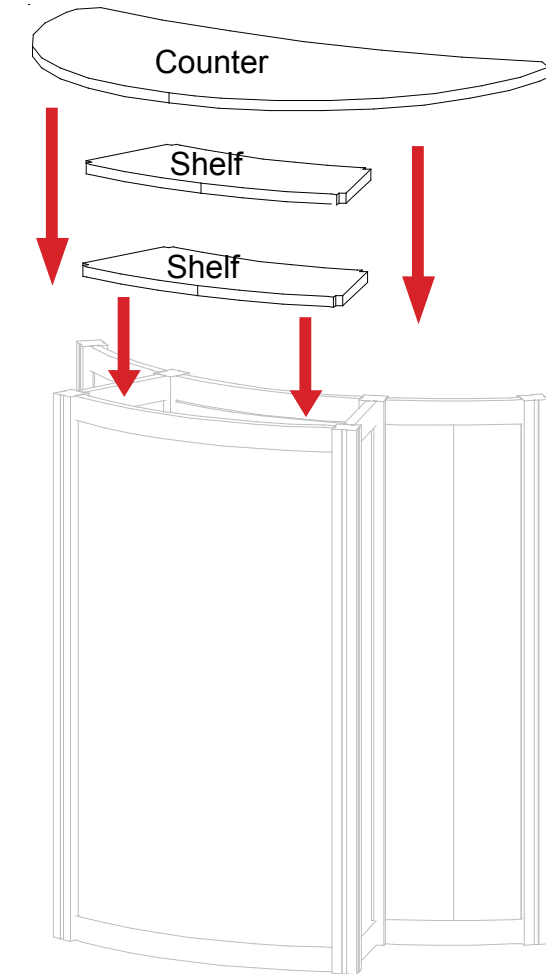
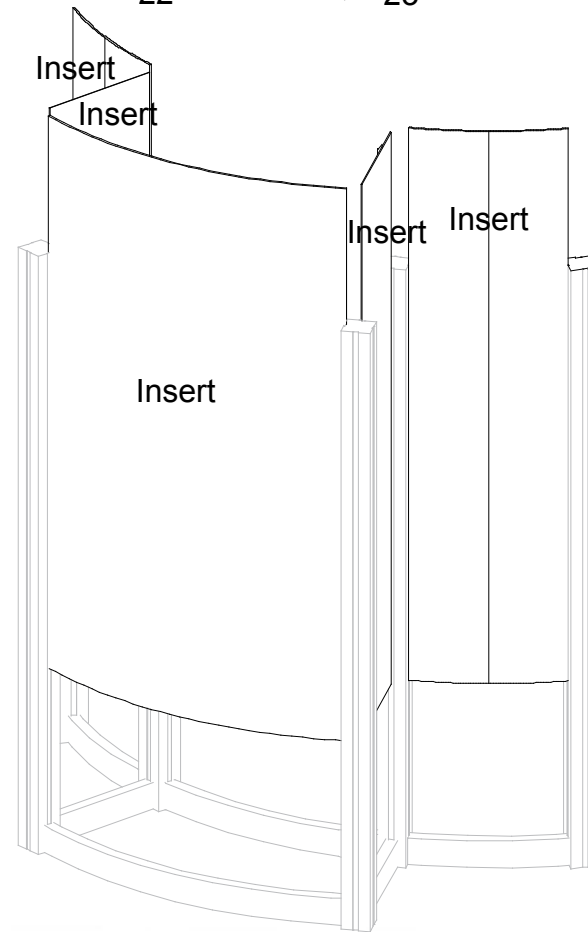
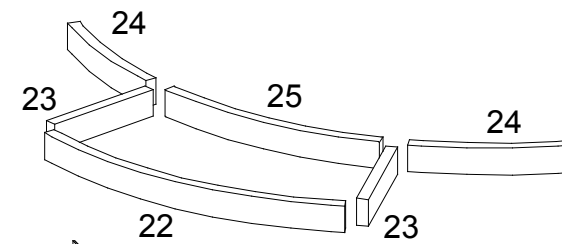
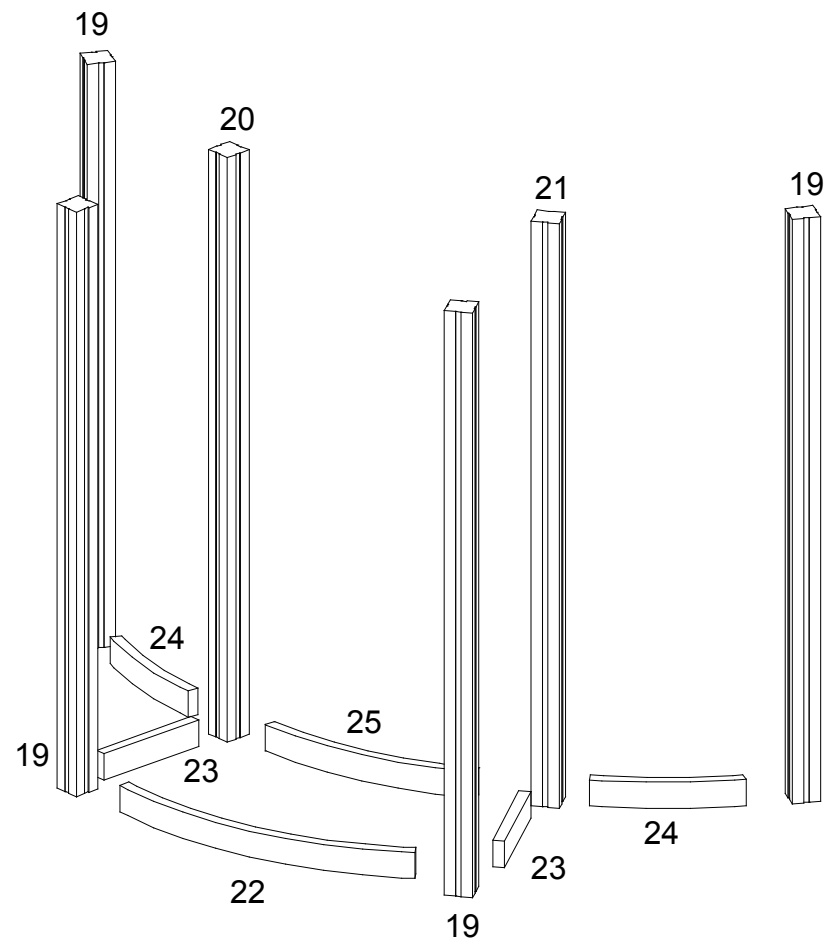
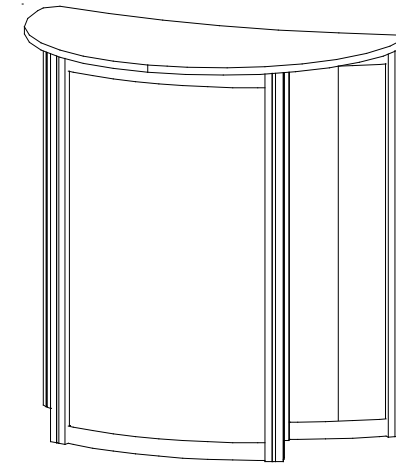
* LED Luminator Light Attachment Detail



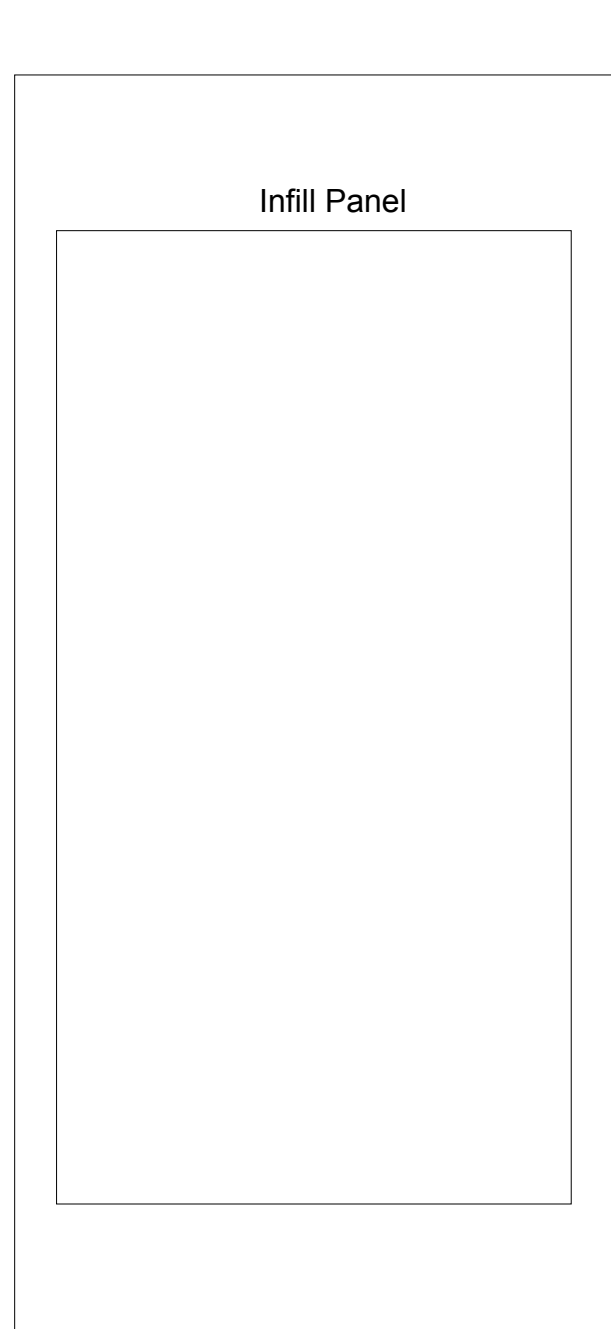
- Attach Clip to Light Before mounting to Top Beam
- There will be a small slit in the Top of the Graphic to Slide the Clip through to the channel

Part Number	Qty	Description
19	4	40"h Vertical extrusion
20	1	40"h Vertical extrusion w/ Door Stop
21	1	40"h Vertical extrusion w/ Door Hinges
22	2	21.9451" Curved Horizontal extrusion
23	4	8" Horizontal extrusion
24	2	15.4253" Curved Horizontal extrusion
25	4	9.9045" Curved Horizontal extrusion

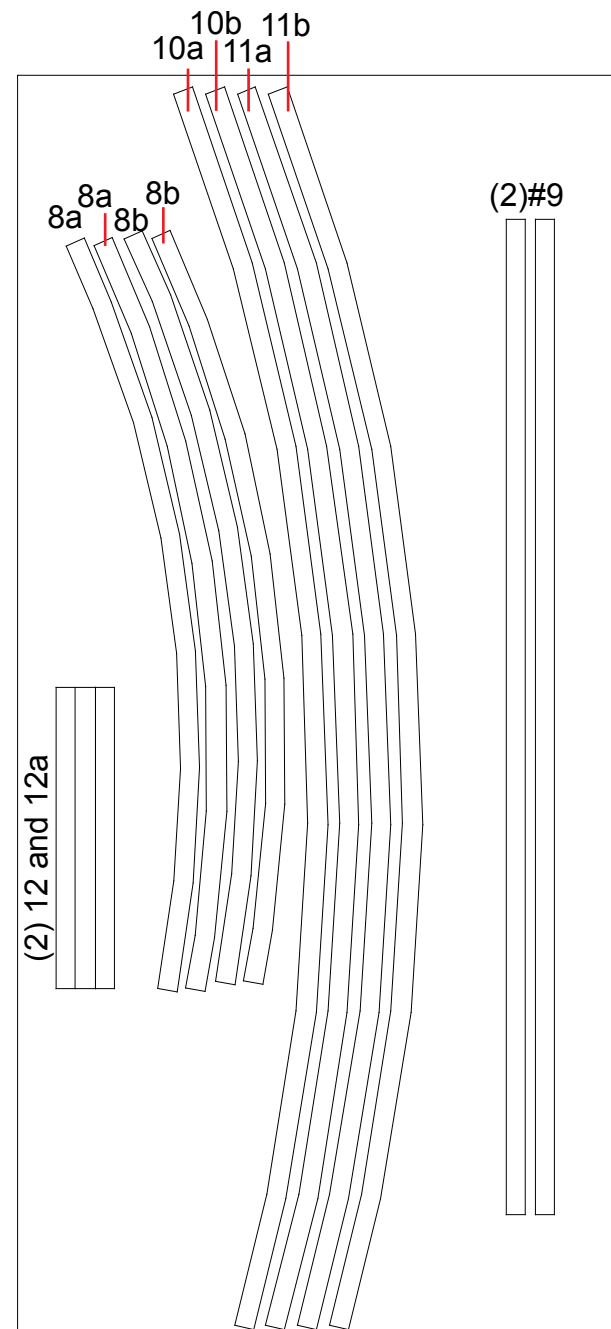
- Steps
- 1) Connect lower horizontal extrusions [22 thru 25] between vertical extrusions [19 thru 21] as shown.
 - 2) Place inserts and door into vertical extrusions.
 - 3) Connect upper horizontal extrusions [22 thru 25] between vertical extrusions [19 thru 21] and atop inserts.
 - 4) Place shelves atop pins located on vertical extrusions.
 - 5) Place counter atop assembled pedestal.



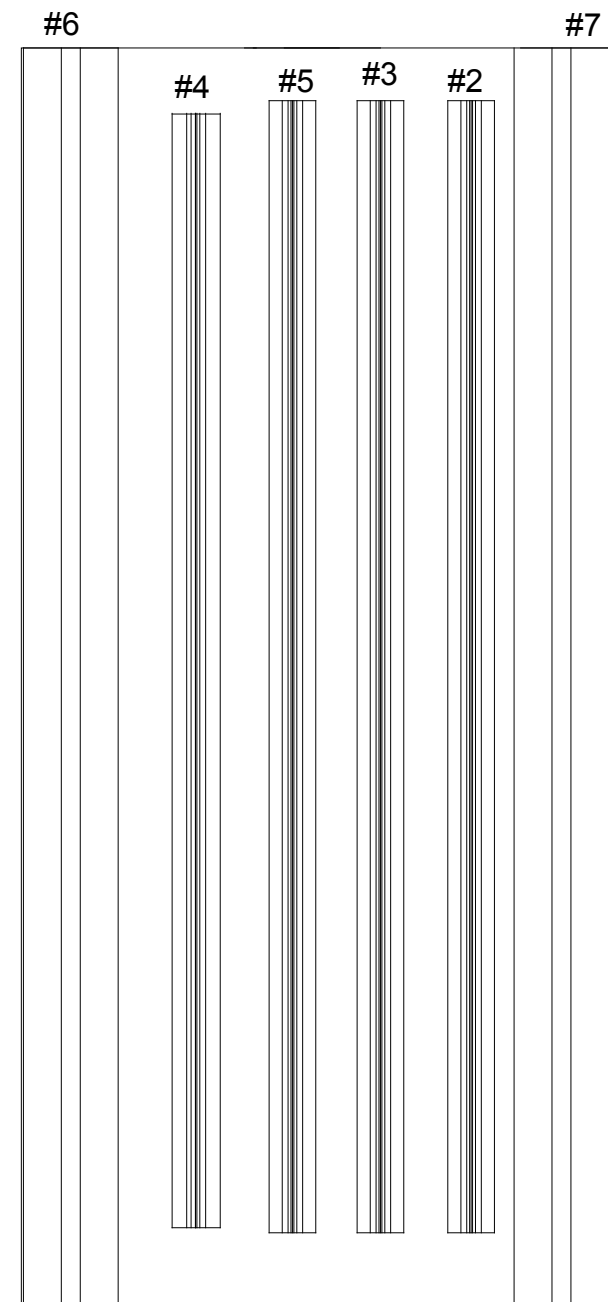
Top View of each Level



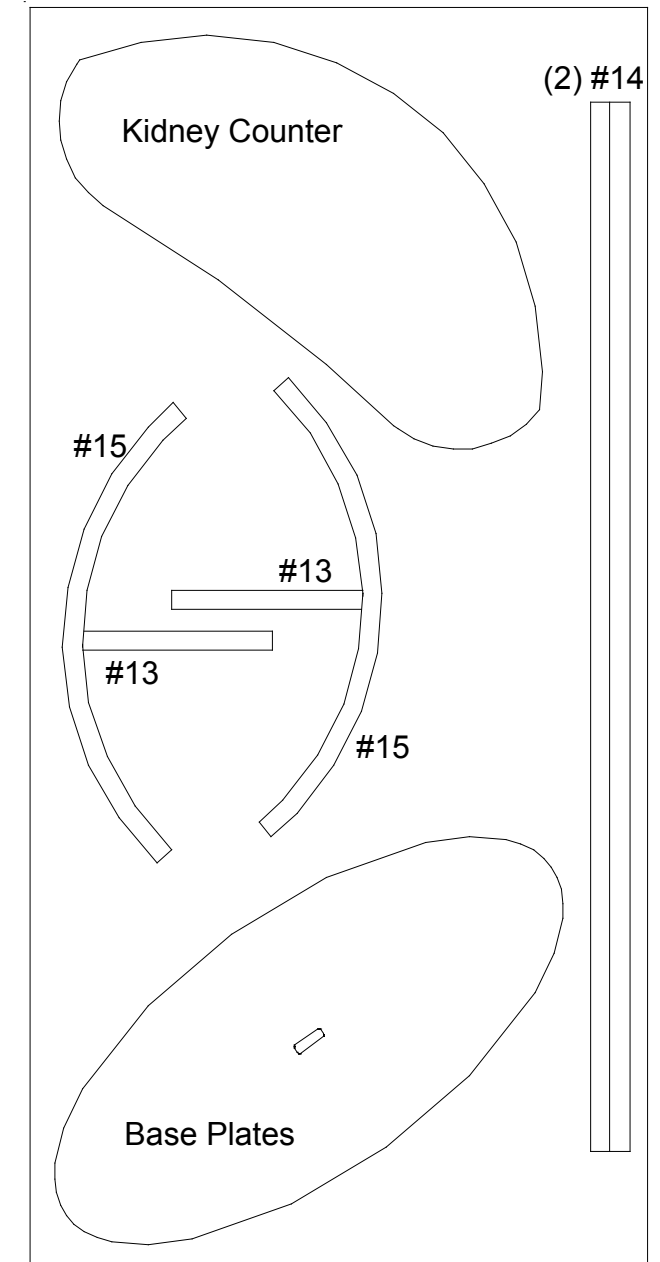
Level 1



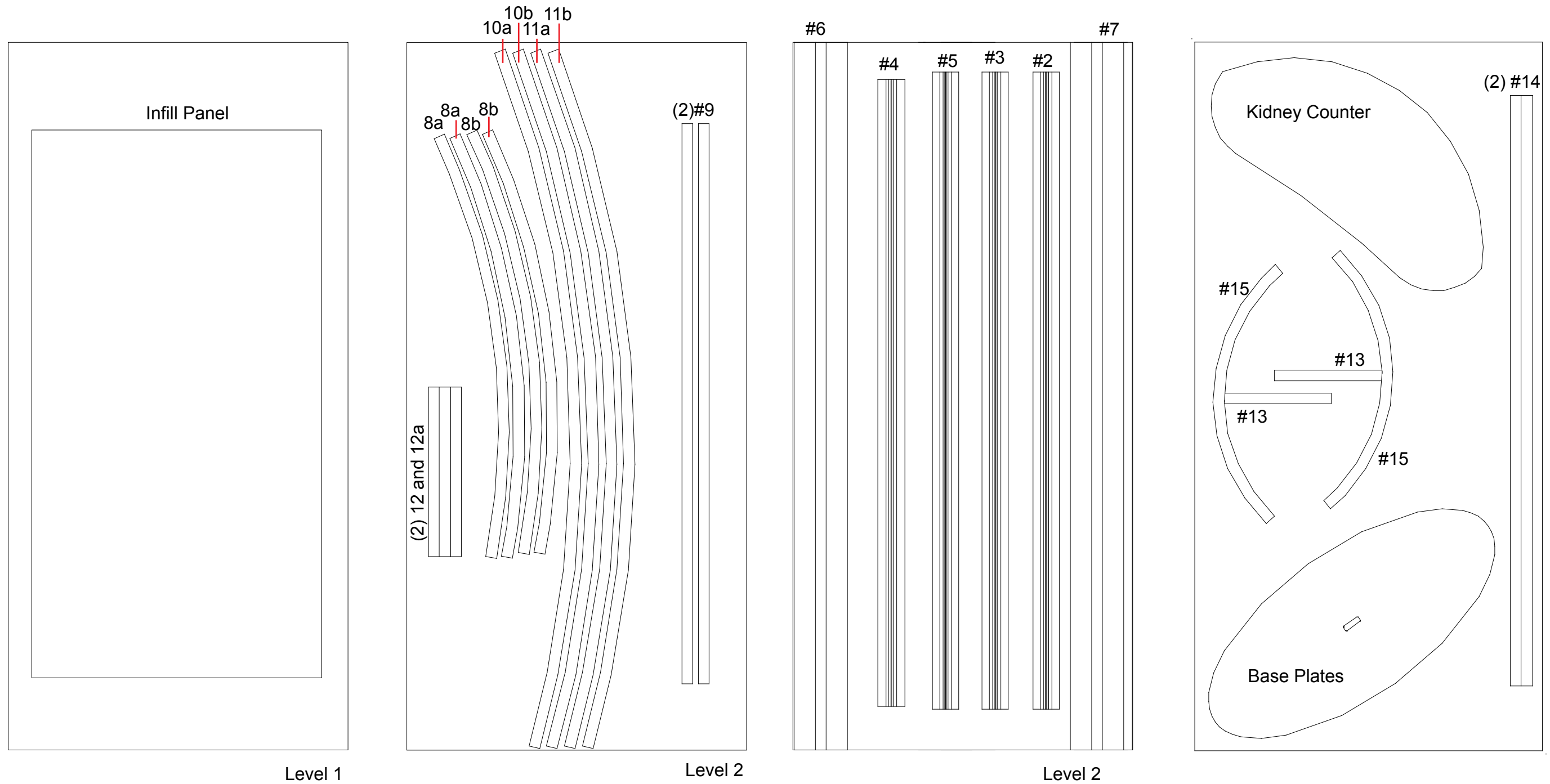
Level 2



Level 2



Top View of each Level

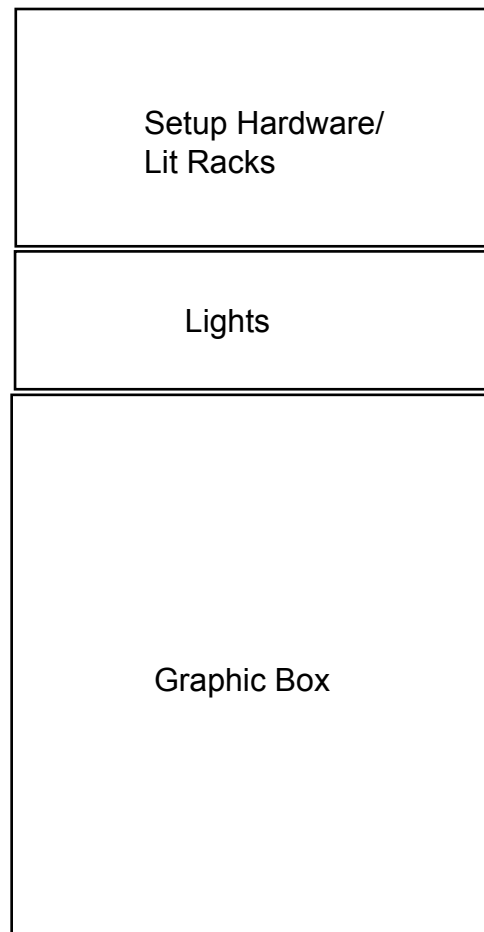


Setup Hardware/
Lit Racks

Lights

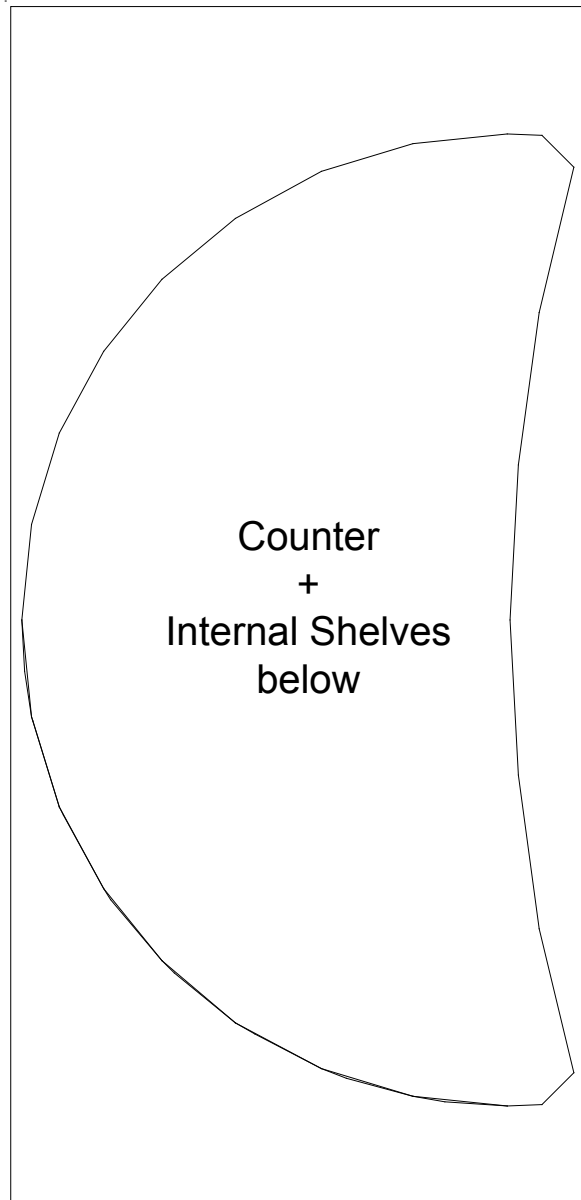
Graphic Box

Level 1

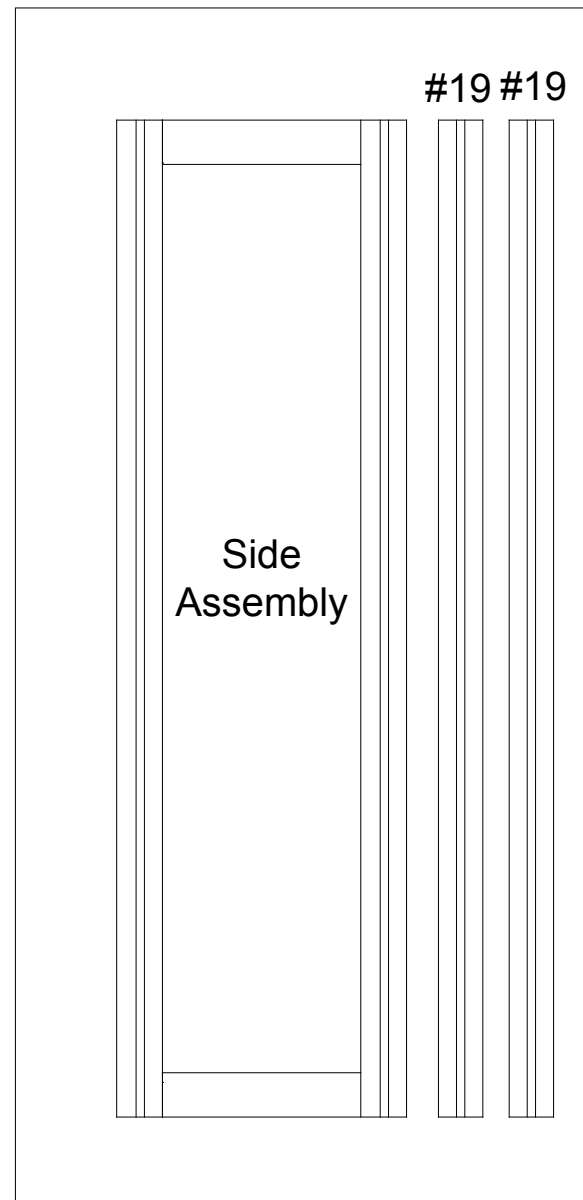


Level 1

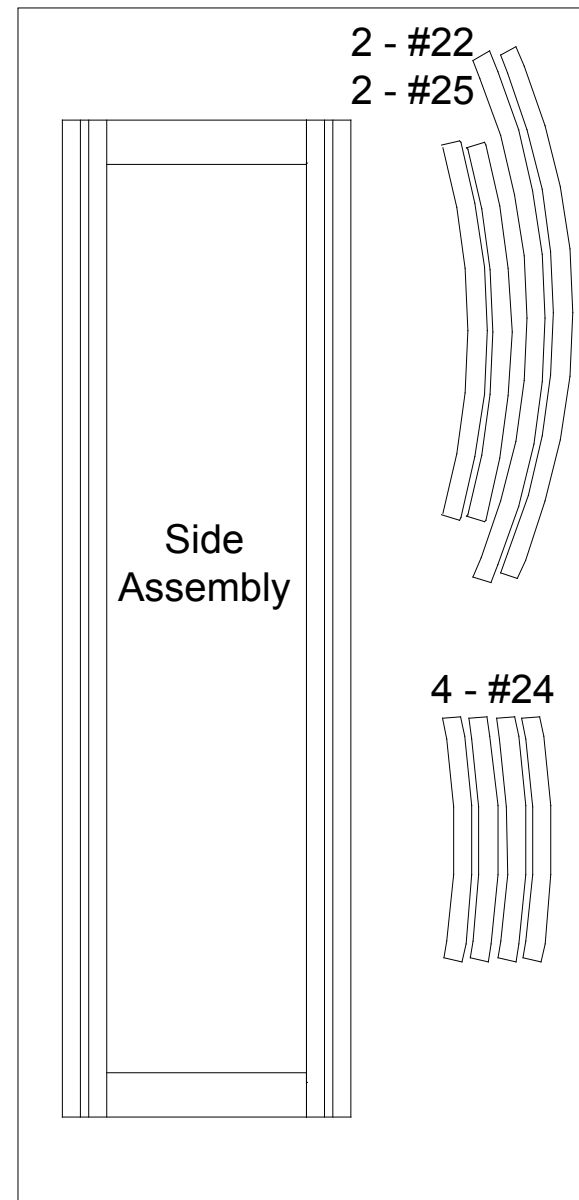
Top View of each Level



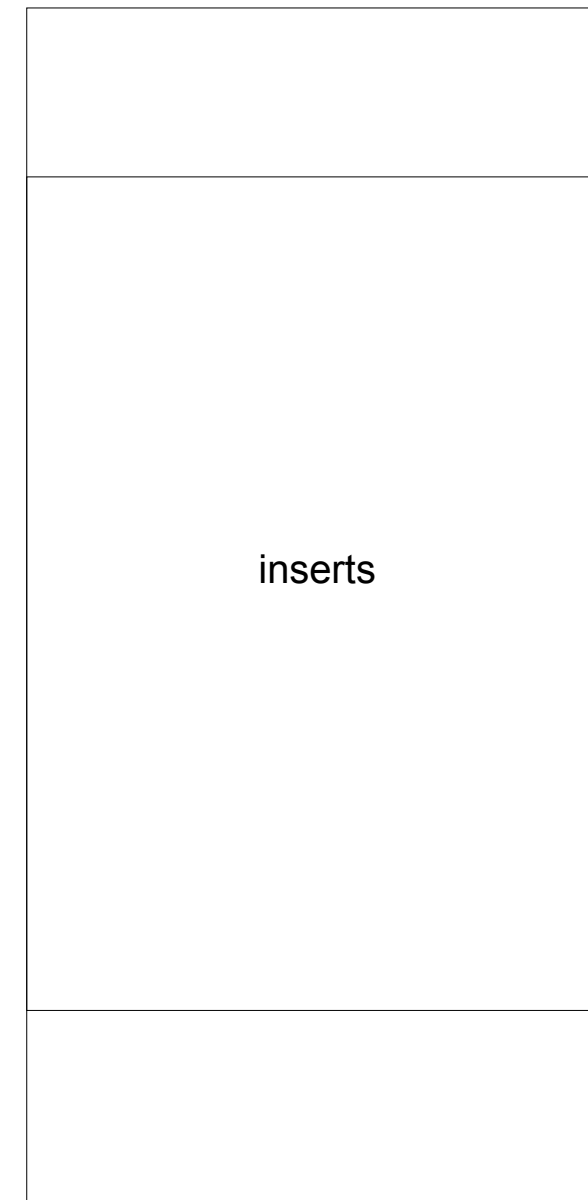
Level 1



Level 2



Level 3



Level 4

Top View of each Level

