

WHEN DISASSEMBLING ALUMINUM EXTRUSION, TIGHTEN ALL SETSCREWS AND LOCKS TO PREVENT LOSS DURING SHIPPING

visionary™ DESIGNS

Using Your Setup Instructions

The Visionary Designs Setup Instructions are created specifically for your configuration. They are laid out sequentially, including an exploded view of the entire display, and then a logical series of detailed steps to assemble the main structure and components. We encourage you to study the instructions **before** attempting to assemble your exhibit.

Each page reminds you to tighten the setscrews after disassembling your exhibit to prevent loss of the locks and setscrews (see below in RED). This is **VERY IMPORTANT**.

Cleaning and Packing Your Display

- 1) Use care when cleaning aluminum extrusion or acrylic inserts. Use only non-abrasive cleaners.
- 2) When cleaning laminate inserts or countertops, use mild cleansers and a soft material such as cotton.
- 3) Keep all display components away from extreme heat and long exposure to sunlight to avoid warping and fading.
- 4) Retain all packing material. It will make re-packing much easier and will reduce the likelihood of shipping damage.



The Tool

Most Visionary Designs exhibits can be assembled with the supplied Hex Key Tool. Occasionally, a flat head screwdriver may be required.



Typical Connection

Most horizontal extrusion connections have a patented expandable lock. This lock inserts into the groove of an opposing extrusion. Tightening the lock with the Hex Key Tool expands the lock and creates a strong positive connection.



Typical Connection (cont'd)



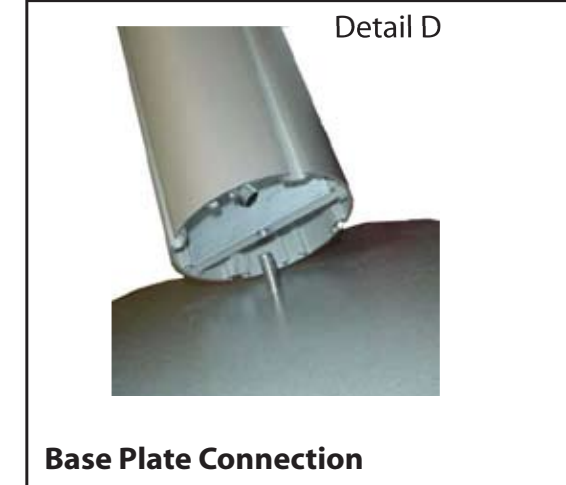
Numbered Label

Each extrusion contains a numbered label which corresponds with setup instructions. The label is located within a groove of the extrusion (when possible). With Visionary Designs the labels contain Black numbers unless otherwise specified.



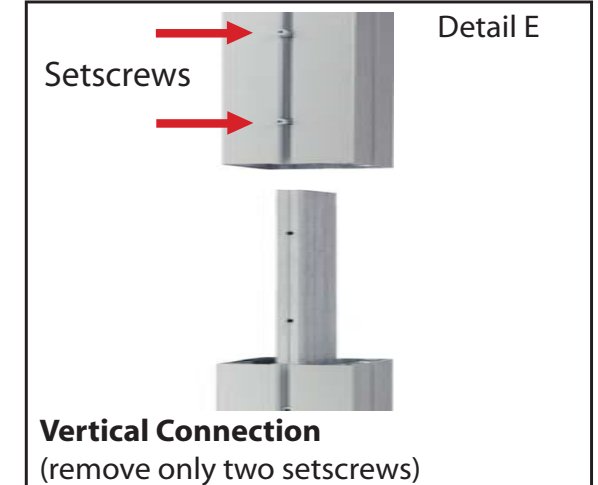
Horizontal Inline Connection (remove only one setscrew)

Remove only (1) setscrew when disassembling. Replace setscrew in extrusion after assembling it. Before packing, replace setscrew in extrusion to avoid losing it.



Base Plate Connection

Attach base plate to round or square vertical extrusion using the bolt provided. Be careful not to strip the threads.



Vertical Connection
(remove only two setscrews)

When vertical extrusions are packed in portable cases rather than crates or tubs, they must be broken down into smaller sections which then require assembly.

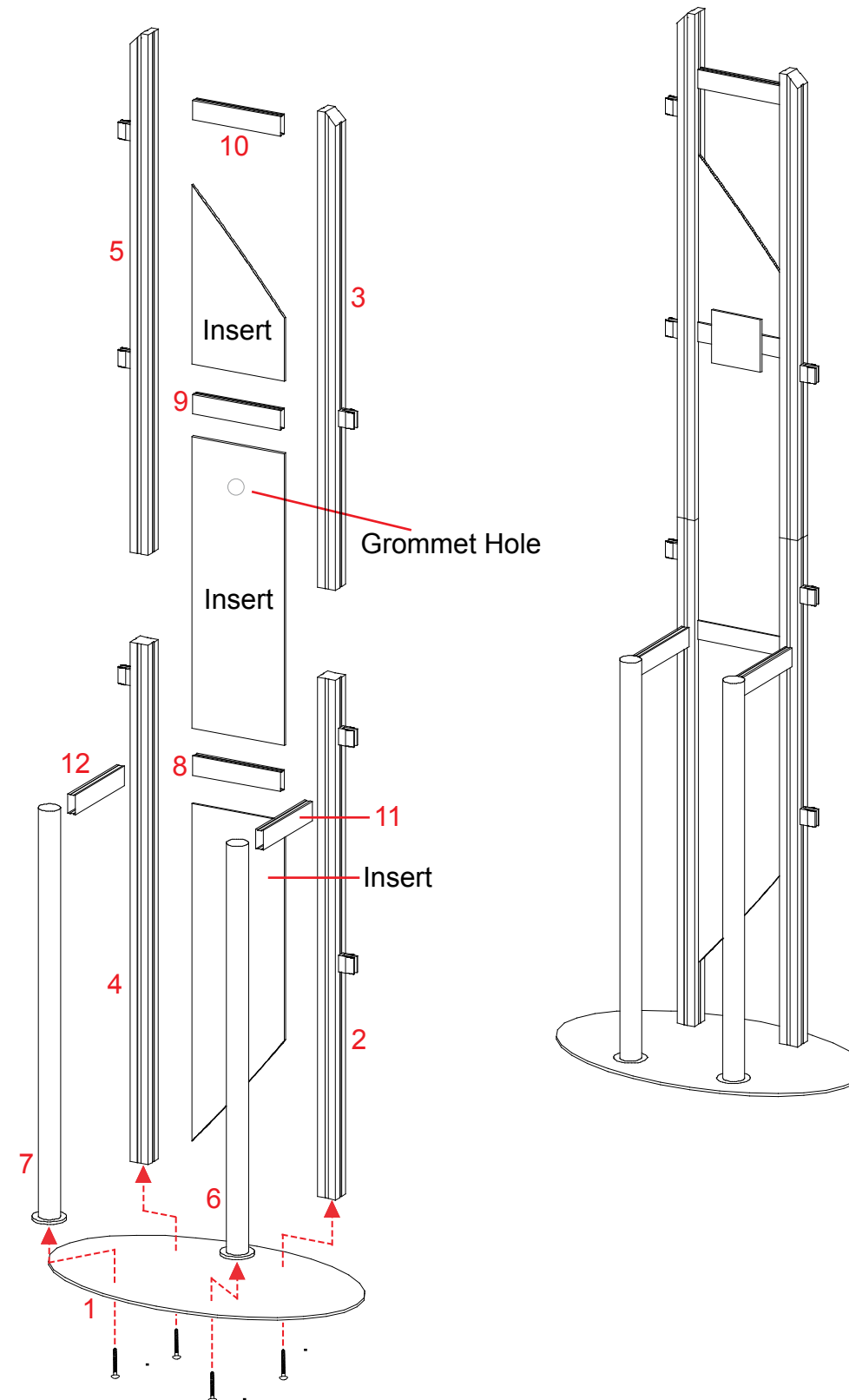
Remove only (2) setscrews when disassembling. Replace setscrews in extrusion after assembling it. Before packing, replace setscrews in extrusion to avoid losing them.

WHEN DISASSEMBLING ALUMINUM EXTRUSION, TIGHTEN ALL SETSCREWS AND LOCKS TO PREVENT LOSS DURING SHIPPING

Item	Qty.	Description
1	1	Oval Base Plate
2	1	48" Square Vertical Extrusion
3	1	44" Square Vertical Extrusion w/ Angle Cut at Top
4	1	48" Square Vertical Extrusion
5	1	48" Square Vertical Extrusion w/ Angle Cut at Top
6	1	40" Round Vertical Extrusion
7	1	40" Round Vertical Extrusion
8	1	8.7470" Horizontal Extrusion
9	1	8.7470" Horizontal Extrusion
10	1	8.7470" Horizontal Extrusion
11	1	8.7470" Horizontal Extrusion
12	1	8.7470" Horizontal Extrusion

Steps:

- 1) Attach vertical extrusions [2, 4, 6, & 7] to base plate [1], refer to General Instructions Sheet Detail D.
- 2) Connect vertical extrusions [3 & 5] atop [2 & 4] and tighten into place.
- 3) Attach horizontal extrusions [11 & 12] between vertical extrusions [2 & 6] and [4 & 7] as shown.
- 4) Slide lower graphic insert into groove between vertical assemblies [2/3 & 4/5] and rest atop stopper located in vertical extrusion [4]. Attach horizontal extrusion [8] atop insert and between extrusions [2 & 4]. Repeat with remaining inserts and extrusions [9 & 10].



WHEN DISASSEMBLING ALUMINUM EXTRUSION, TIGHTEN ALL SETSCREWS AND LOCKS TO PREVENT LOSS DURING SHIPPING

Item	Qty.	Description
13	1	6.75" h Horizontal Extrusion

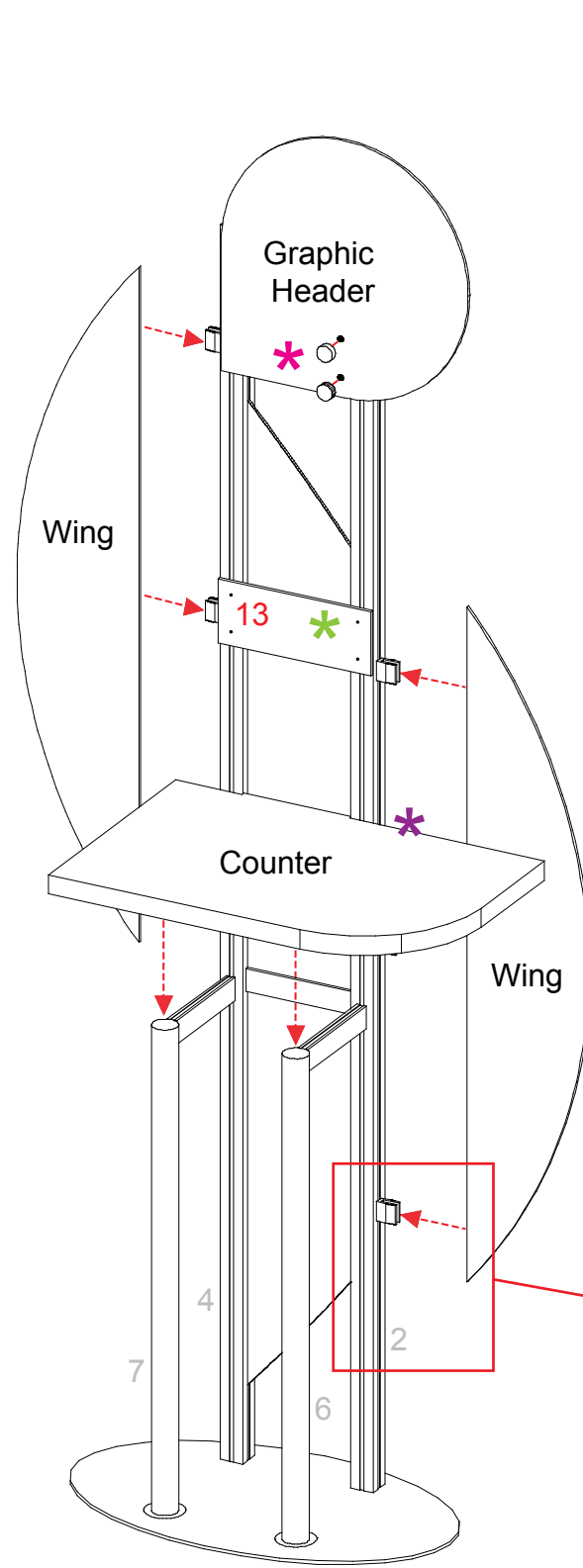
Steps:

- 1) Attach counter to atop post [6 & 7] using hardware provided. Refer to *Counter Top Attachment* detail.
- 2) Attach wings using A10 clamps as shown.
- 3) Attach graphic header as shown. Refer to *Graphic Attachment* detail.
- 4) Attach Monitor Mount. Refer to *Monitor Mount Attachment* detail.

Plate to Post Attachment Example

Slide V4 connector into groove of vertical extrusion. Tighten set screw to secure V4 connector in place at correct elevation. Bolt through hole of horizontal extrusion into threaded hole of V4 connector. Twist and tighten bolt to secure in place.

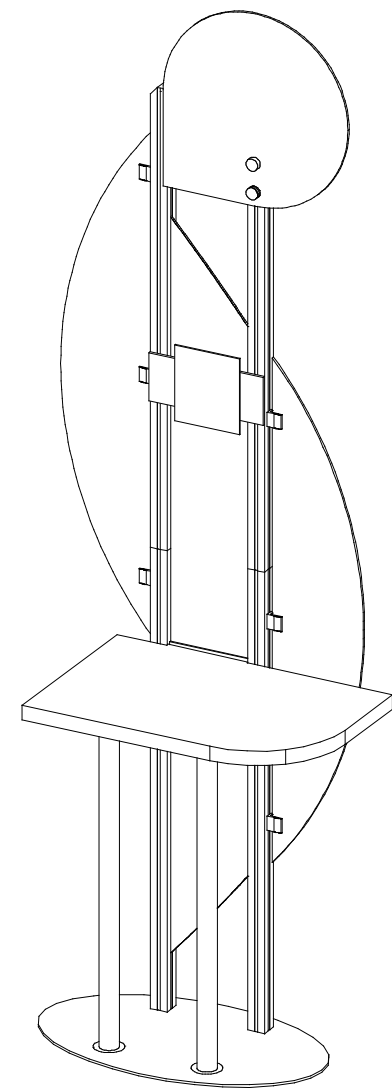
*** Counter Top Attachment**
 Insert screws located on underside of counter into holes on flange plate and secure with wing nuts.



*** Graphic Attachment**

Slide connector into groove of extrusion and secure graphic to standoffs using screw caps.

*****Note**
 Use grey wire cover provided to run wire behind vertical extrusion



*** Monitor Mount Attachment**

Step #1
 Attach monitor mount to horizontal extrusion using bolts and wing nuts.

Step #2
 Attach assembled monitor mount with extrusion [13] to verticals using bolts. Refer to *Plate to Post Attachment Example* detail (above).

Example of A10 Clamp Attachment

Slide connector on back of A10 clamp into groove of extrusion.

When desired location is found, tighten set screw to secure.

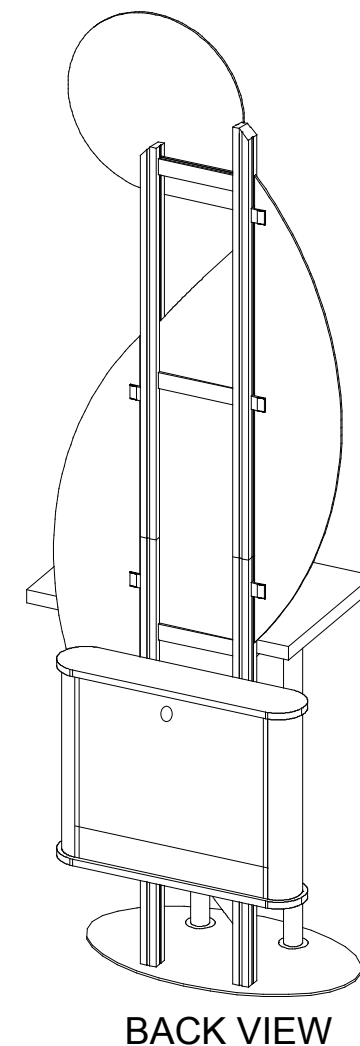
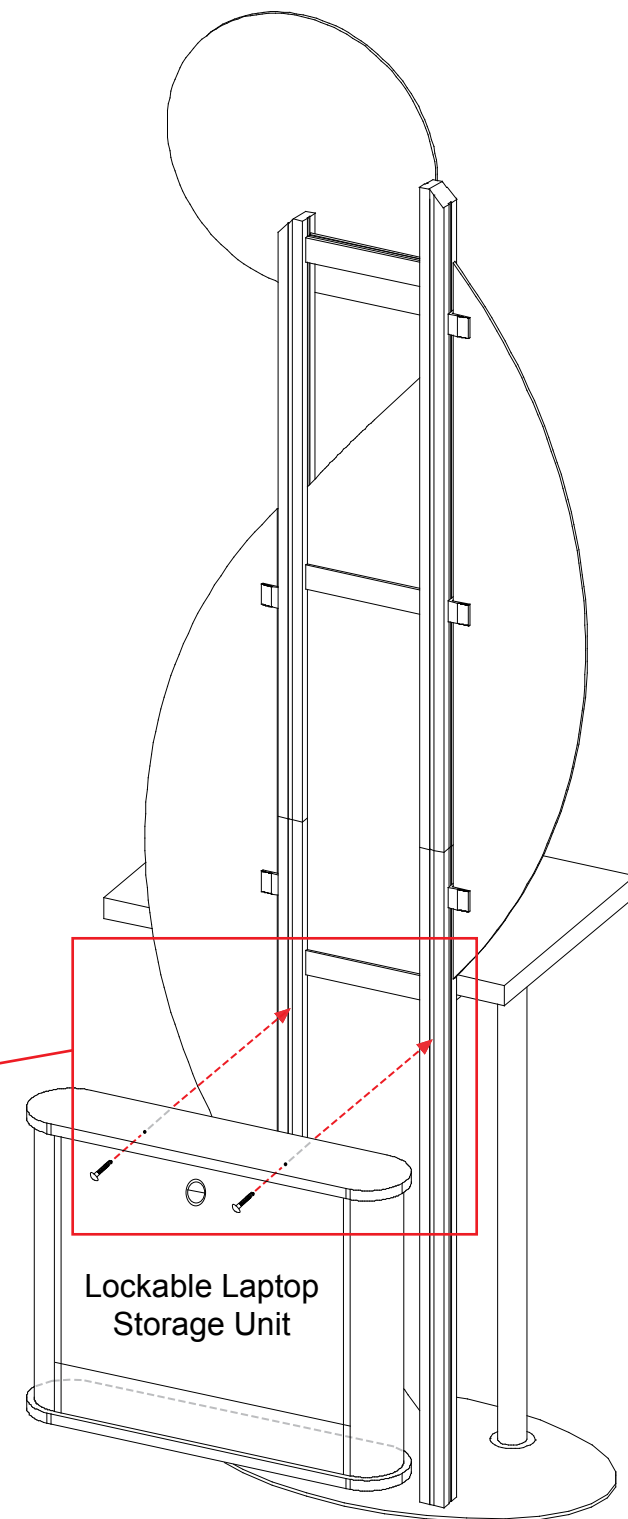
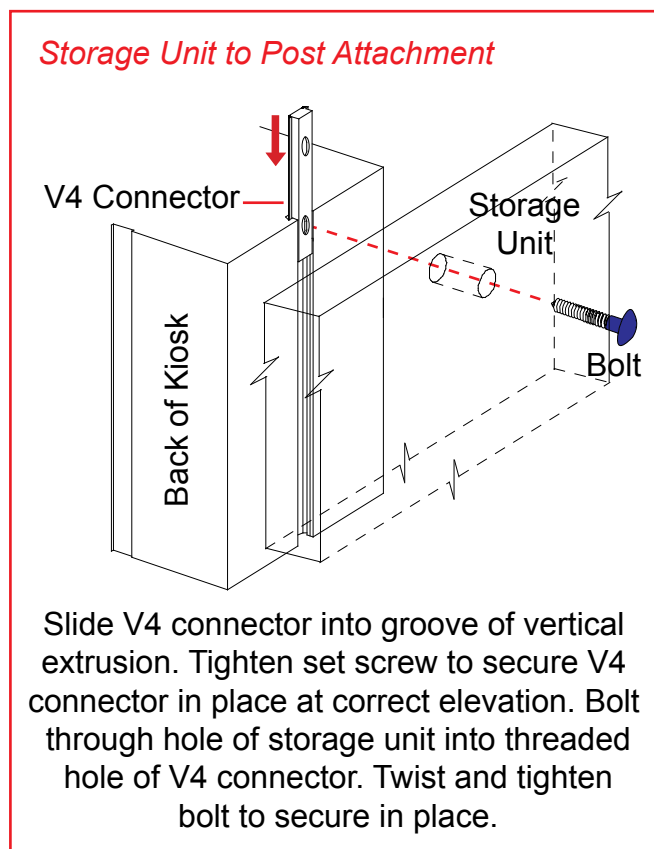
Tighten knob to secure wing in place.

WHEN DISASSEMBLING ALUMINUM EXTRUSION, TIGHTEN ALL SETSCREWS AND LOCKS TO PREVENT LOSS DURING SHIPPING

Steps:

- 1) Attach lockable laptop storage unit to back of Kiosk as shown.
Bolt from inside of storage unit. Storage unit door must be open.
Refer to *Storage Unit to Post Attachment* detail.

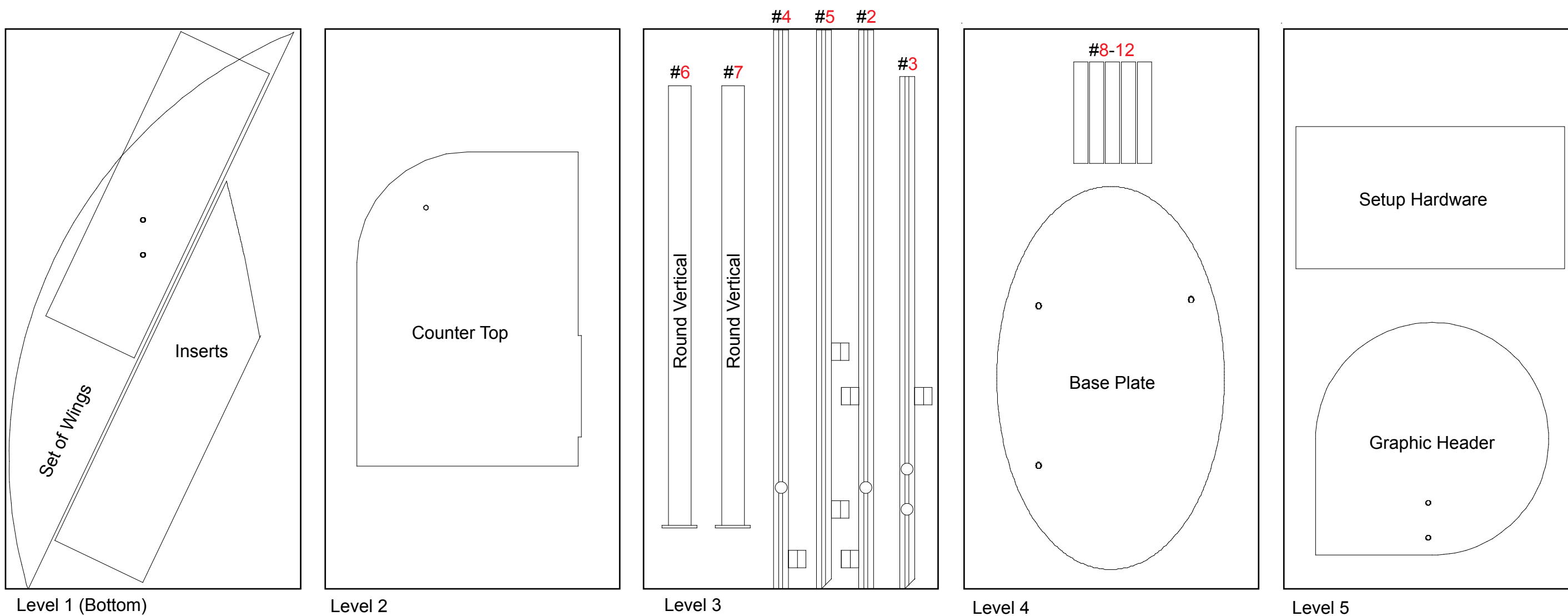
BACK VIEW



WHEN DISASSEMBLING ALUMINUM EXTRUSION, TIGHTEN ALL SETSCREWS AND LOCKS TO PREVENT LOSS DURING SHIPPING

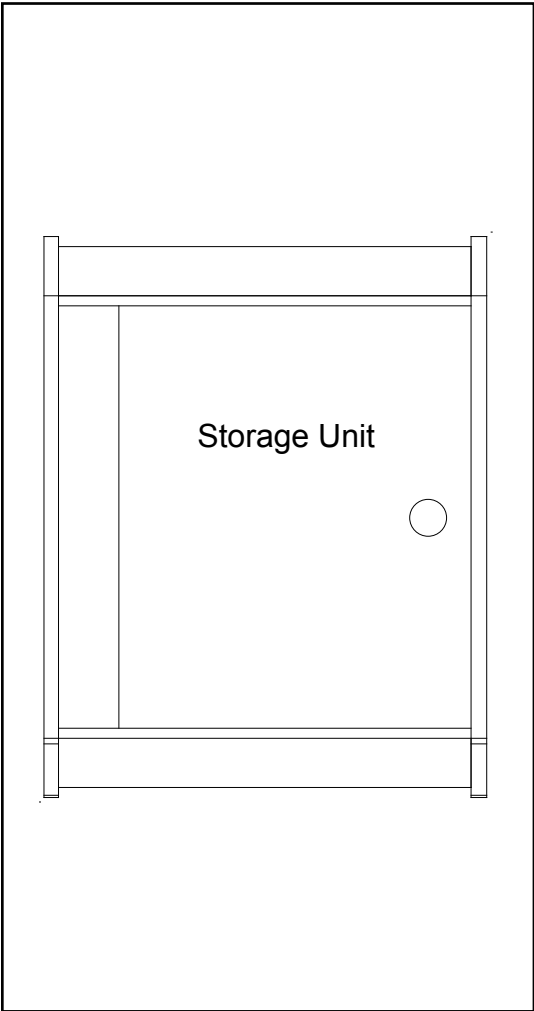
33549 Modified MOD-1272 Workstation Components

Top View of Each Level



WHEN DISASSEMBLING ALUMINUM EXTRUSION, TIGHTEN ALL SETSCREWS AND LOCKS TO PREVENT LOSS DURING SHIPPING

Top View of Each Level



Level 1 (Bottom)

WHEN DISASSEMBLING ALUMINUM EXTRUSION, TIGHTEN ALL SETSCREWS AND LOCKS TO PREVENT LOSS DURING SHIPPING