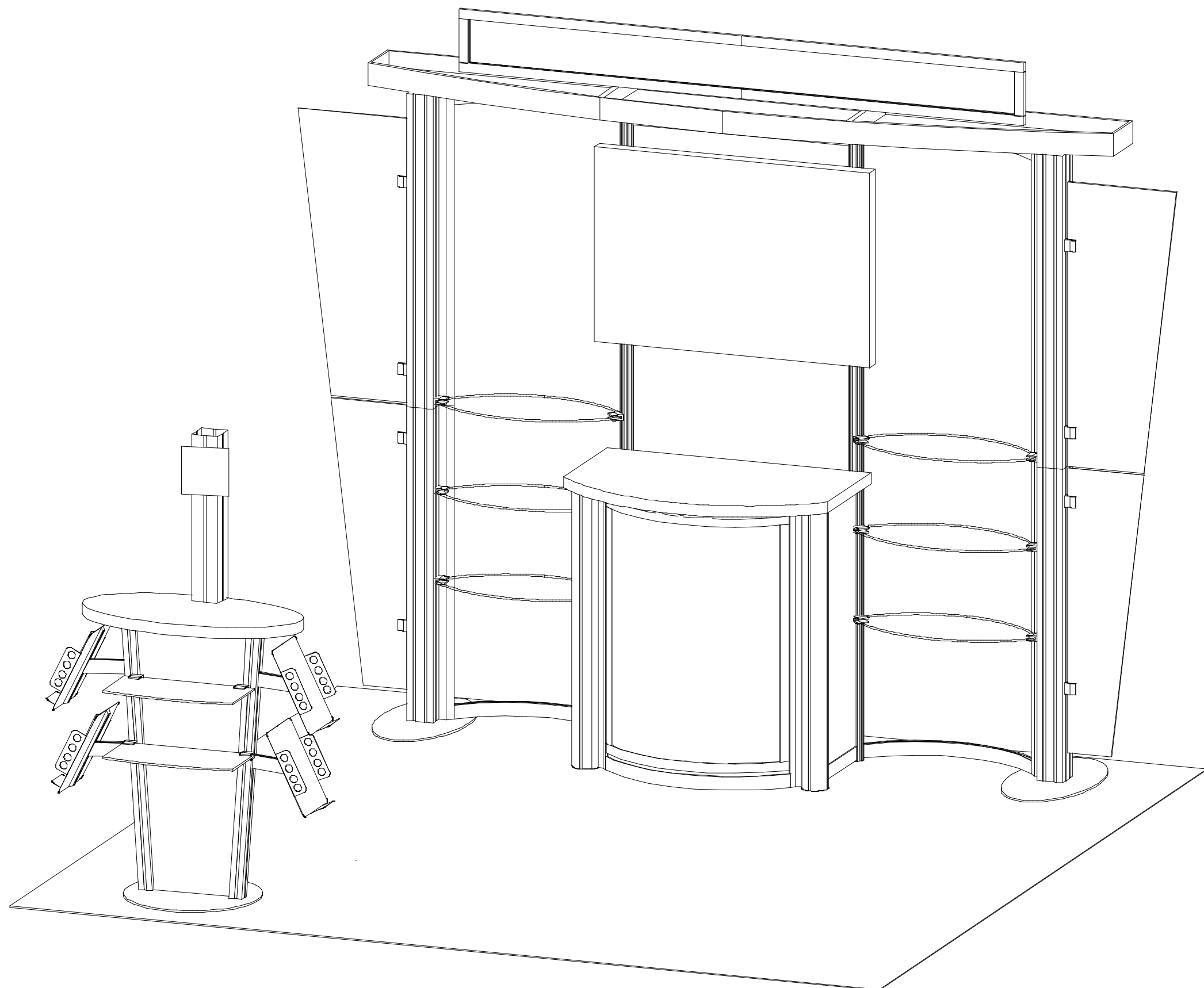
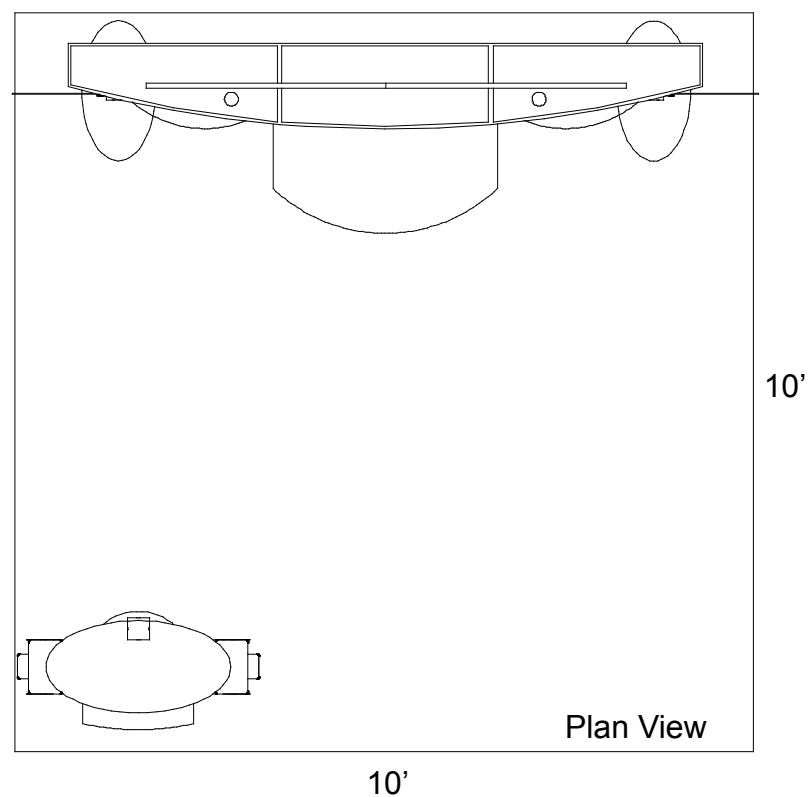


visionary[™]
DESIGNS



WHEN DISASSEMBLING ALUMINUM EXTRUSION, TIGHTEN ALL SETSCREWS AND LOCKS TO PREVENT LOSS DURING SHIPPING

visionary™ DESIGNS

Using Your Setup Instructions

The Visionary Designs Setup Instructions are created specifically for your configuration. They are laid out sequentially, including an exploded view of the entire display, and then a logical series of detailed steps to assemble the main structure and components. We encourage you to study the instructions **before** attempting to assemble your exhibit.

Each page reminds you to tighten the setscrews after disassembling your exhibit to prevent loss of the locks and setscrews (see below in RED). This is **VERY IMPORTANT**.

Cleaning and Packing Your Display

- 1) Use care when cleaning aluminum extrusion or acrylic inserts. Use only non-abrasive cleaners.
- 2) When cleaning laminate inserts or countertops, use mild cleansers and a soft material such as cotton.
- 3) Keep all display components away from extreme heat and long exposure to sunlight to avoid warping and fading.
- 4) Retain all packing material. It will make re-packing much easier and will reduce the likelihood of shipping damage.



The Tool

Most Visionary Designs exhibits can be assembled with the supplied Hex Key Tool. Occasionally, a flat head screwdriver may be required.



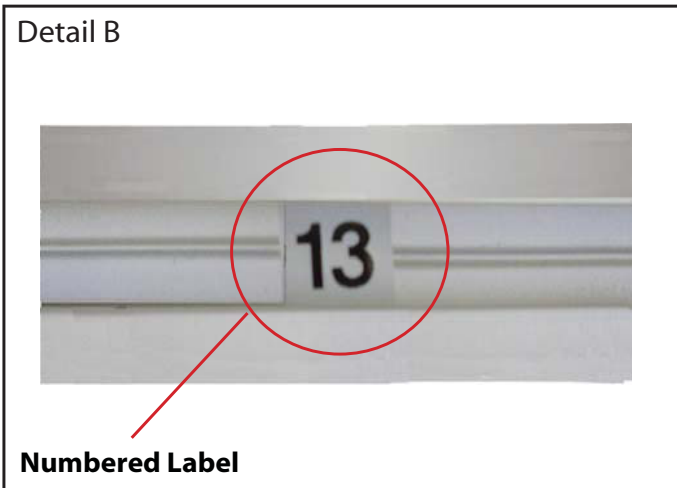
Detail A

Typical Connection

Most horizontal extrusion connections have a patented expandable lock. This lock inserts into the groove of an opposing extrusion. Tightening the lock with the Hex Key Tool expands the lock and creates a strong positive connection.



Typical Connection (cont'd)



Detail B

Numbered Label

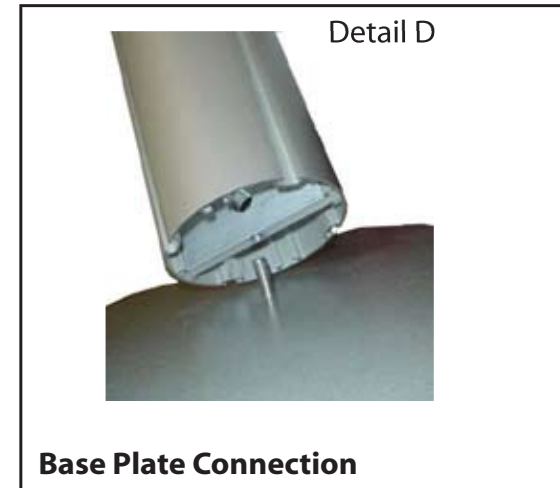
Each extrusion contains a numbered label which corresponds with setup instructions. The label is located within a groove of the extrusion (when possible). With Visionary Designs the labels contain Black numbers unless otherwise specified.



Detail C

Horizontal Inline Connection (remove only one setscrew)

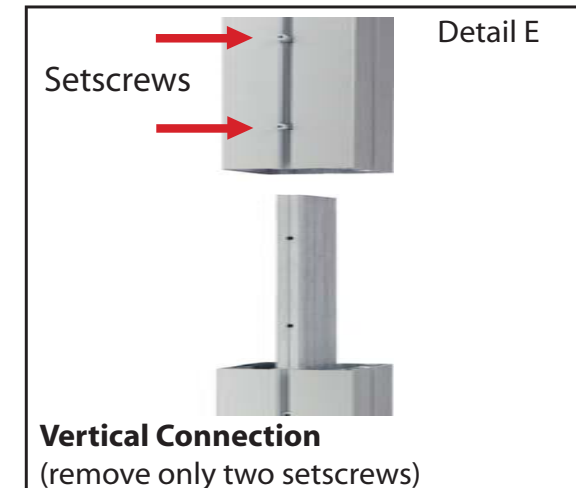
Remove only (1) setscrew when disassembling. Replace setscrew in extrusion after assembling it. Before packing, replace setscrew in extrusion to avoid losing it.



Detail D

Base Plate Connection

Attach base plate to round or square vertical extrusion using the bolt provided. Be careful not to strip the threads.



Detail E

Vertical Connection

(remove only two setscrews)

When vertical extrusions are packed in portable cases rather than crates or tubs, they must be broken down into smaller sections which then require assembly.

Remove only (2) setscrews when disassembling. Replace setscrews in extrusion after assembling it. Before packing, replace setscrews in extrusion to avoid losing them.

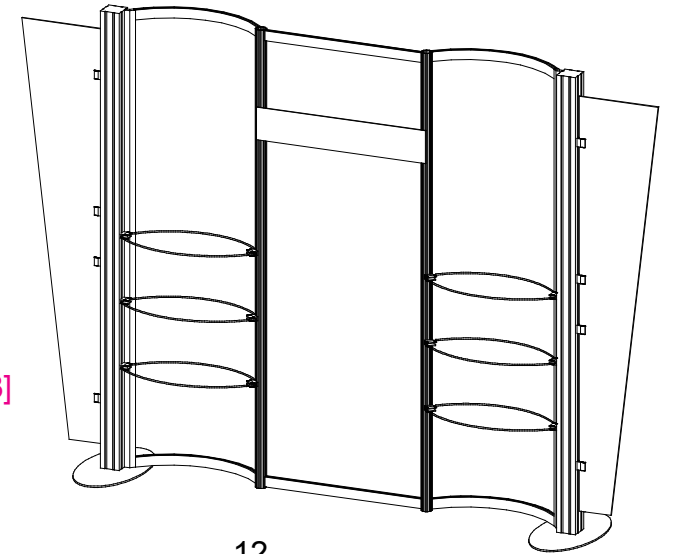
WHEN DISASSEMBLING ALUMINUM EXTRUSION, TIGHTEN ALL SETSCREWS AND LOCKS TO PREVENT LOSS DURING SHIPPING

866.652.2100

Item	Qty.	Description
1	2	Oval Base Plate
2	1	83.75" h Square Vertical Extrusion
3	1	83.75" h Square Vertical Extrusion
4	1	84" h Square Vertical Extrusion
5	1	84" h Vertical Extrusion
8	1	83.75" h Angled Vertical Extrusion
9	1	83.75" h Angled Vertical Extrusion
10	2	26.9449" Curved Horizontal Extrusion
11	1	29.7770" w Horizontal Extrusion
12	2	26.9449" Curved Horizontal Extrusion
13	1	29.7770" w Horizontal Extrusion
14	1	32.2590" w Horizontal Plate

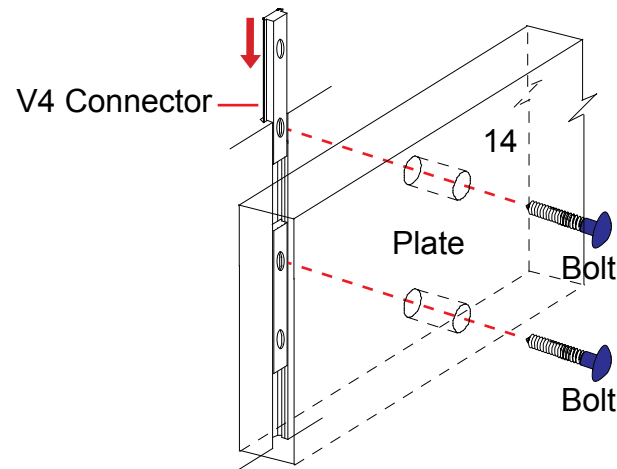
Steps:

- 1) Attach oval base plates [1] to vertical extrusions [2 & 3].
- 2) Attach angled vertical extrusions [8 & 9] to verticals [2 & 3].
Refer to *V10 Pressure Screw Attachment* detail.
- 3) Attach upper and lower curved horizontal extrusions [10 & 12] and extrusions [11 & 13] between verticals [2, 4, 5, & 3]. Note: Place infills between horizontal and vertical extrusions as shown.
- 4) Attach horizontal plate [14] to vertical extrusions [4 & 5] using V4's.
Refer to *Plate to Post Attachment* detail.
- 5) Attach shelves between verticals [2 & 4] and [5 & 3] with A10 clamps.
Refer to *Example of A10 Clamp Attachment* detail.
- 5) Attach wings to verticals [2 & 3] with A10 clamps.
Refer to *Example of A10 Clamp Attachment* detail.



****Note: Keep vertical extrusions [2 & 8] and [9 & 3] assembled when shipping.**

*** Plate to Post Attachment**

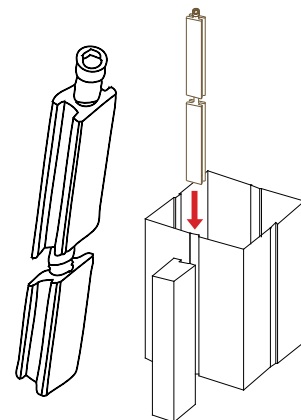


Slide V4 connector into groove of vertical extrusion. Tighten set screw to secure V4 connector in place at correct elevation. Bolt through hole of horizontal plate into threaded hole of V4 connector. Twist and tighten bolt to secure in place.

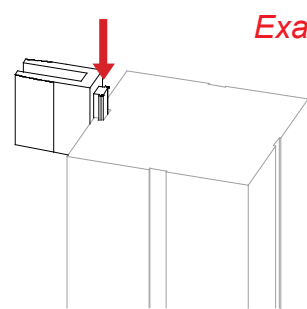
*** V10 Pressure Screw Attachment**



Slide V10 pressure screw between grooves of extrusions. Tighten setscrew to secure pressure in place.

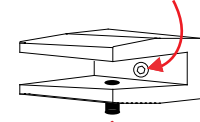


Example of A10 Clamp Attachment

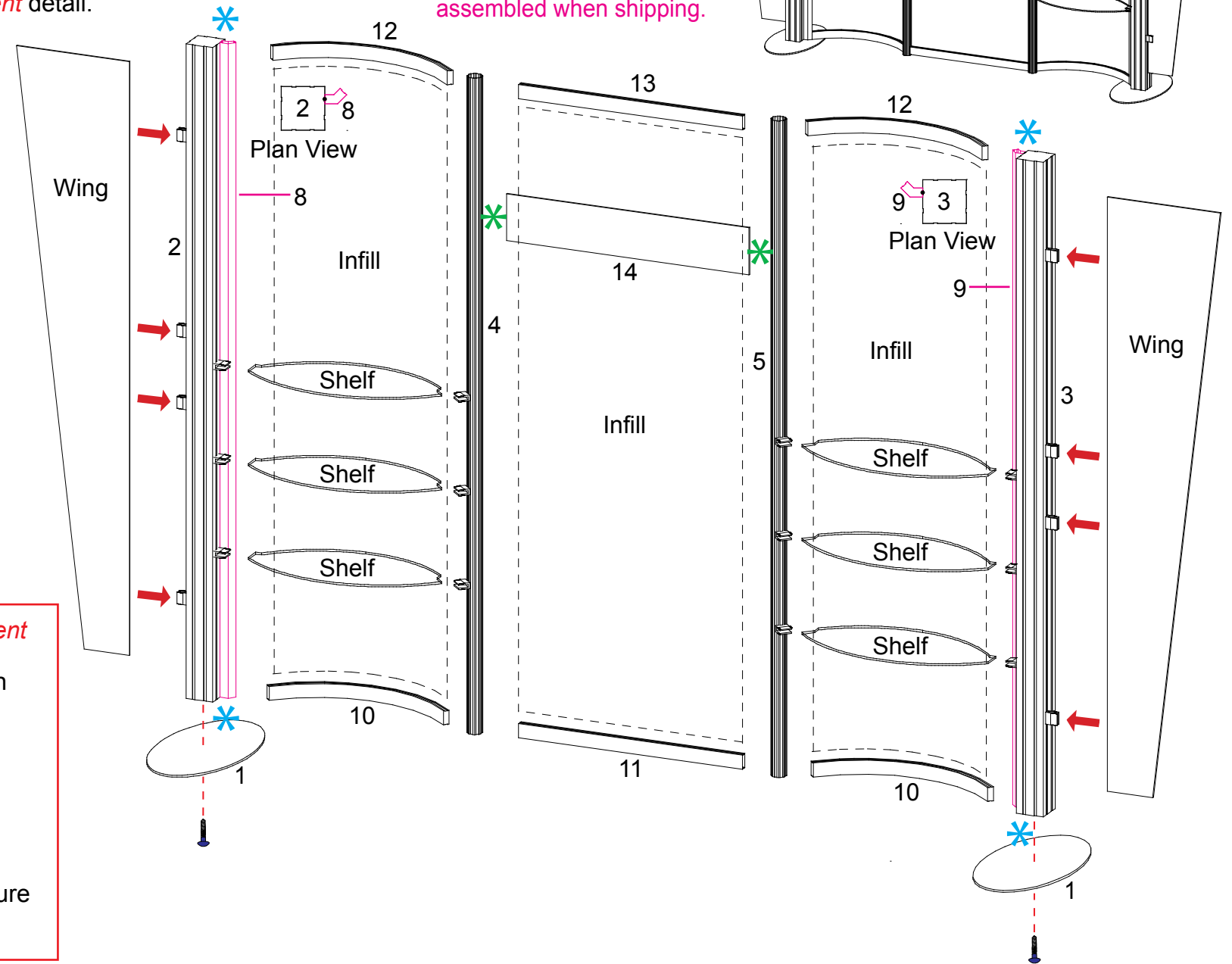


Slide connector on back of A10 clamp into groove of extrusion.

When desired location is found, tighten set screw to secure.



Tighten knob to secure shelf/wing in place.



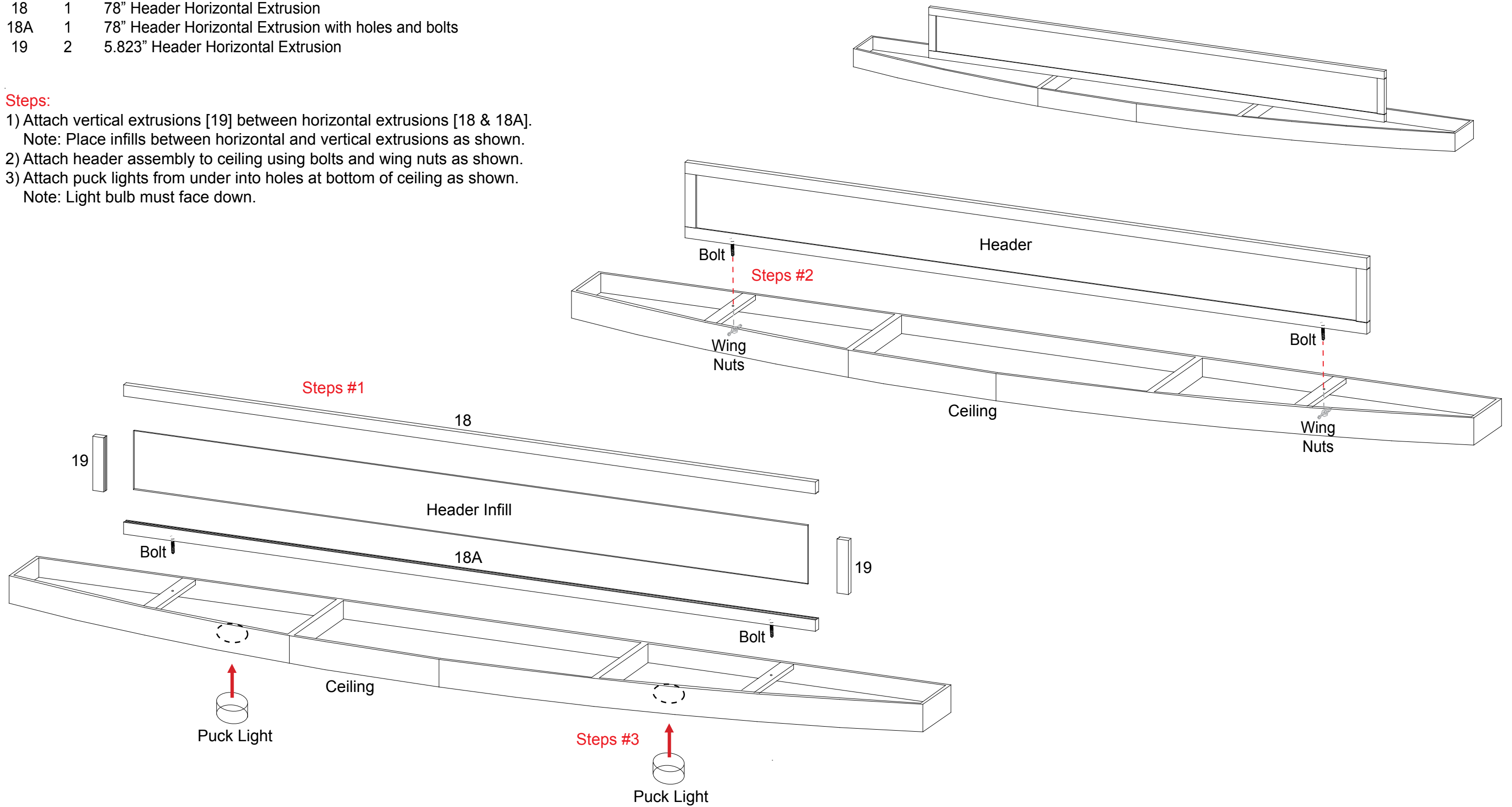
WHEN DISASSEMBLING ALUMINUM EXTRUSION, TIGHTEN ALL SETSCREWS AND LOCKS TO PREVENT LOSS DURING SHIPPING

866.652.2100

Item	Qty.	Description
18	1	78" Header Horizontal Extrusion
18A	1	78" Header Horizontal Extrusion with holes and bolts
19	2	5.823" Header Horizontal Extrusion

Steps:

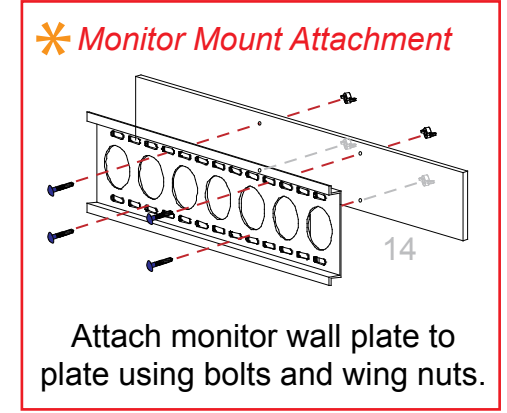
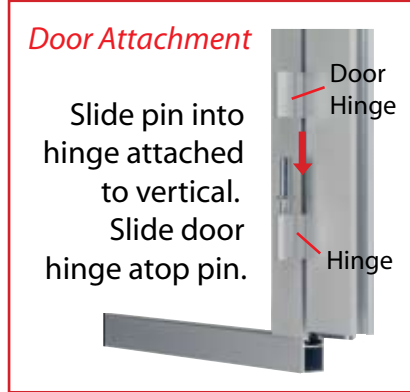
- 1) Attach vertical extrusions [19] between horizontal extrusions [18 & 18A].
 Note: Place infills between horizontal and vertical extrusions as shown.
- 2) Attach header assembly to ceiling using bolts and wing nuts as shown.
- 3) Attach puck lights from under into holes at bottom of ceiling as shown.
 Note: Light bulb must face down.



WHEN DISASSEMBLING ALUMINUM EXTRUSION, TIGHTEN ALL SETSCREWS AND LOCKS TO PREVENT LOSS DURING SHIPPING

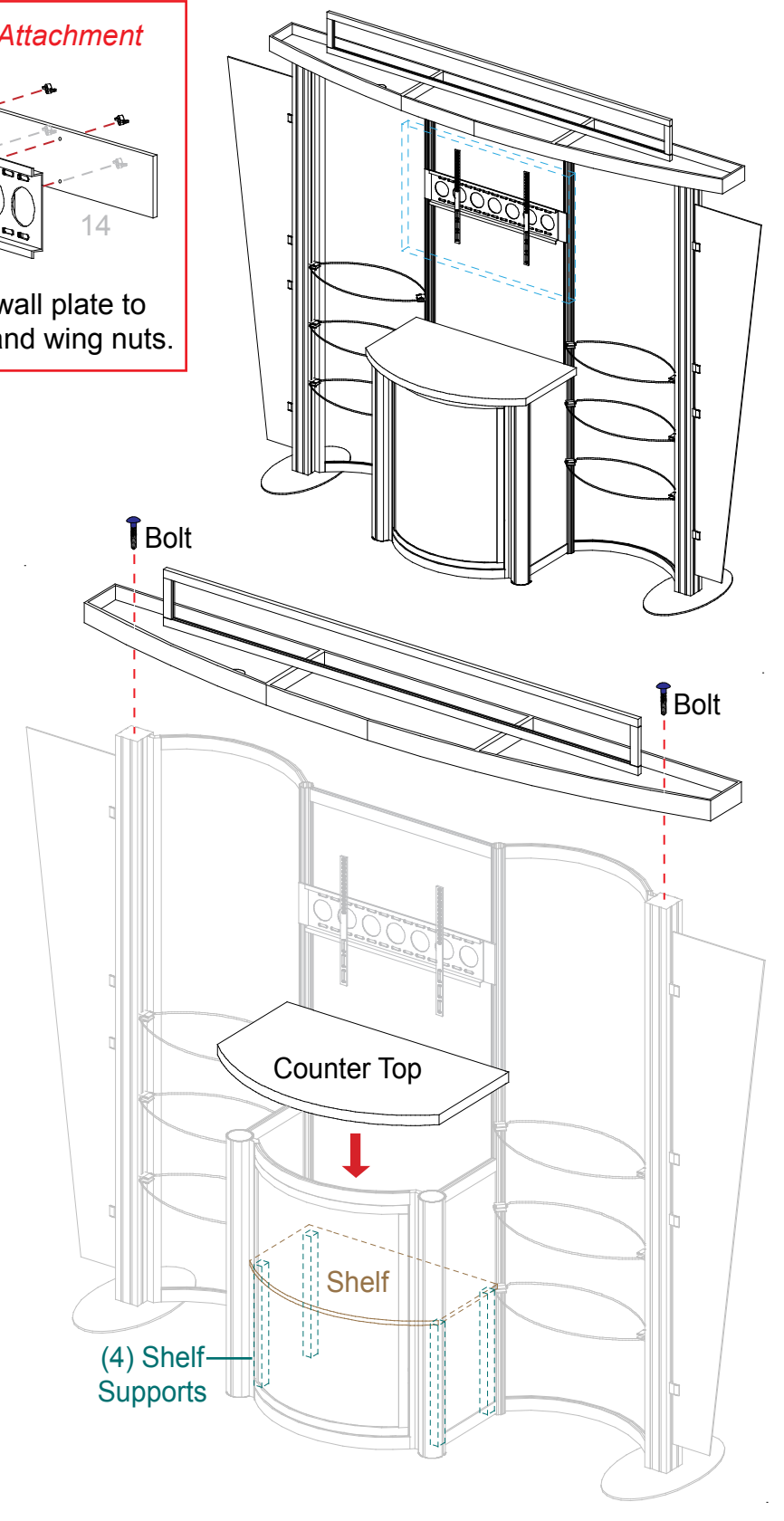
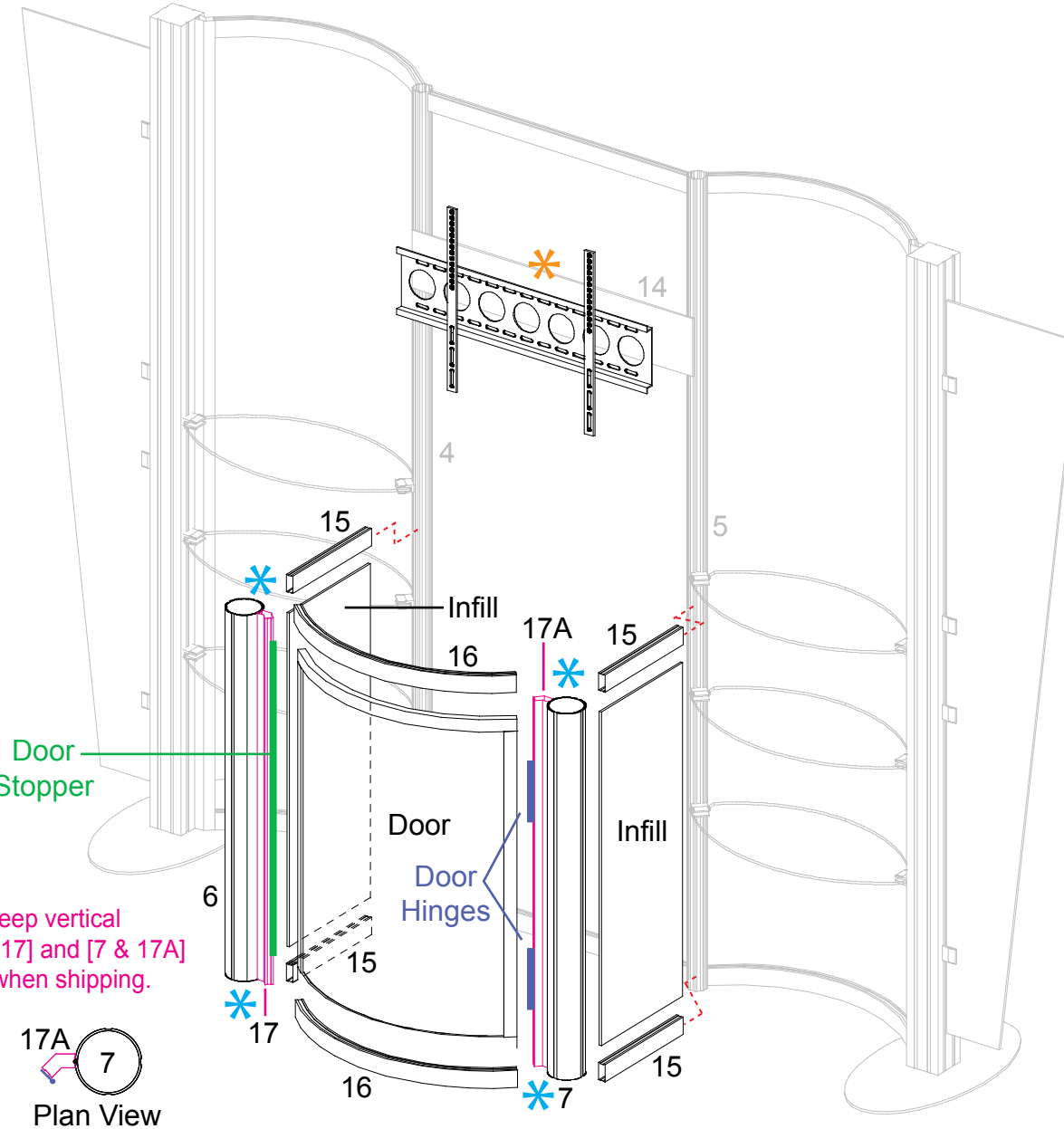
866.652.2100

Item	Qty.	Description
6	1	38" Round Vertical Extrusion
7	1	38" Round Vertical Extrusion
15	2	12.5" Horizontal Extrusion
16	2	28.3203" Curved Extrusion
17	1	38" Angled Vertical Extrusion w/ Door Stopper
17A	1	38" Angled Vertical Extrusion w/ Door Hinges

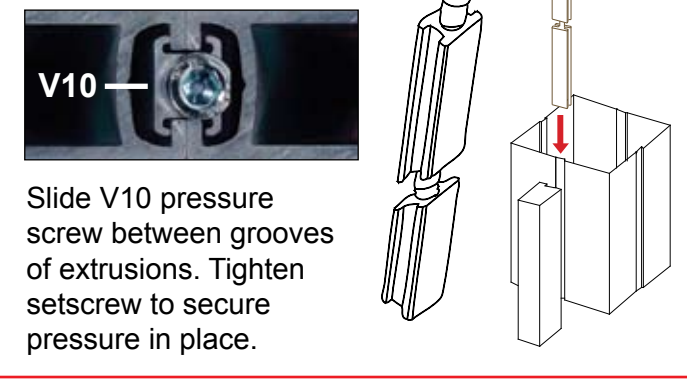


Steps:

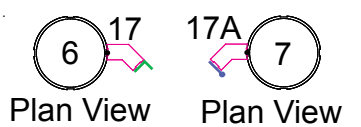
- 1) Attach angled vertical extrusions [17 & 17A] to verticals [6 & 7]. ** Refer to **V10 Pressure Screw Attachment** detail.
- 2) Attach upper and lower horizontal extrusions [15] between verticals [6 & 4] and [7 & 5]. Note: Place infills between horizontal and vertical extrusions as shown.
- 3) Attach upper and lower horizontal curved extrusions [16] between vertical extrusions [17 & 17A]. Note: Attach door between horizontal and vertical extrusions as shown. Refer to **Door Attachment** detail.
- 4) Attach monitor mount to horizontal plate [14]. Refer to **Monitor Mount Attachment** detail.
- 5) Velcro attach shelf supports to inside of backwall counter.
- 6) Place internal shelf atop shelf supports.
- 7) Place counter top atop assembled backwall counter.
- 8) Place ceiling with header atop assembled backwall and secure in place using bolts as shown.



*** V10 Pressure Screw Attachment**



**Note: Keep vertical extrusions [6 & 17] and [7 & 17A] assembled when shipping.

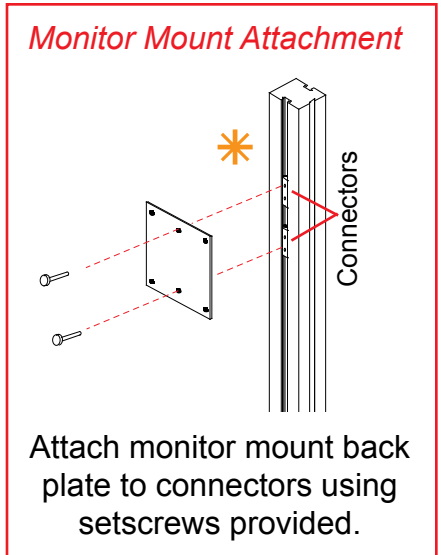


WHEN DISASSEMBLING ALUMINUM EXTRUSION, TIGHTEN ALL SETSCREWS AND LOCKS TO PREVENT LOSS DURING SHIPPING

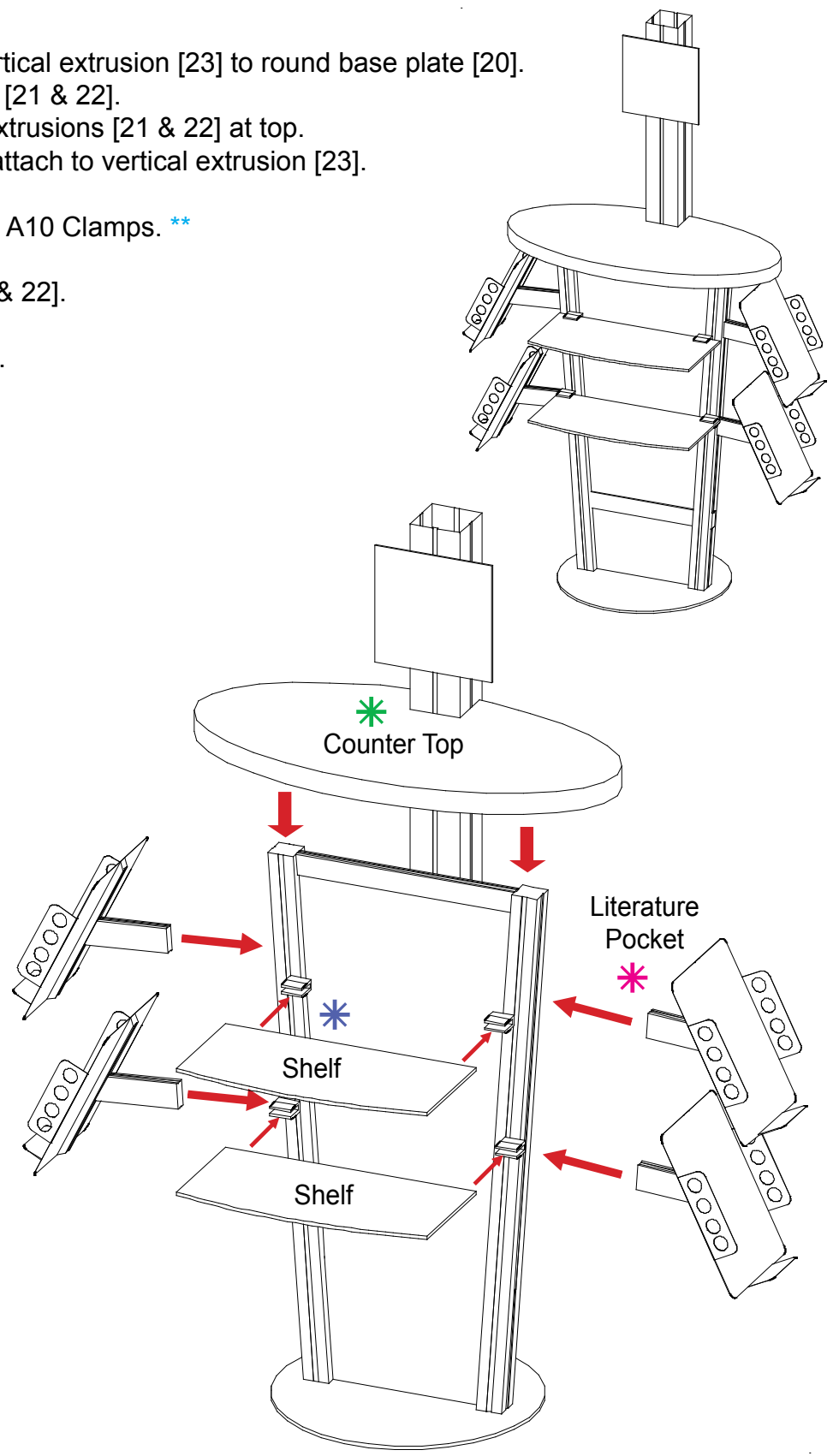
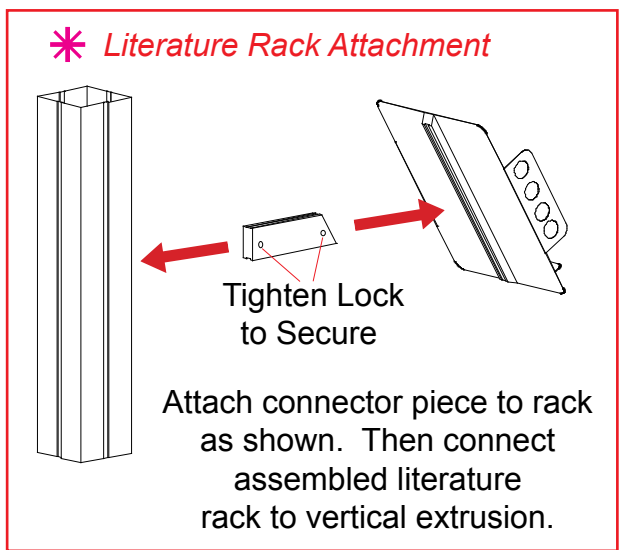
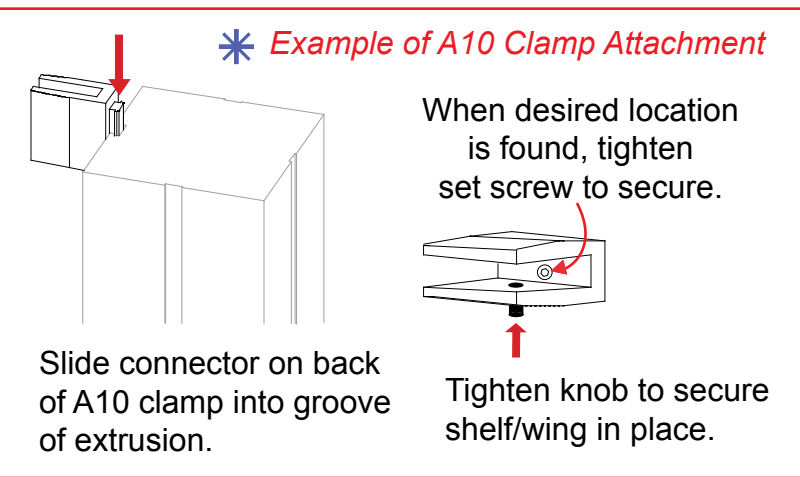
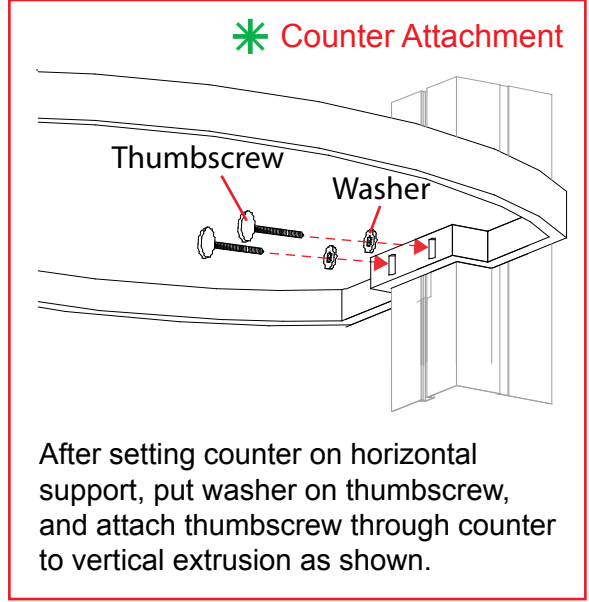
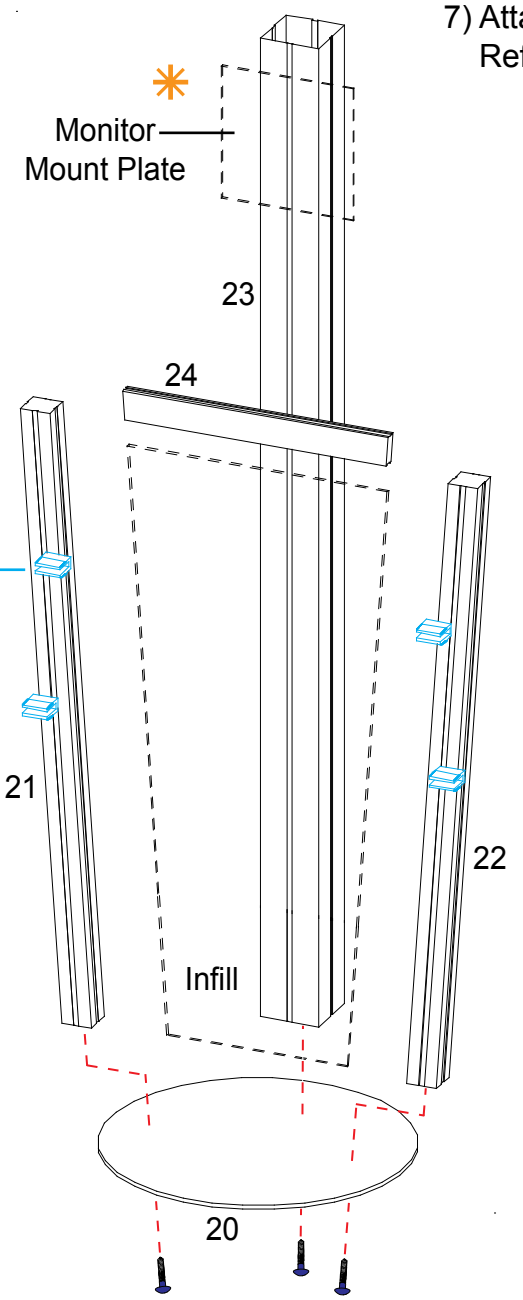
866.652.2100

Item	Qty.	Description
20	1	Round Base Plate
21	1	38.125" h Left Diagonal Extrusion w/ A10 Clamps Attached
22	1	38.125" h Right Diagonal Extrusion w/ A10 Clamps Attached
23	1	60" Square Vertical Extrusion
24	1	16" Horizontal Extrusion w/ Angle Cut Both Ends

- Steps:
- 1) Attach diagonal extrusions [21 & 22] and square vertical extrusion [23] to round base plate [20].
 - 2) Place infill into groove between diagonal extrusions [21 & 22].
 - 3) Attach horizontal extrusion [24] between diagonal extrusions [21 & 22] at top.
 - 4) Place counter top atop horizontal support [24] and attach to vertical extrusion [23].
Refer to **Counter Attachment** detail.
 - 5) Attach shelves to diagonal extrusions [21 & 22] with A10 Clamps. **
Refer to **Example of A10 Clamp Attachment** detail.
 - 6) Attach literature pockets to diagonal extrusions [21 & 22].
Refer to **Literature Rack Attachment** detail.
 - 7) Attach monitor mount plate to vertical extrusion [23].
Refer to **Monitor Mount Attachment** detail.

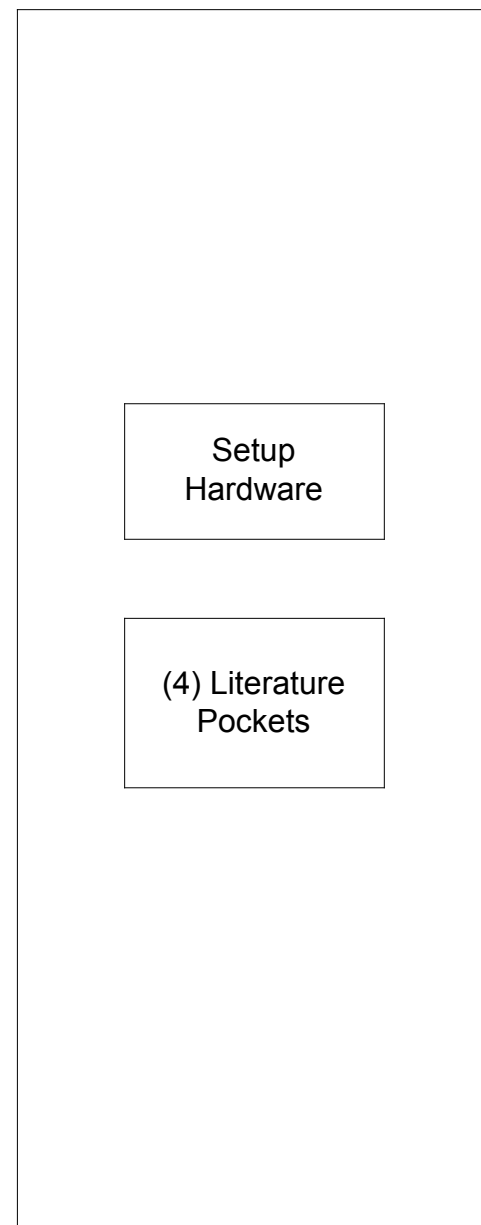
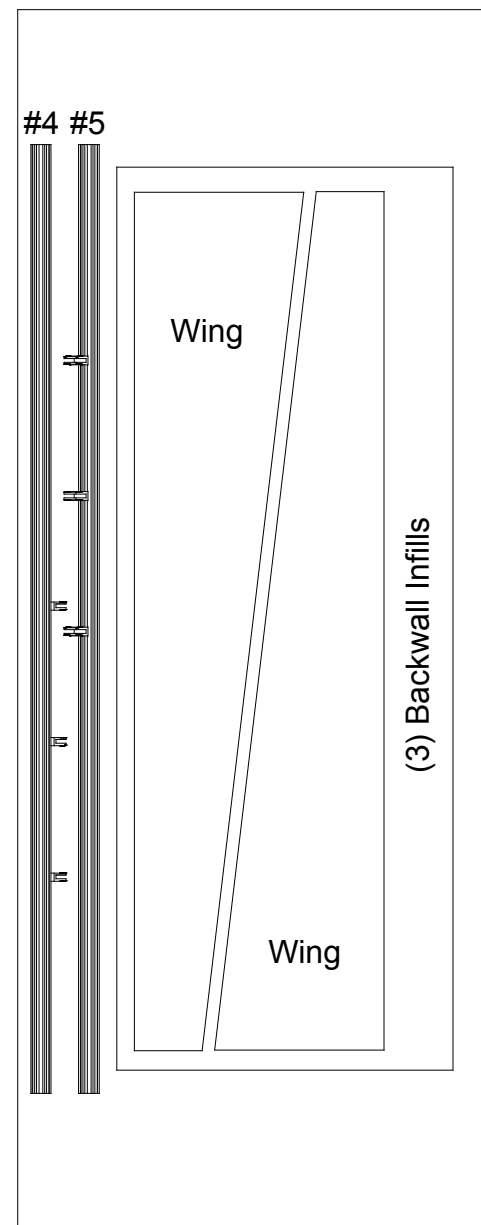
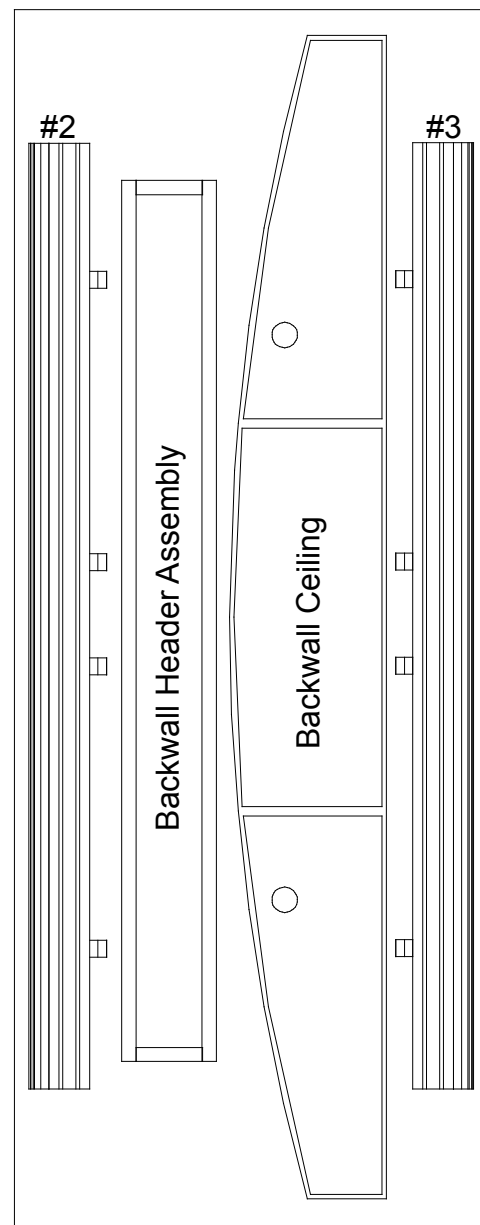
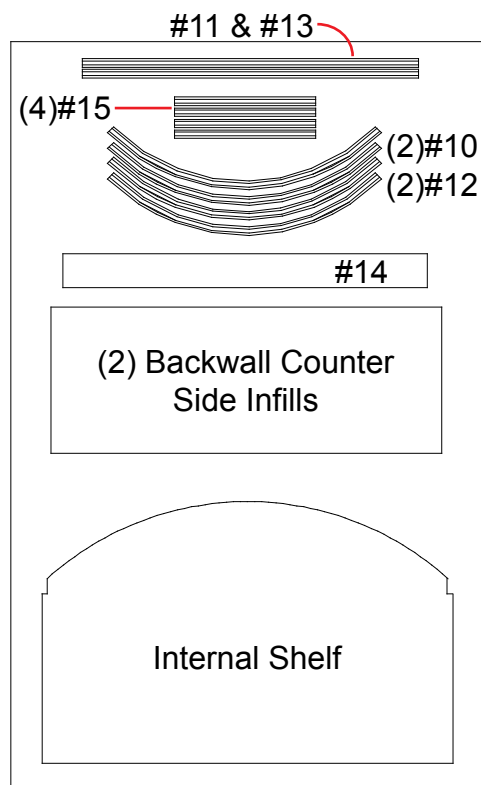
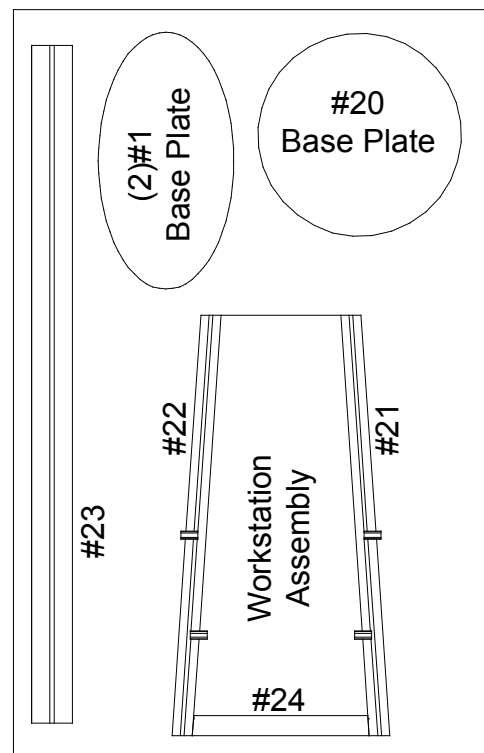
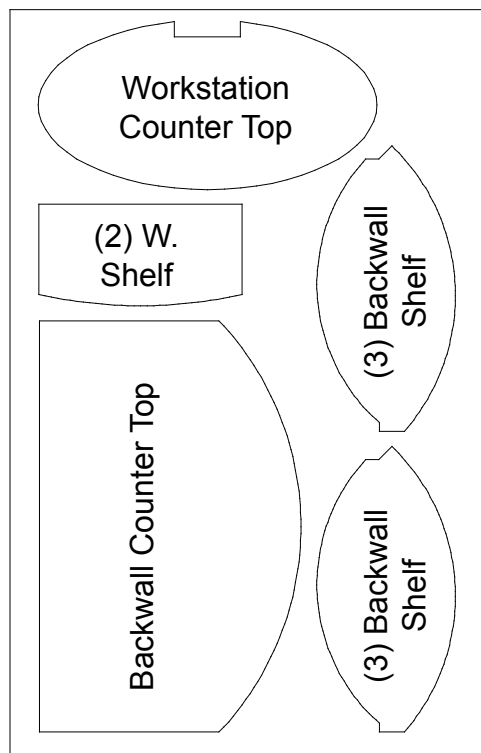


**Note: Keep A10 Clamps assembled with vertical extrusion when shipping.



WHEN DISASSEMBLING ALUMINUM EXTRUSION, TIGHTEN ALL SETSCREWS AND LOCKS TO PREVENT LOSS DURING SHIPPING

Top View of Each Level



Level 1

Level 2

Level 3

Level 4

Level 5

Level 6

WHEN DISASSEMBLING ALUMINUM EXTRUSION, TIGHTEN ALL SETSCREWS AND LOCKS TO PREVENT LOSS DURING SHIPPING



Level 1



Level 2



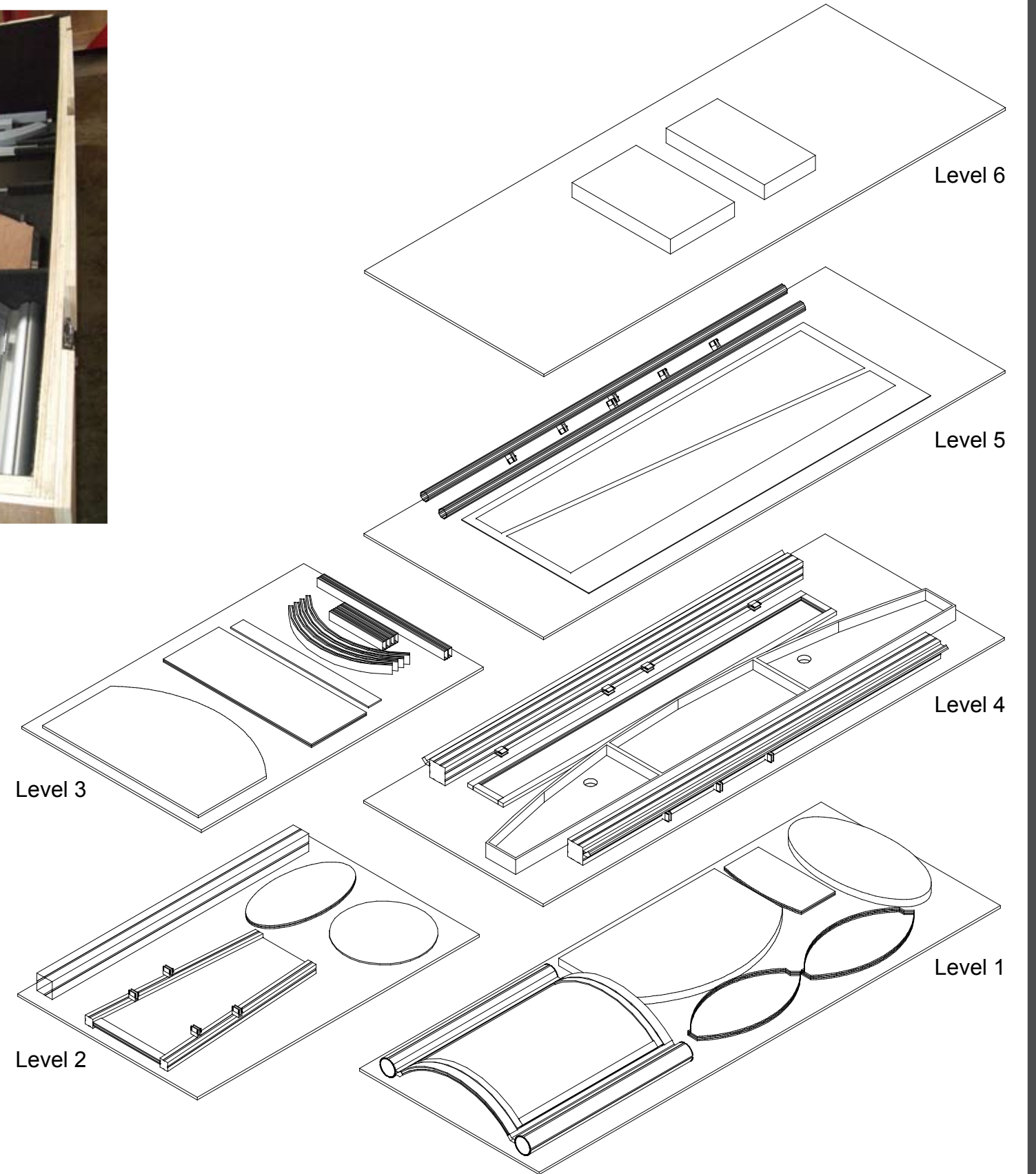
Level 3



Level 4



Level 5



WHEN DISASSEMBLING ALUMINUM EXTRUSION, TIGHTEN ALL SETSCREWS AND LOCKS TO PREVENT LOSS DURING SHIPPING