

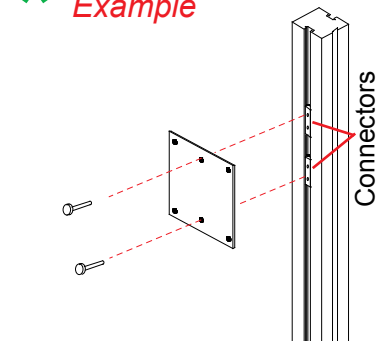


Item	Qty.	Description
1	1	Base Plate
2	1	32" h Lower Round Vertical Extrusion
3	1	32" h Upper Round Vertical Extrusion
4	1	20" h Round Vertical Extrusion
5	1	28" h Round Vertical Extrusion
6	1	18" h Round Vertical Extrusion
7	2	4" w Horizontal Extrusion
8	2	1.75" w Horizontal Extrusion

Steps:

- 1) Attach vertical extrusions [2 & 4] to base plate [1], refer to General Instructions Sheet Detail D.
- 2) Connect vertical upper extrusion [3] atop [2] and tighten into place.
- 3) Attach horizontal extrusions [8] between vertical extrusion [5] and vertical assembly [2 & 3] as shown. Note: Top of upper extrusion [8] must be flush with top of extrusion [5].
- 4) Attach horizontal extrusion [7] between vertical extrusions [4 & 5] and [4 & 6] as shown. Note: Top of extrusion [7] must be flush with top of extrusion [4].
- 5) Attach flange plate to top of vertical extrusion [5 & 6] as shown.
- 6) Attach counters atop supports, see *Counter Top Attachment* detail.

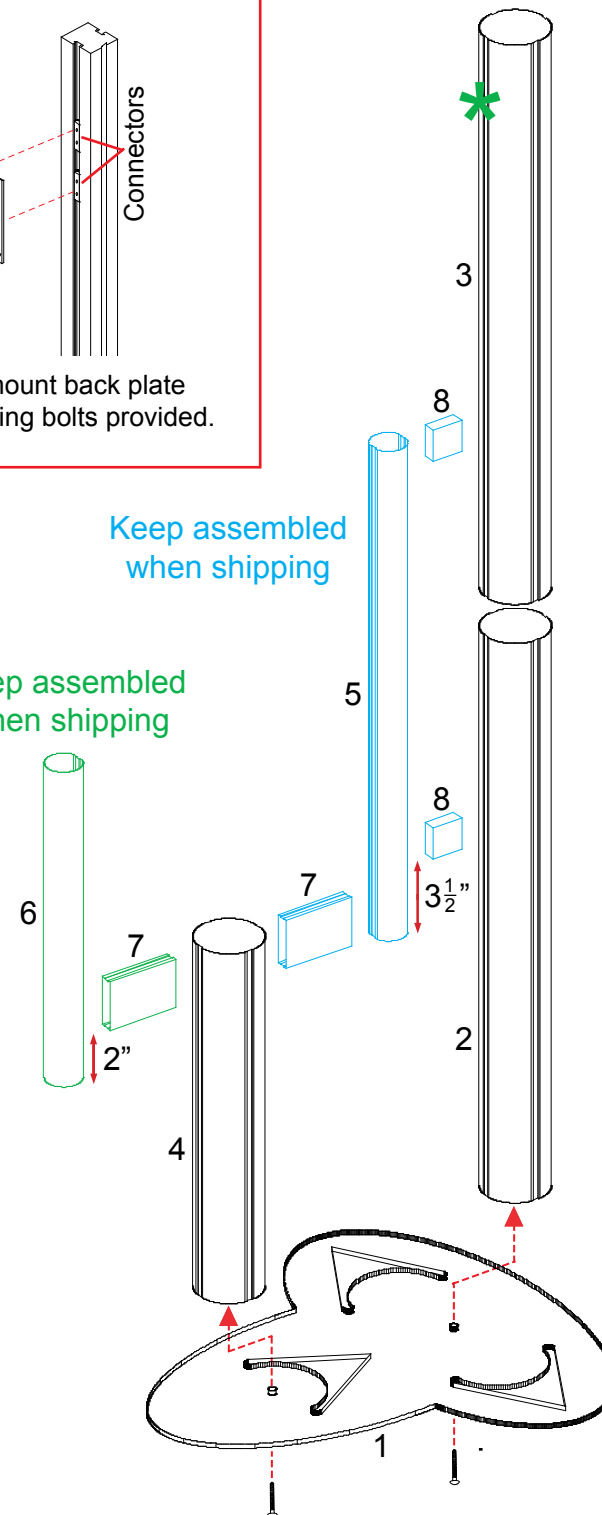
* Monitor Mount Attachment Example



Attach monitor mount back plate to connectors using bolts provided.

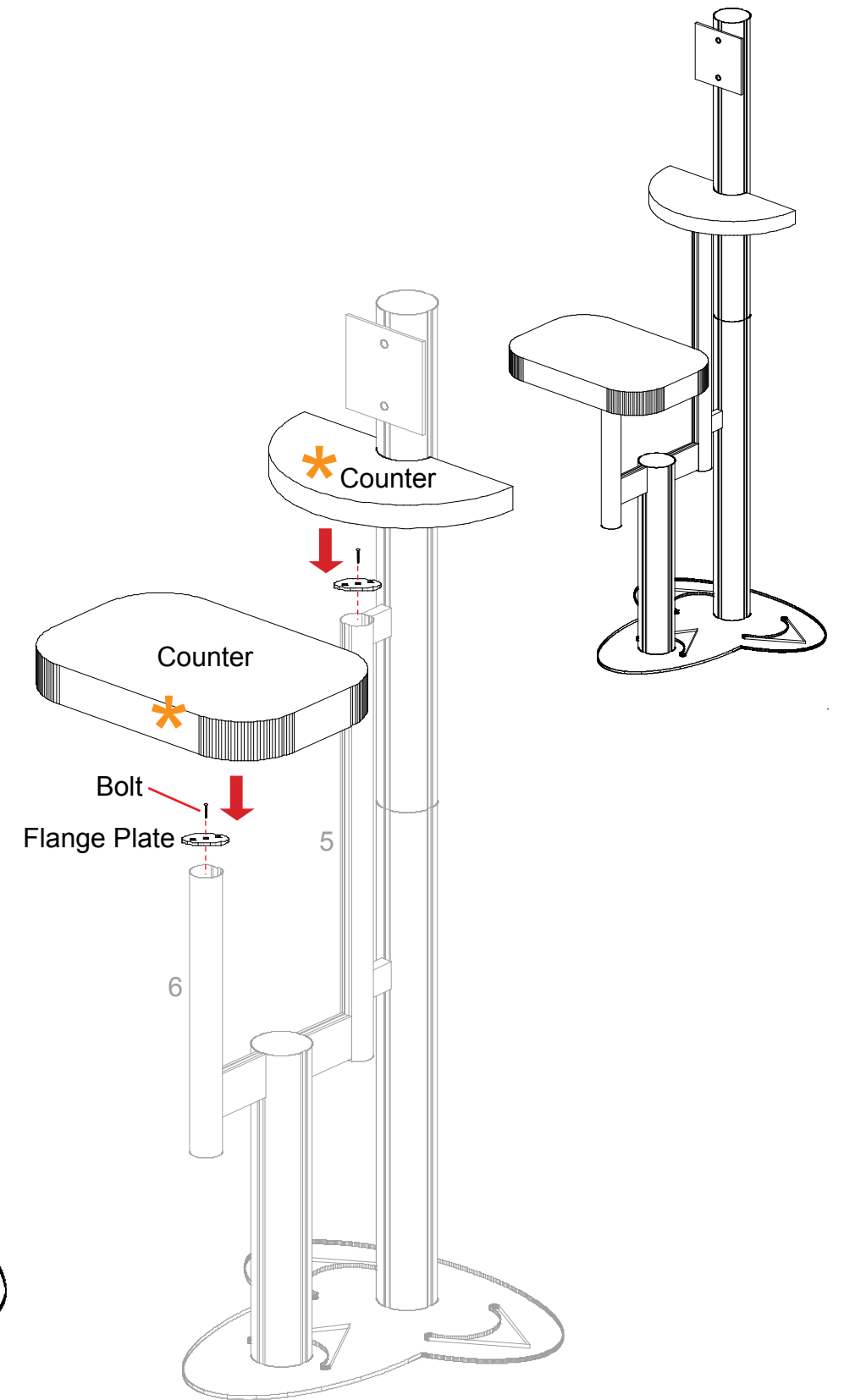
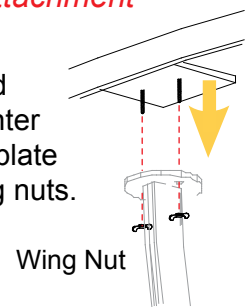
Keep assembled when shipping

Keep assembled when shipping



* Counter Top Attachment

Insert screws located on underside of counter into holes on flange plate and secure with wing nuts.



WHEN DISASSEMBLING ALUMINUM EXTRUSION, TIGHTEN ALL SETSCREWS AND LOCKS TO PREVENT LOSS DURING SHIPPING

visionary™ DESIGNS

Using Your Setup Instructions

The Visionary Designs Setup Instructions are created specifically for your configuration. They are laid out sequentially, including an exploded view of the entire display, and then a logical series of detailed steps to assemble the main structure and components. We encourage you to study the instructions **before** attempting to assemble your exhibit.

Each page reminds you to tighten the setscrews after disassembling your exhibit to prevent loss of the locks and setscrews (see below in RED). This is **VERY IMPORTANT**.

Cleaning and Packing Your Display

- 1) Use care when cleaning aluminum extrusion or acrylic inserts. Use only non-abrasive cleaners.
- 2) When cleaning laminate inserts or countertops, use mild cleansers and a soft material such as cotton.
- 3) Keep all display components away from extreme heat and long exposure to sunlight to avoid warping and fading.
- 4) Retain all packing material. It will make re-packing much easier and will reduce the likelihood of shipping damage.



The Tool

Most Visionary Designs exhibits can be assembled with the supplied Hex Key Tool. Occasionally, a flat head screwdriver may be required.



Typical Connection

Most horizontal extrusion connections have a patented expandable lock. This lock inserts into the groove of an opposing extrusion. Tightening the lock with the Hex Key Tool expands the lock and creates a strong positive connection.



Typical Connection (cont'd)



Detail B

Numbered Label

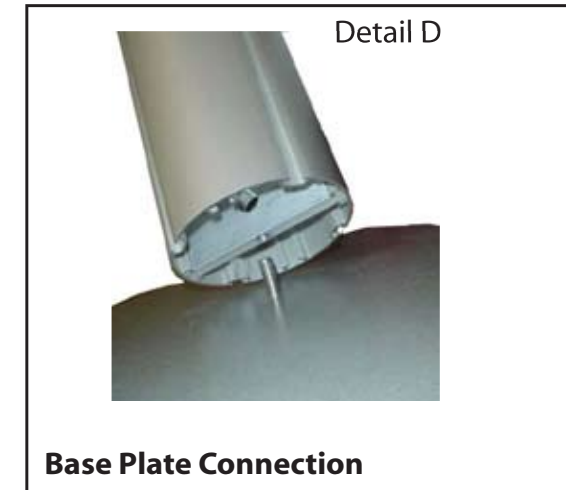
Each extrusion contains a numbered label which corresponds with setup instructions. The label is located within a groove of the extrusion (when possible). With Visionary Designs the labels contain Black numbers unless otherwise specified.



Detail C

Horizontal Inline Connection (remove only one setscrew)

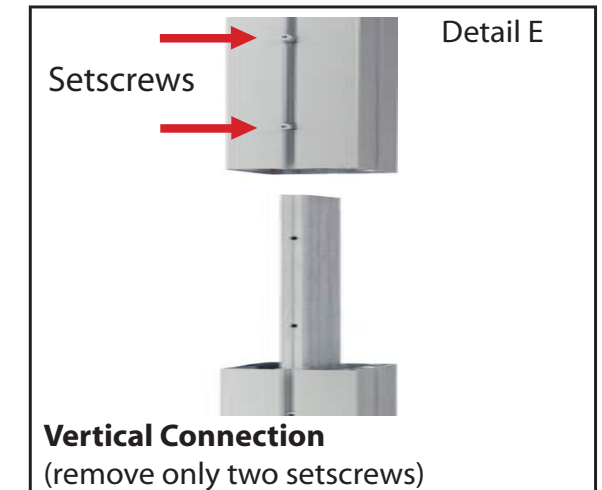
Remove only (1) setscrew when disassembling. Replace setscrew in extrusion after assembling it. Before packing, replace setscrew in extrusion to avoid losing it.



Detail D

Base Plate Connection

Attach base plate to round or square vertical extrusion using the bolt provided. Be careful not to strip the threads.



Detail E

Vertical Connection
(remove only two setscrews)

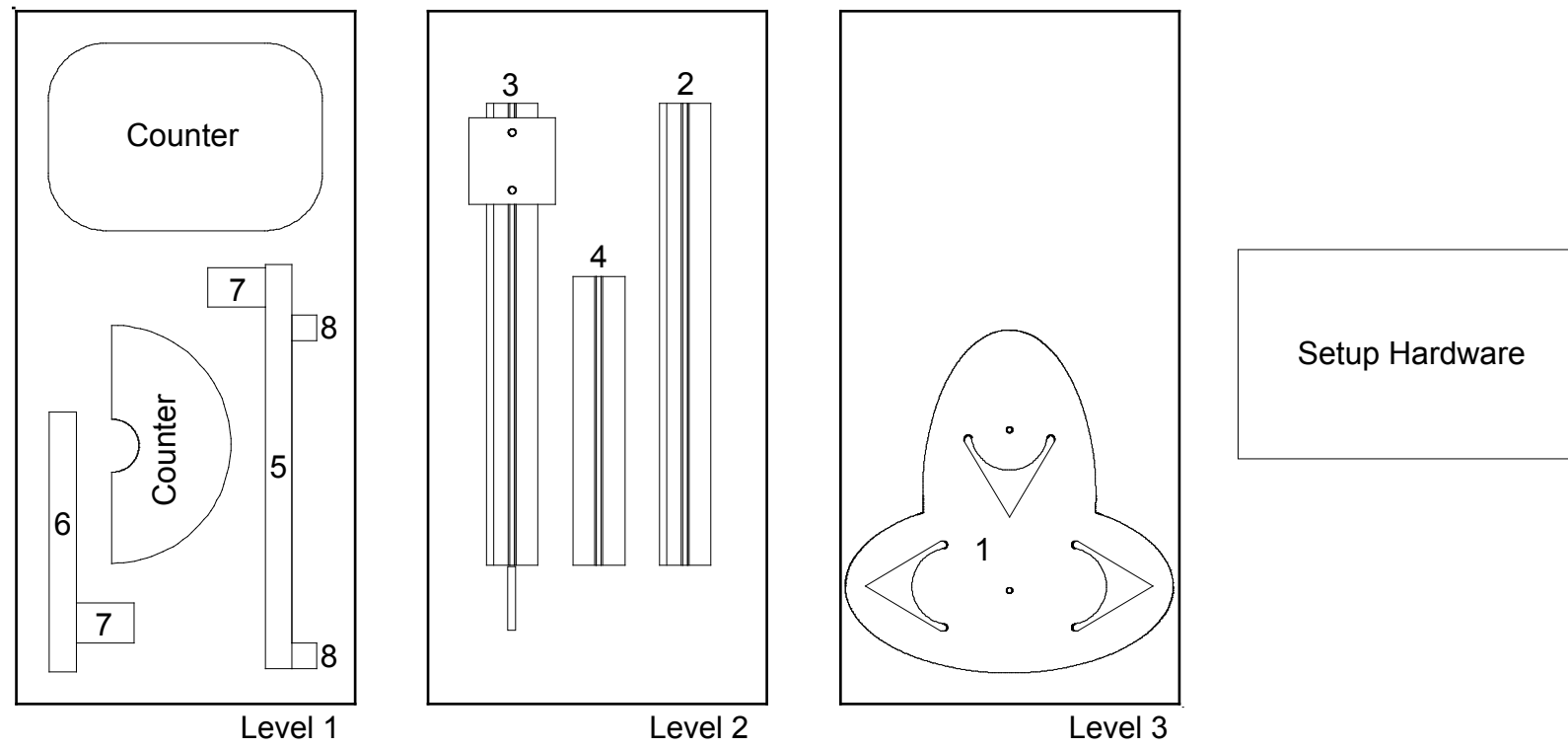
When vertical extrusions are packed in portable cases rather than crates or tubs, they must be broken down into smaller sections which then require assembly.

Remove only (2) setscrews when disassembling. Replace setscrews in extrusion after assembling it. Before packing, replace setscrews in extrusion to avoid losing them.

WHEN DISASSEMBLING ALUMINUM EXTRUSION, TIGHTEN ALL SETSCREWS AND LOCKS TO PREVENT LOSS DURING SHIPPING

Top View of Each Level

Workstation Components



WHEN DISASSEMBLING ALUMINUM EXTRUSION, TIGHTEN ALL SETSCREWS AND LOCKS TO PREVENT LOSS DURING SHIPPING