

General Setup Instructions

Using Your Setup Instructions

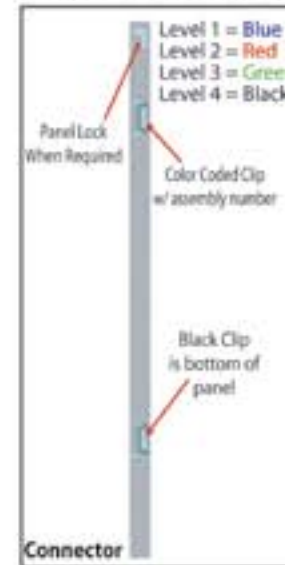
The Setup Instructions are created specifically for your configuration. They are laid out sequentially in levels, including exploded views, and a logical series of detailed steps to assemble the main structure and components. We encourage you to study the instructions **before** attempting to assemble your exhibit.

Each page reminds you to tighten the setscrews after disassembling your exhibit to prevent loss of the locks and setscrews (see below in RED). This is VERY IMPORTANT.

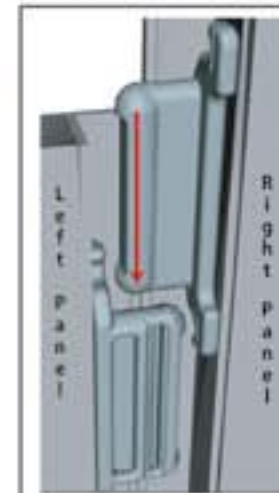
Cleaning and Packing Your Display

- 1) Use care when cleaning aluminum extrusion or Eco Glass inserts. Use only non-abrasive cleaners.
- 2) When cleaning laminate inserts, countertops, or panels use mild cleansers and a soft material such as cotton.
- 3) Keep all display components away from extreme heat and long exposure to sunlight to avoid warping and fading.
- 4) Retain all packing material. It will make re-packing much easier and will reduce the likelihood of shipping damage. Each Layer will be labeled with the packing order.

General Setup Instructions for Panel System



Each component has 2 clips, the lower clip is ALWAYS black. The top clip is color coded to distinguish the level. The color coded clip also contains the numbered label.



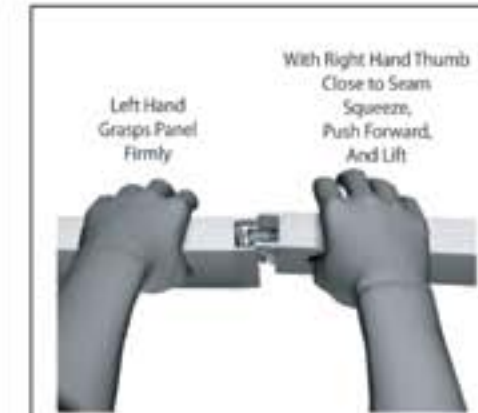
Cut Away View Of Slide Clips

Components connect together by aligning them and sliding downward connecting clips together.



Example of Connection

Configurations are assembled from left to right, usually starting with #1 and following the numbered sequence.



Top View of Panels with Locks

The first level of components contains panel locks that are located at the top of the panel for extra stability and a seamless connection. When disassembling panels, twist top connection slightly and lift right panel upward.

General Setup Instructions for Extrusion System



The Tool

Most exhibits can be assembled with the supplied Hex Key Tool. Occasionally, other tools may be needed.

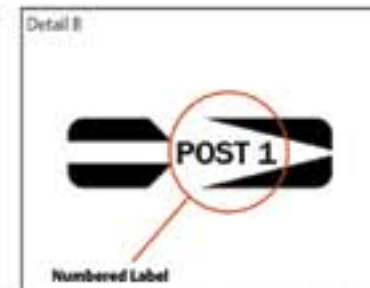


Typical Connection

Most horizontal extrusion connections have a patented expandable lock. This lock inserts into the groove of an opposing extrusion. Tightening the lock with the Hex Key Tool expands the lock and creates a strong positive connection.



Typical Connection (cont'd)



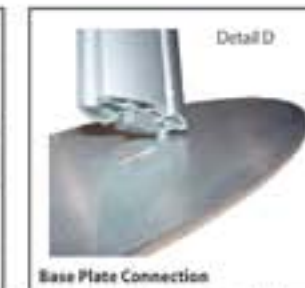
Numbered Label

Each extrusion contains a numbered label which corresponds with setup instructions. The label is located within a groove of the extrusion (when possible). With extrusion components the labels contain Black numbers unless otherwise specified.



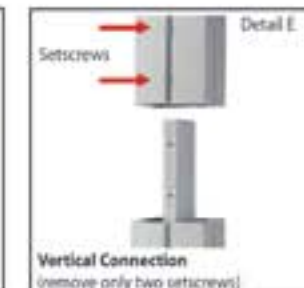
Horizontal In-line Connection (remove only one setscrew)

Remove only (1) setscrew when disassembling. Replace setscrew in extrusion after assembling it. Before packing, replace setscrew in extrusion to avoid losing it.



Base Plate Connection

Attach base plate to vertical extrusion using the lock provided. Place base plate on ground and set vertical post/lock in base plate slot. Tighten lock with Mult-tool.



Vertical Connection (remove only two setscrews)

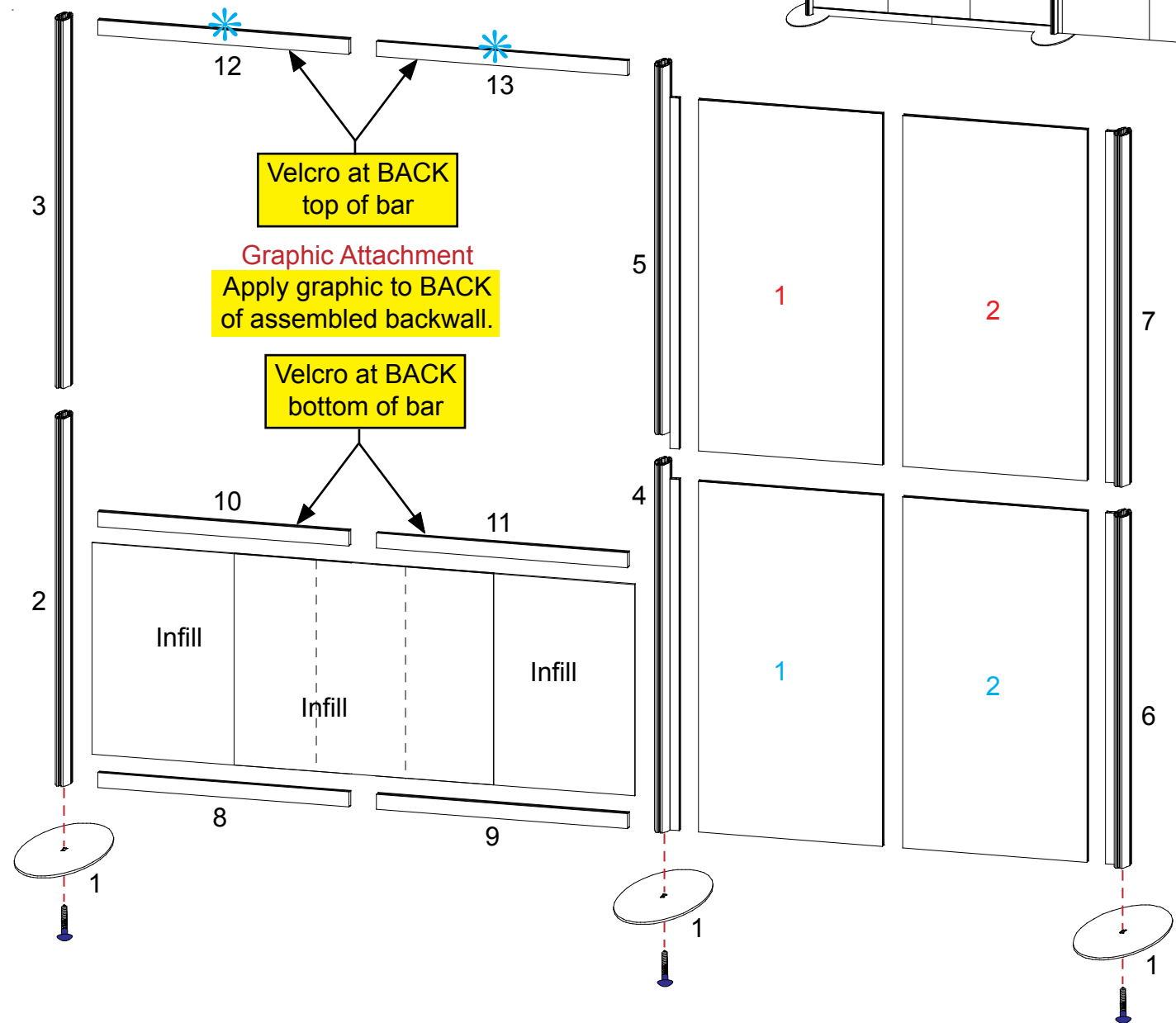
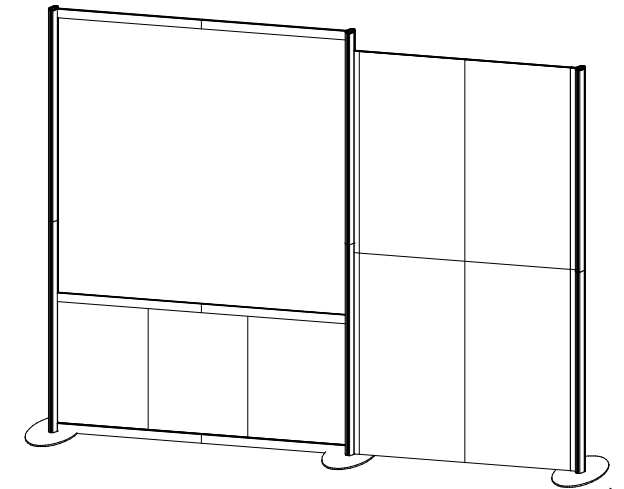
When vertical extrusions are packed in portable cases rather than crates or tubs, they must be broken down into smaller sections which then require assembly.

Remove only (2) setscrews when disassembling. Replace setscrews in extrusion after assembling it. Before packing, replace setscrews in extrusion to avoid losing them.

Item	Qty.	Description:
1	3	Oval Base Plate
2	1	44" Oval Vertical Extrusion
3	1	44" Oval Vertical Extrusion
4	1	44" Oval Vertical Extrusion w/ Connector
5	1	44" Oval Vertical Extrusion w/ Connector
6	1	42" Oval Vertical Extrusion w/ Connector
7	1	42" Oval Vertical Extrusion w/ Connector
8	1	30" Horizontal Extrusion
9	1	30" Horizontal Extrusion
10	1	30" Horizontal Extrusion
11	1	30" Horizontal Extrusion
12	1	30" Horizontal Extrusion
13	1	30" Horizontal Extrusion
1	1	22"x42" Flat Panel
2	1	22"x42" Flat Panel
1	1	22"x42" Flat Panel
2	1	22"x42" Flat Panel

Steps:

- 1) Attach vertical extrusions [2, 4, & 6] to base plates [1].
- 2) Attach upper vertical extrusions [3, 5, & 7] to lower extrusions [2, 4, & 6].
- 3) Connect horizontal extrusions together [8 to 9, 10 to 11, & 12 to 13].
- 4) Attach horizontal assemblies [8/9, 10/11, and 12/13] between vertical assemblies [2/3 & 4/5].
- 5) Connect flat panels together between vertical assemblies [4/5 & 6/7] as shown.
- 6) Apply graphic to back of assembled backwall.
- 7) Attach lights to top of assembled backwall. Refer to detail.



LED Luminator Light Attachment Detail

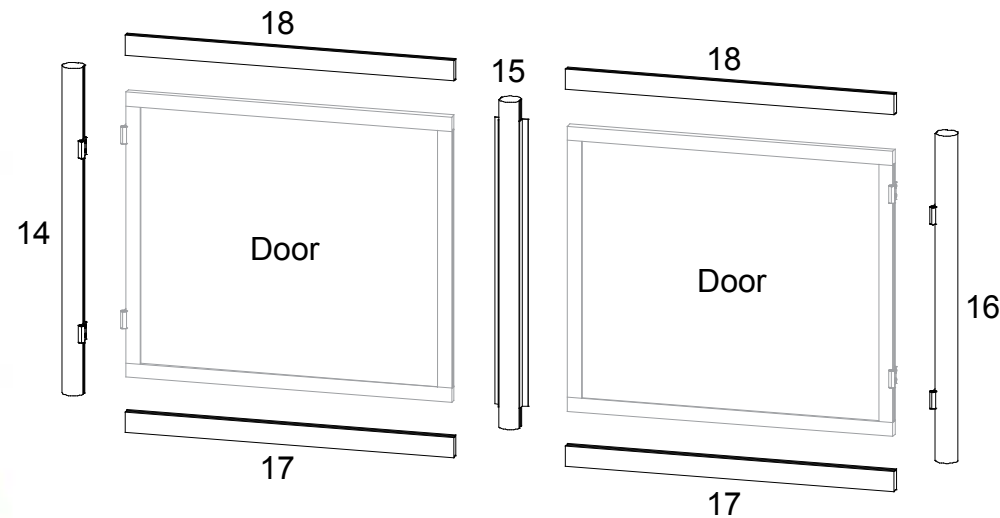
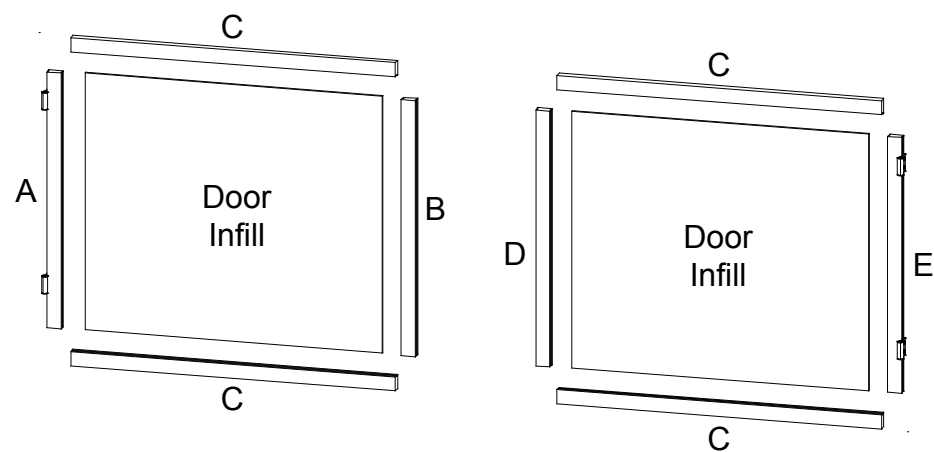


- Attach Clip to Light Before mounting to Top Beam
- There will be a small sill in the Top of the Graphic to Slide the Clip through to the channel

Door Assembly

Attach vertical extrusions between horizontal extrusions as shown. Note: Place infill between verticals and horizontals.

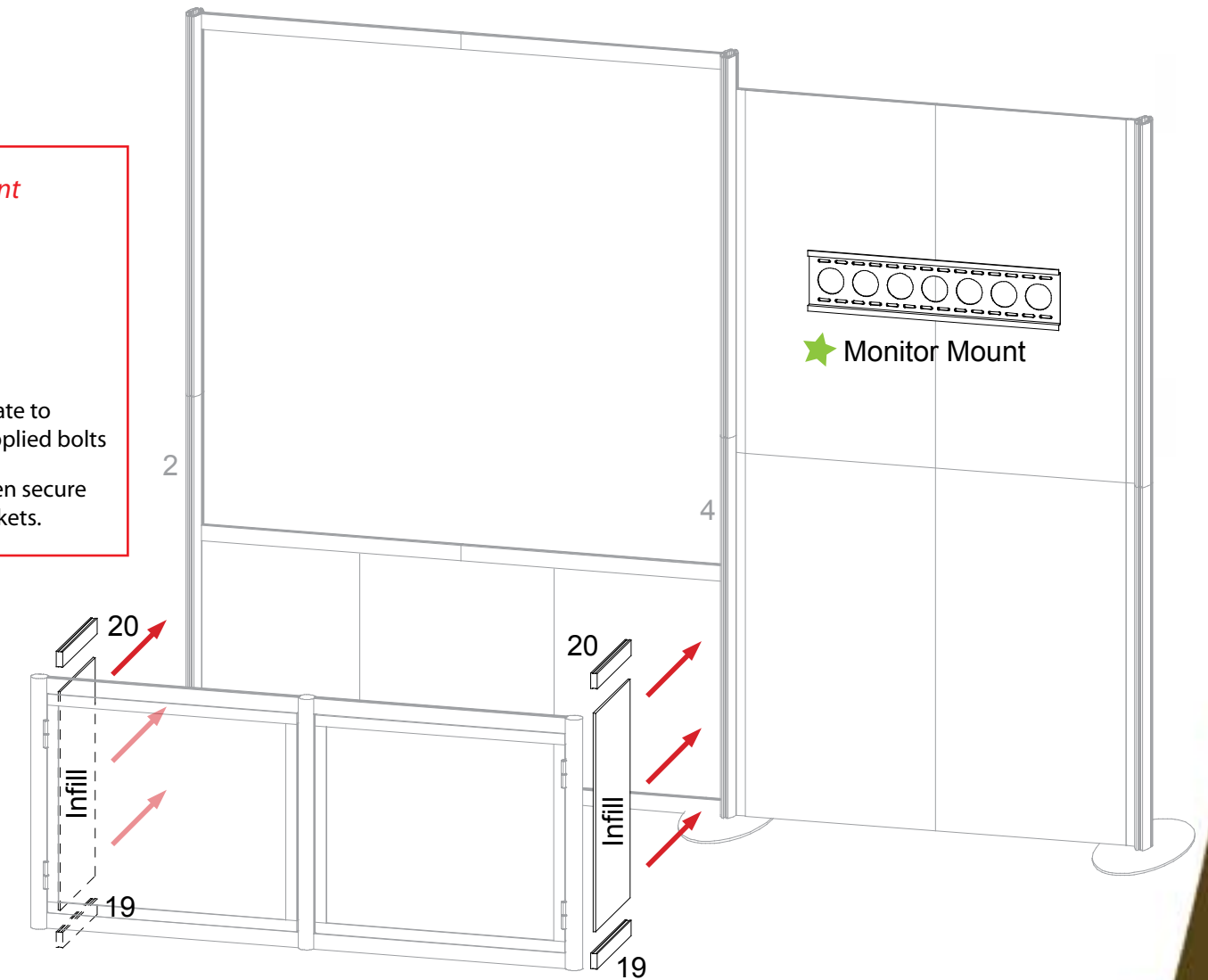
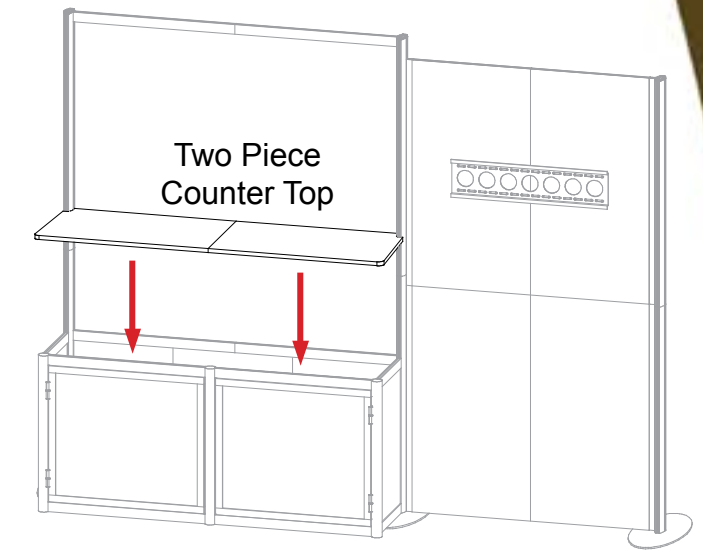
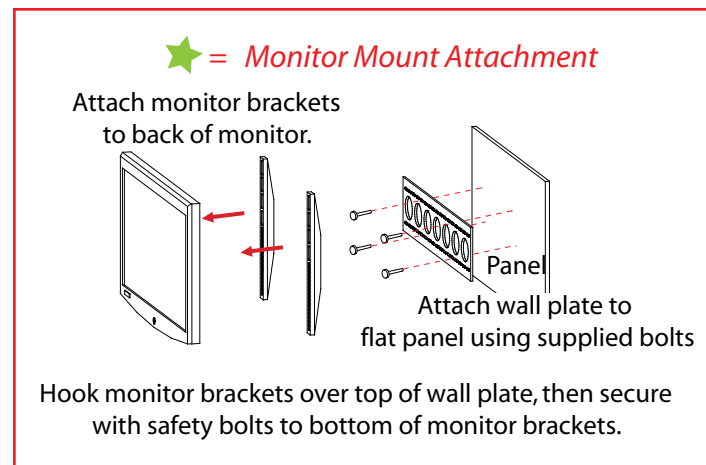
Item	Qty.	Description:
A	1	Vertical Extrusion w/ Hinges
B	1	Vertical Extrusion w/ Lock
C	4	Horizontal Extrusion
D	1	Vertical Extrusion w/ Lock
E	1	Vertical Extrusion w/ Hinges

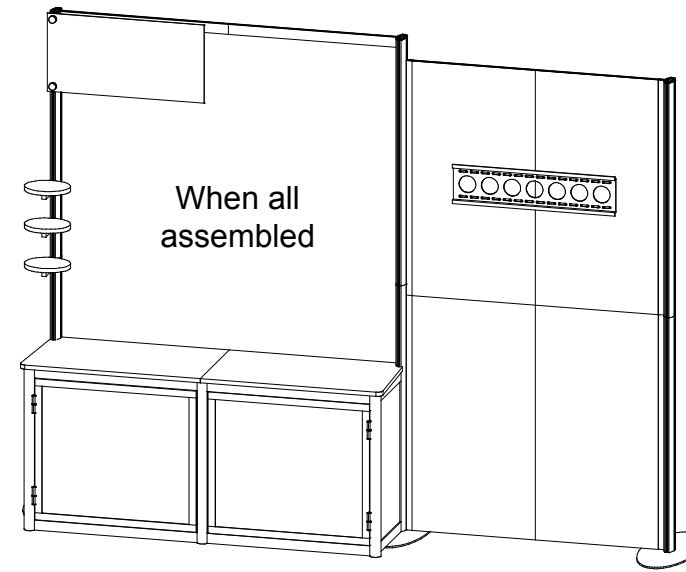


Step:

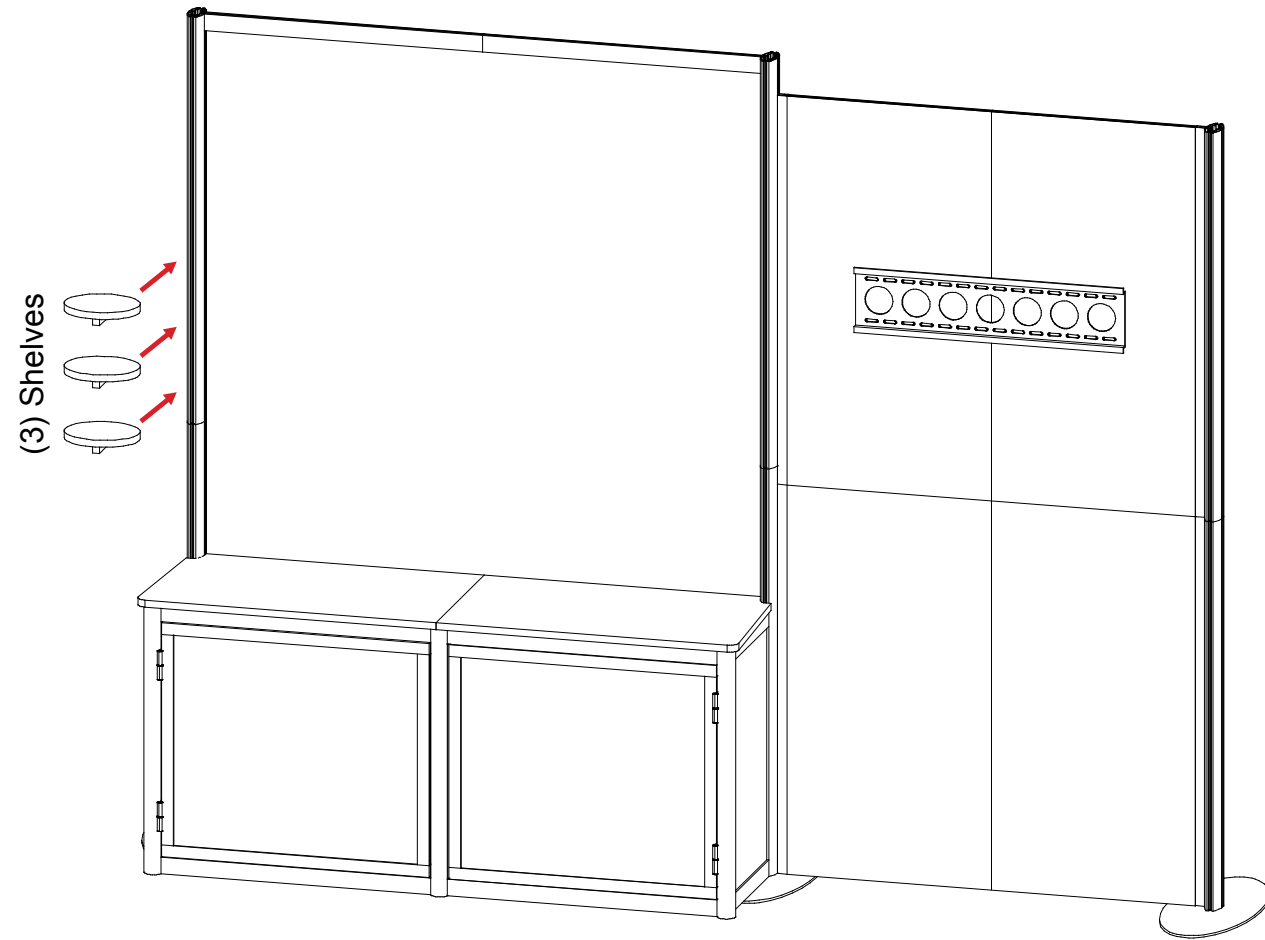
- 1) Attach lower and upper horizontal extrusions [19 & 20] between vertical extrusions [14 & 2] and [16 & 4] as shown. Note: Place infill between verticals and horizontals.
- 2) Attach monitor mount to upper flat panels as shown. Refer to *Monitor Mount Attachment* detail.
- 3) Connect two piece counter top and place atop assembled backwall counter.

Item	Qty.	Description:
14	1	29" Round Vertical Extrusion w/ Door Hinges
15	1	29" Round Vertical Extrusion w/ Door Stoppers
16	1	29" Round Vertical Extrusion w/ Door Hinges
17	2	29" Horizontal Extrusion
18	2	29" Horizontal Extrusion
19	2	14" Horizontal Extrusion
20	2	14" Horizontal Extrusion



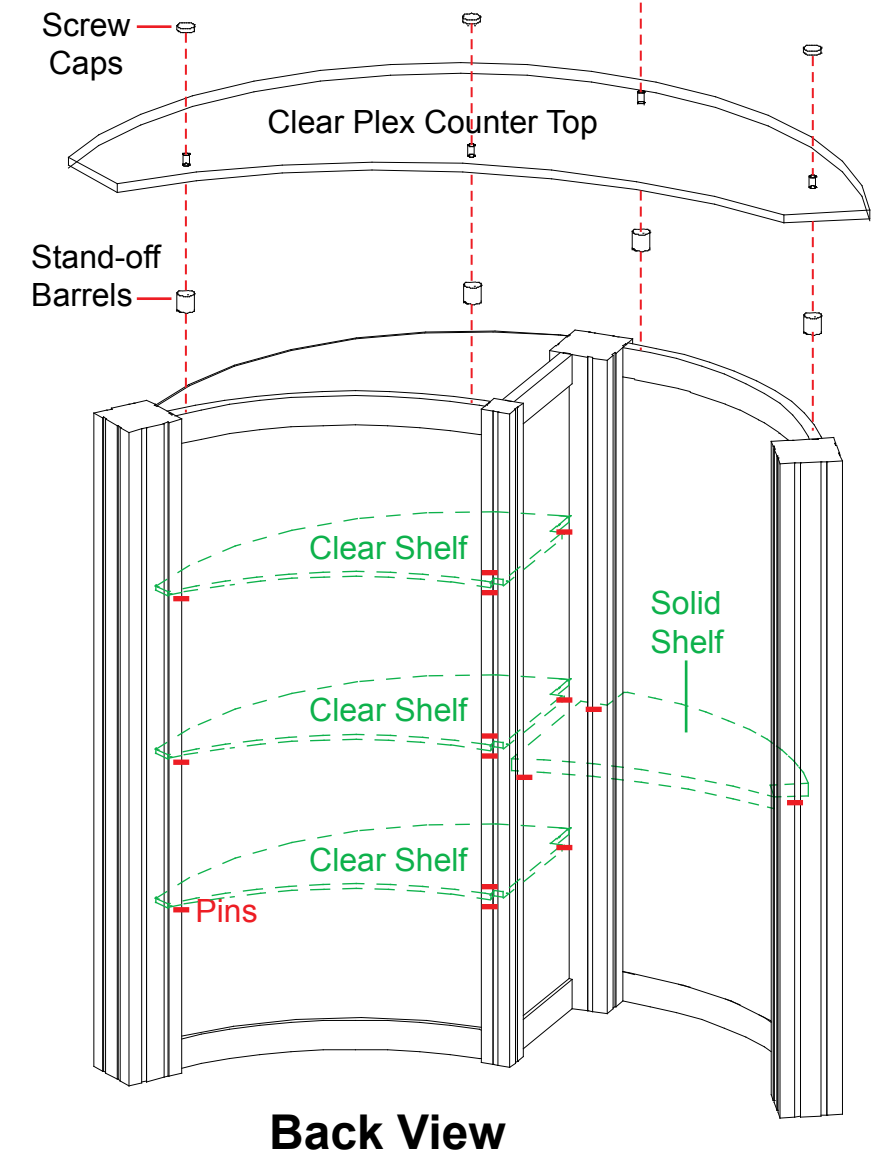
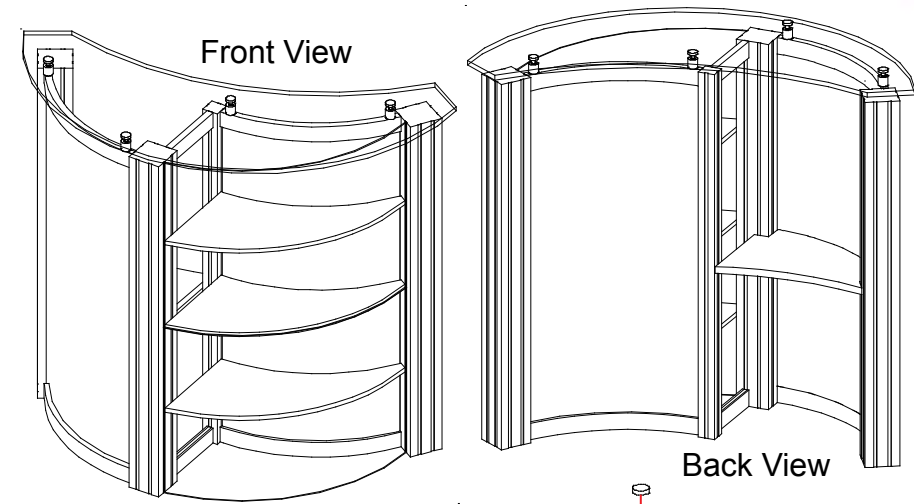
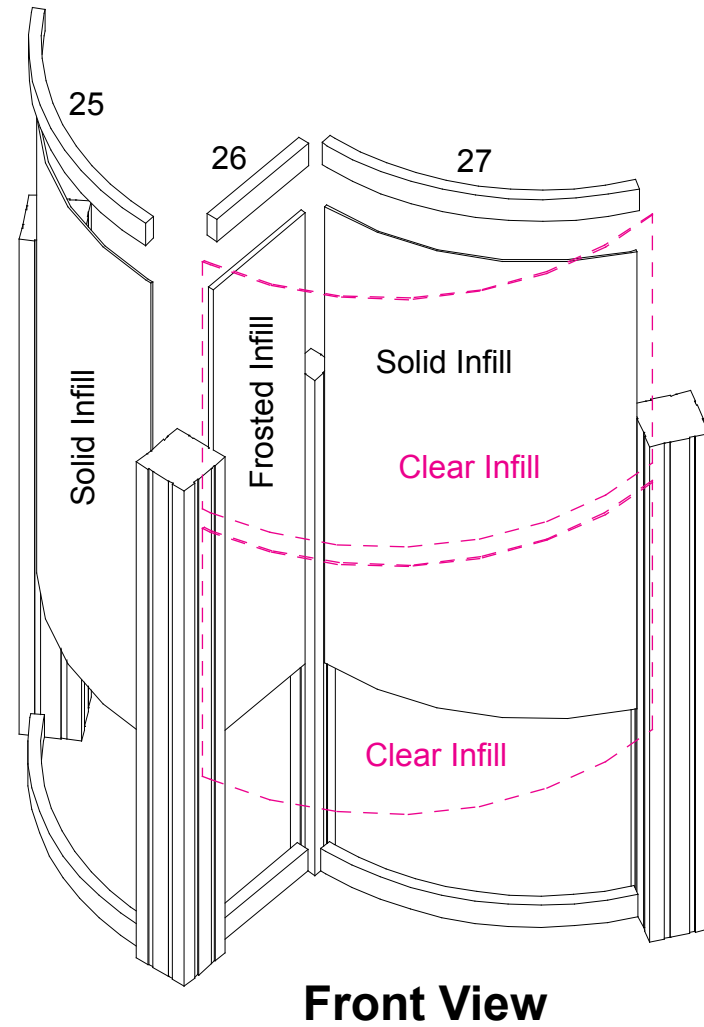
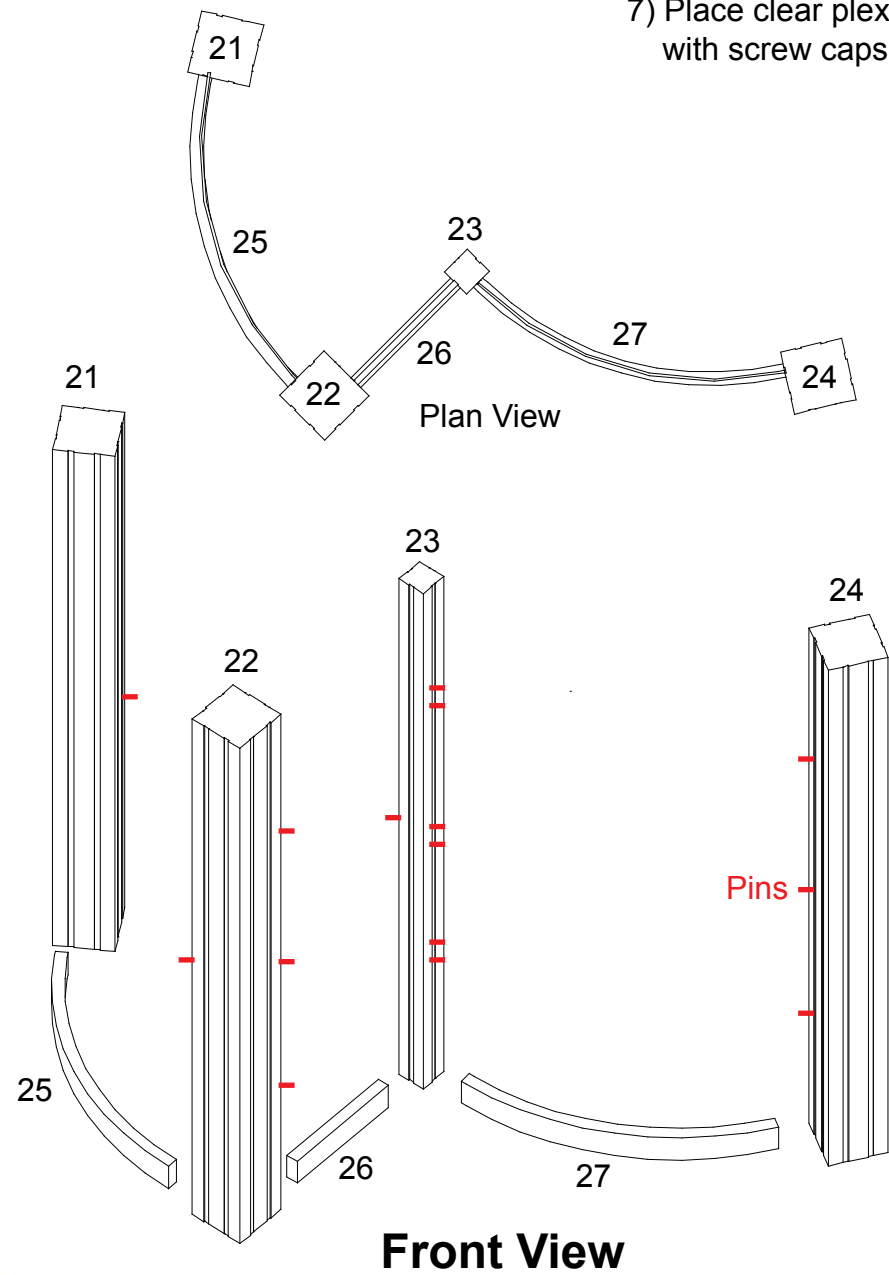


Steps:
1) Attach shelves to backwall as shown.



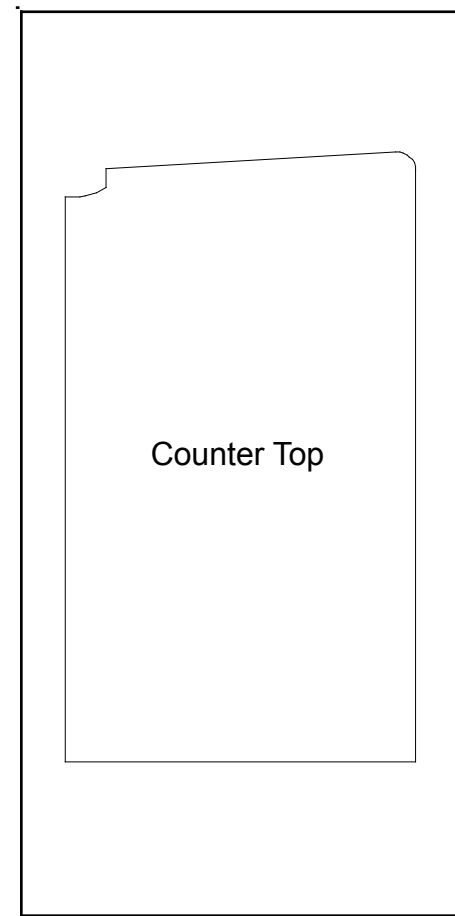
Item	Qty.	Description:
21	1	40" Square Vertical Extrusion
22	1	40" Square Vertical Extrusion
23	1	40" Square Vertical Extrusion
24	1	40" Square Vertical Extrusion
25	1	19.25" Curved Horizontal Extrusion
26	1	8" Horizontal Extrusion
27	1	19.25" Curved Horizontal Extrusion

- Steps:**
- 1) Attach lower horizontal extrusions [25, 26, & 27] between vertical extrusions [21, 22, 23, & 24] as shown.
 - 2) Slide infills into place between verticals as shown except **Clear Infills**.
Note: Slide **Clear infills** into place after three clear shelves are installed.
 - 3) Attach upper horizontal extrusions [25, 26, & 27] between vertical extrusions [21, 22, 23, & 24] as shown.
 - 4) Place shelves atop pins as shown.
 - 5) Slide **Clear infills** into place after three clear shelves are installed.
 - 6) Attach stand-off barrels atop curved extrusions [25 & 27].
 - 7) Place clear plex counter top atop barrels and secure counter in place with screw caps.

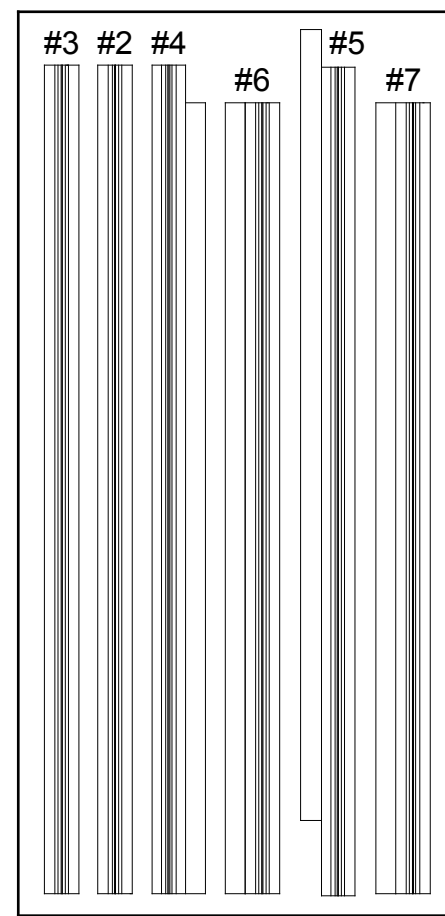


Case 1 Packing Instructions

Top View of Each Level



Level 1

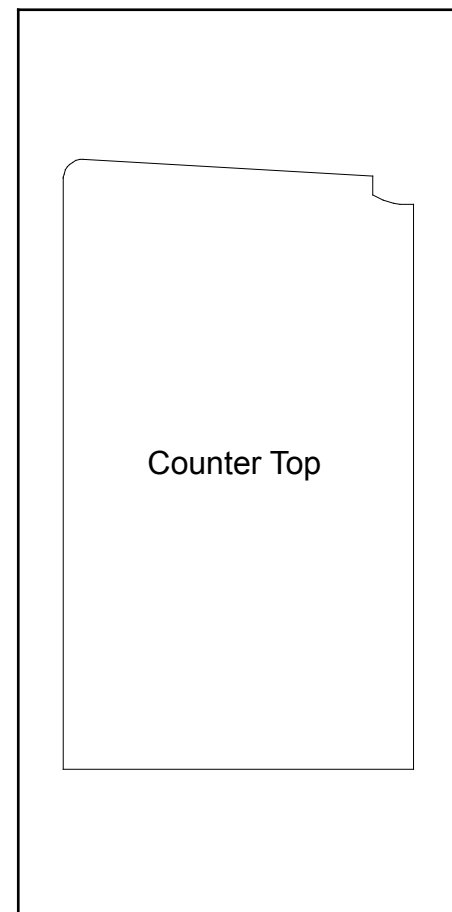


Level 2

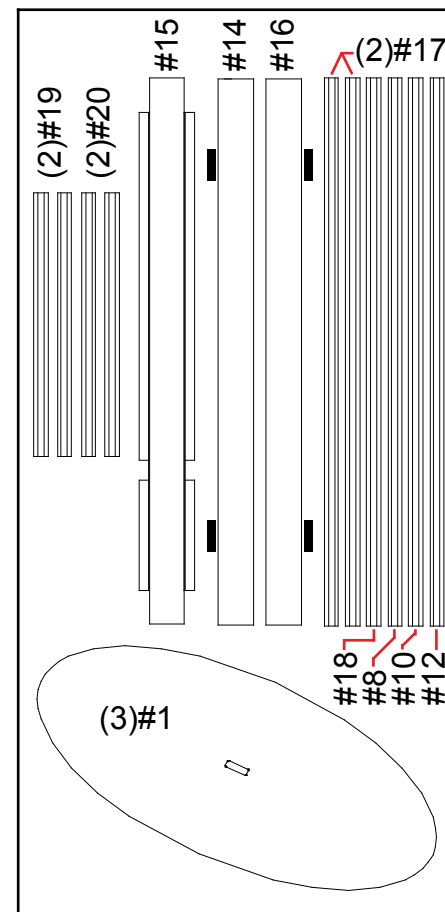


Case 2 Packing Instructions

Top View of Each Level



Level 1



Level 2

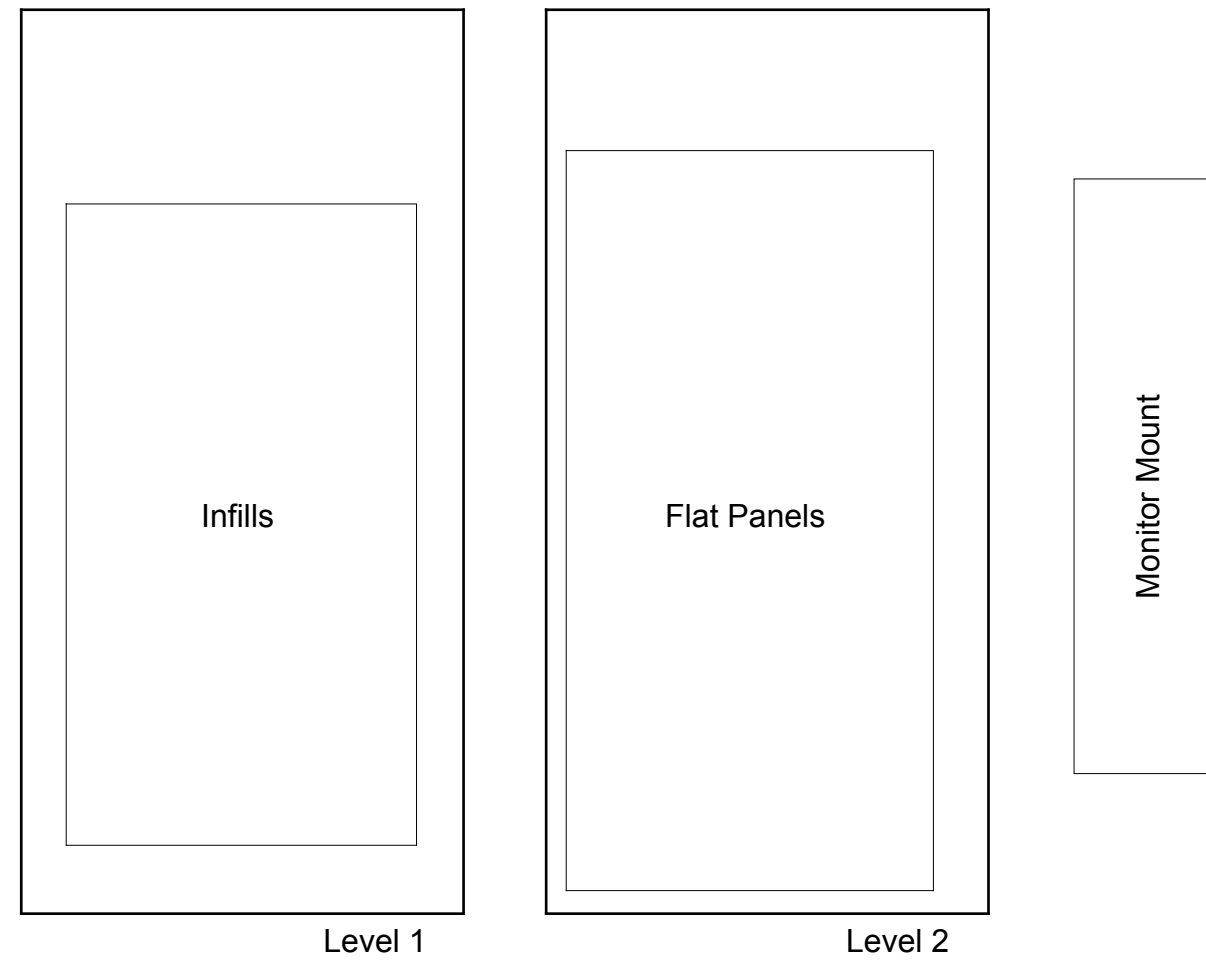


Level 3



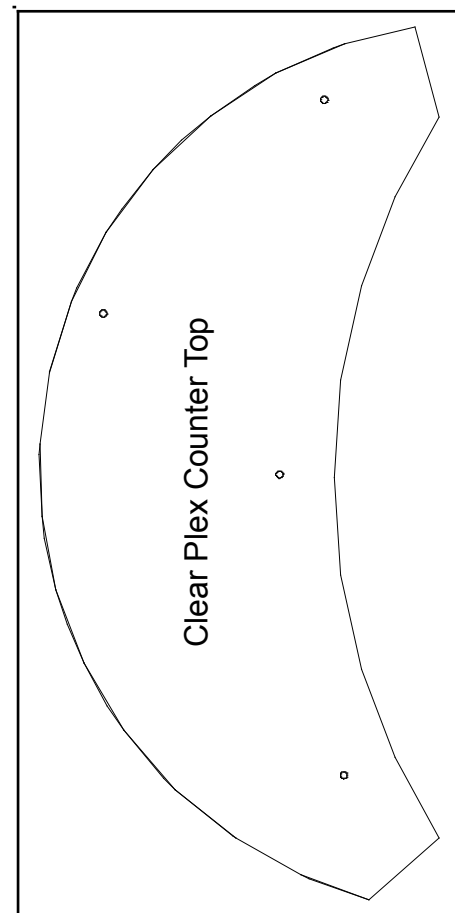
Case 3 Packing Instructions

Top View of Each Level

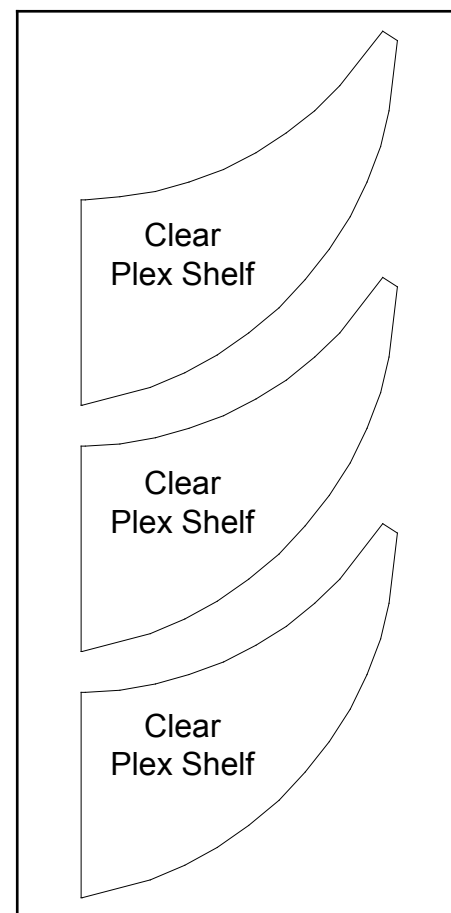


Case 4 Packing Instructions

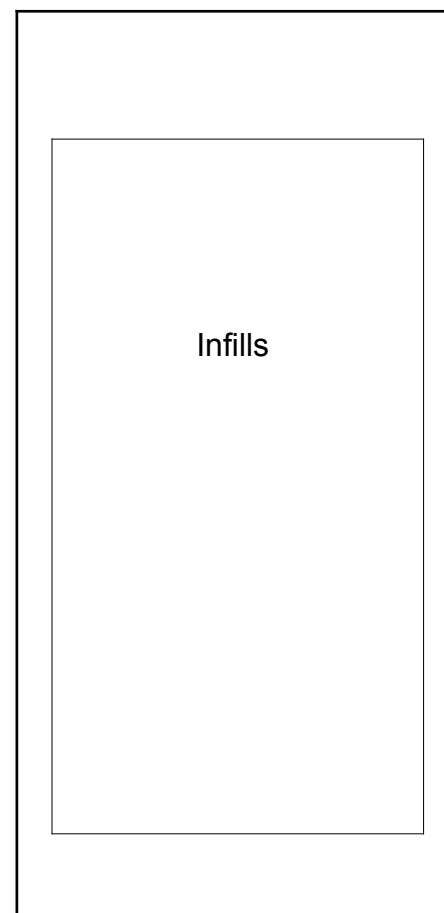
Top View of Each Level



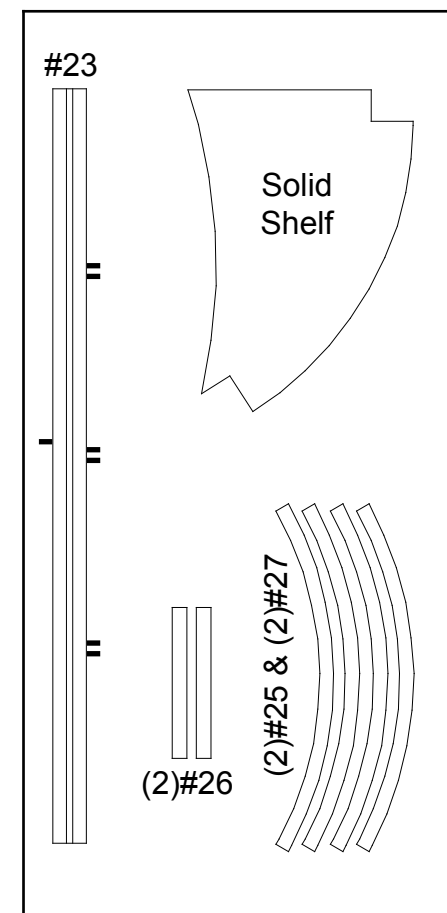
Level 1



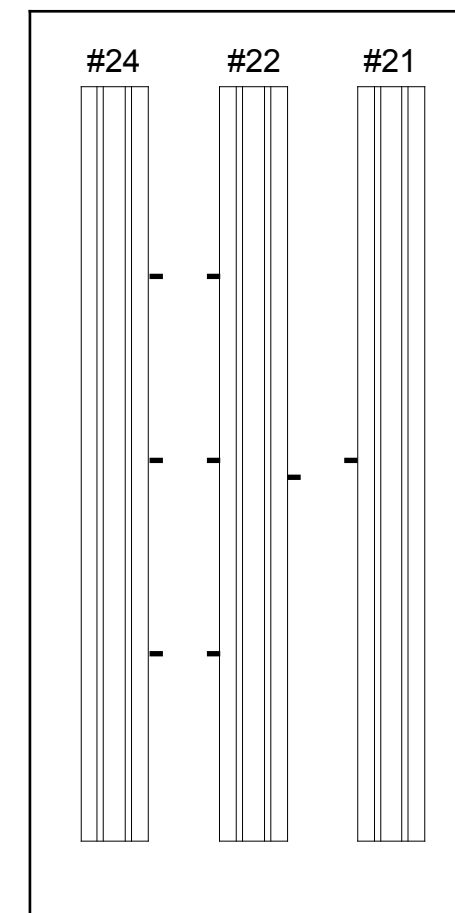
Level 2



Level 3



Level 4



Level 5