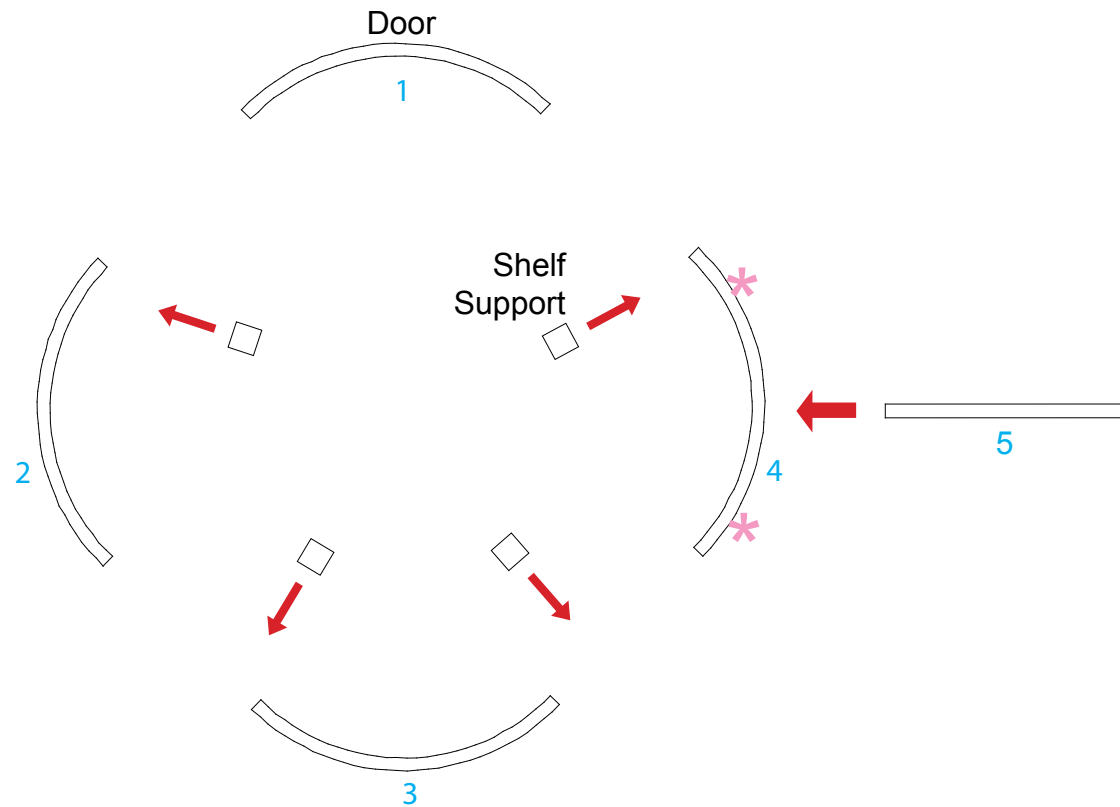


euro It

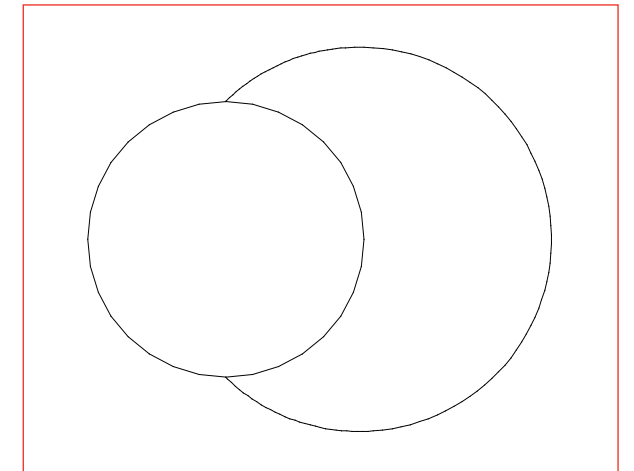
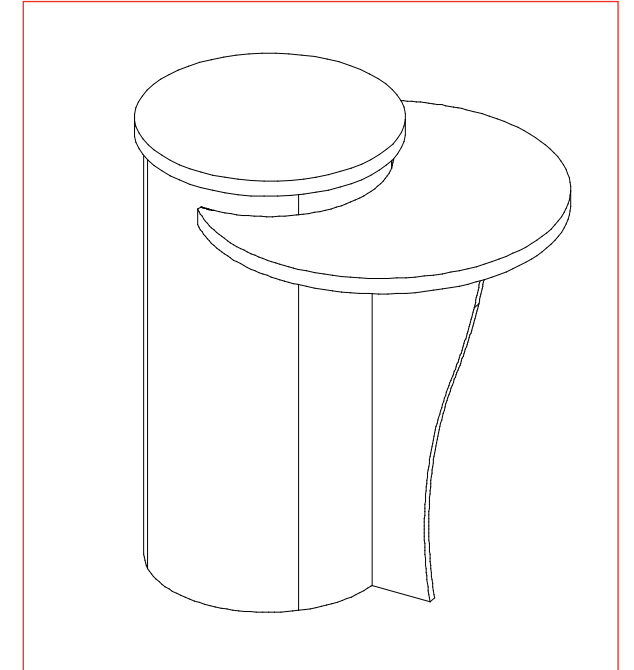
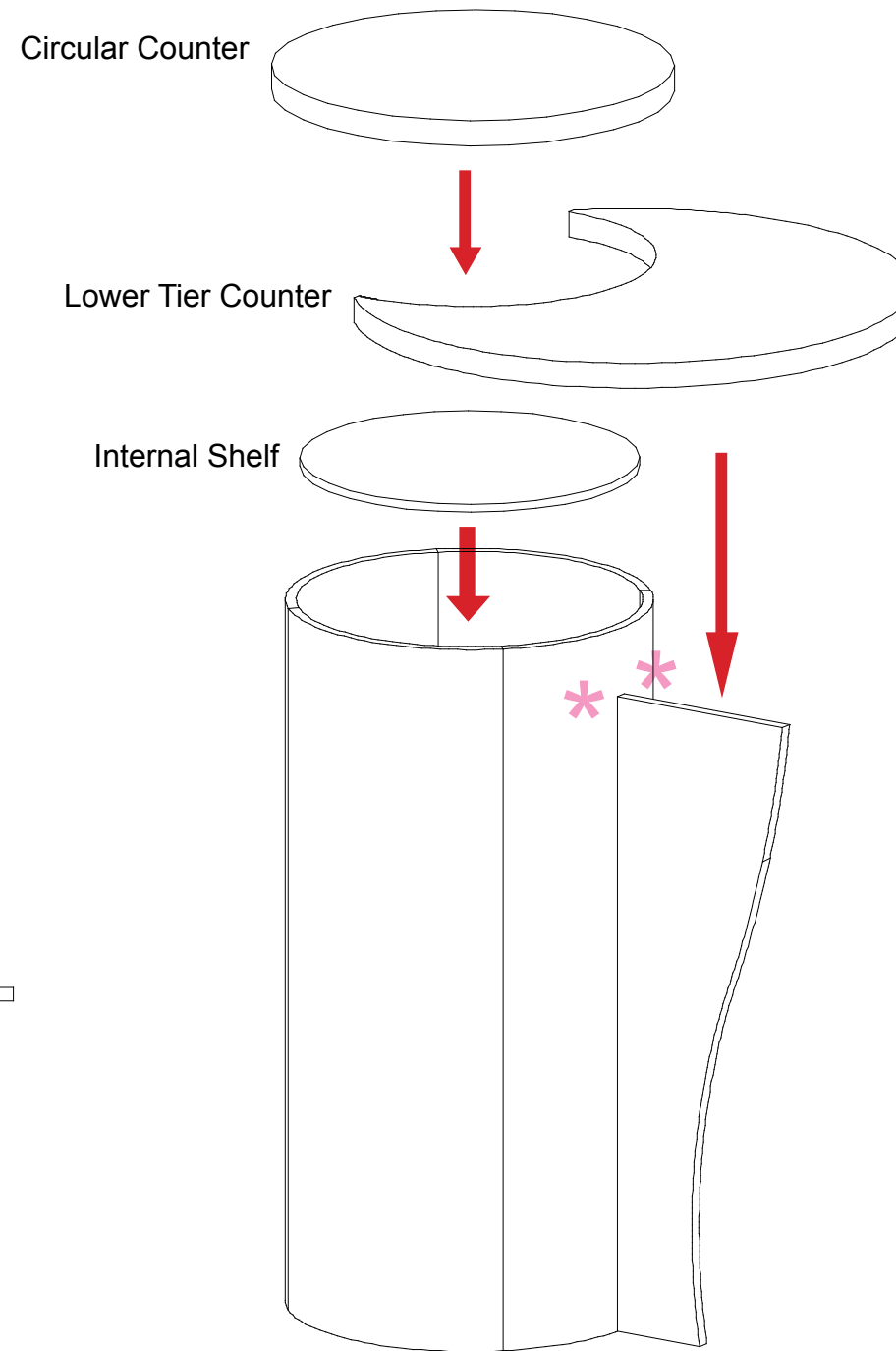
Item	Description
1	42”h Curved Panel w/ Door
2	42”h Curved Panel
3	42”h Curved Panel
4	42”h Curved Panel w/ Velcro
5	38”h Counter Support Panel

Steps:

- 1) Assemble panels in numerical order.
- 2) Attach counter support panel [5] to panel [4] w/ Velcro.
- 3) Velcro shelf supports to inside of assembled base.
- 4) Set internal shelf atop supports.
- 5) Place lower tier counter atop panel [5] and secure to panel [4] using thumbscrews.
- 4) Set circular counter atop assembled pedestal.



* = Thumbscrew Location

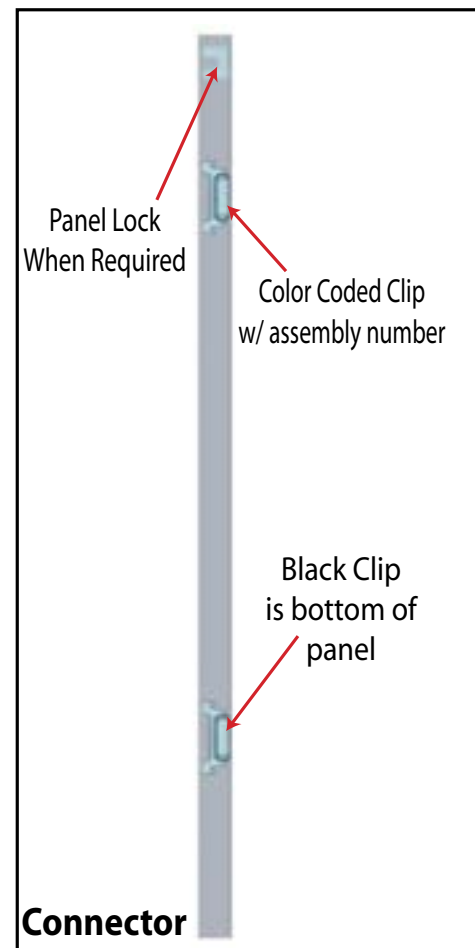


euro It | HYBRIDS

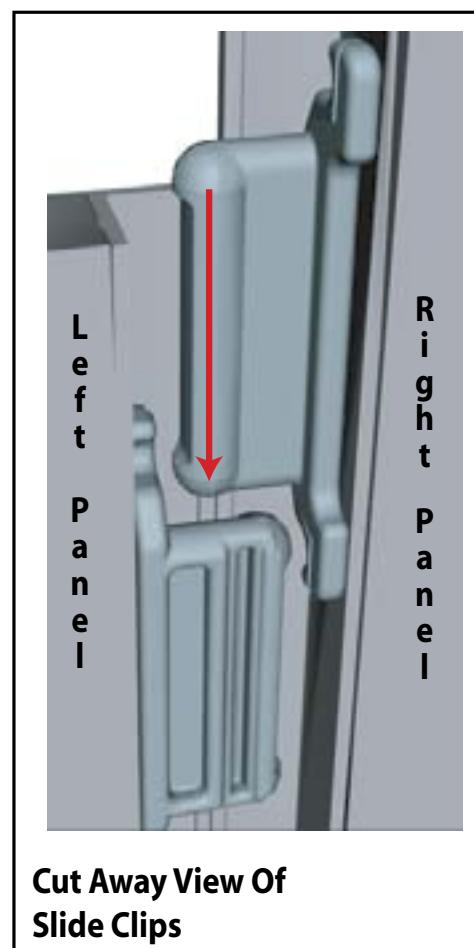
Euro LT Hybrids General Setup Instructions

Using Your Setup Instructions

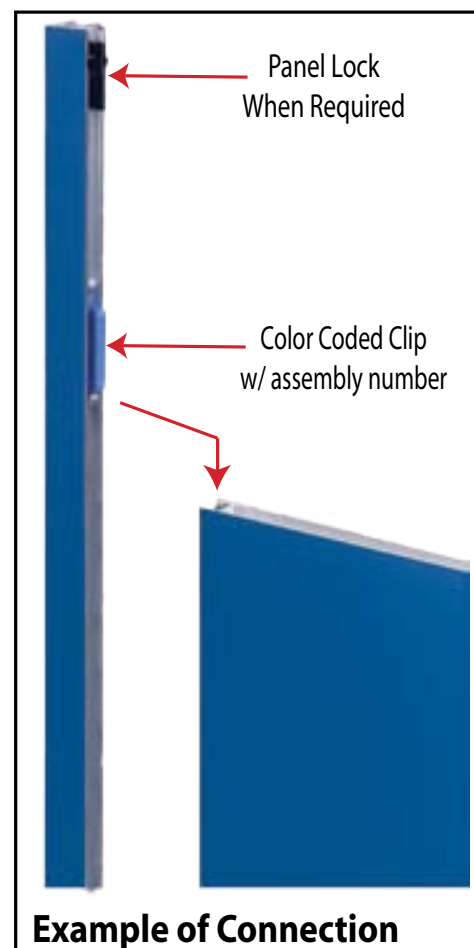
The Euro LT Hybrid Setup Instructions are created specifically for your configuration. They are laid out sequentially in levels, including exploded views, and a logical series of detailed steps to assemble the main structure and components. We encourage you to study the instructions **before** attempting to assemble your exhibit.



Each component has 2 clips, the lower clip is ALWAYS black.



Components connect together by aligning them and sliding downward connecting clips together.



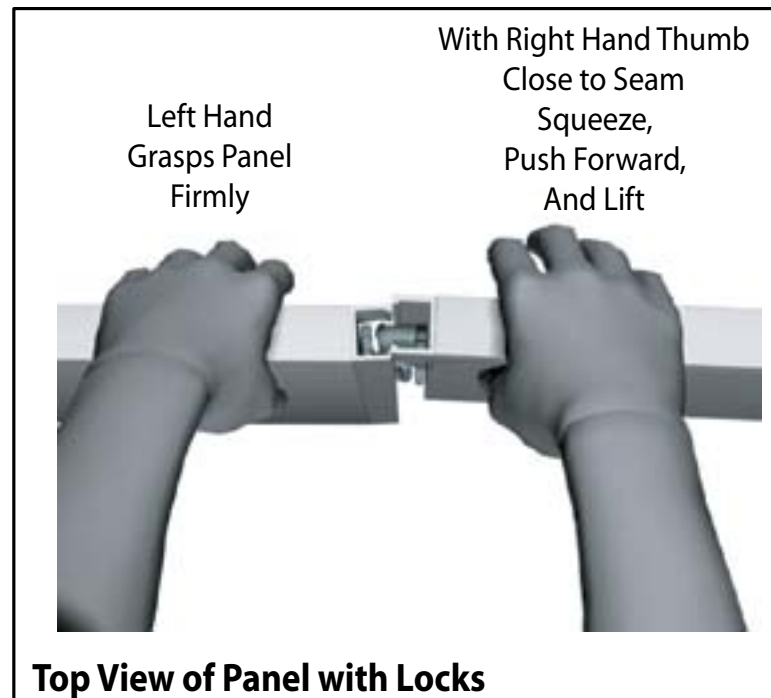
Configurations are assembled from left to right, usually starting with #1 and following the numbered sequence.

Cleaning and Packing Your Display

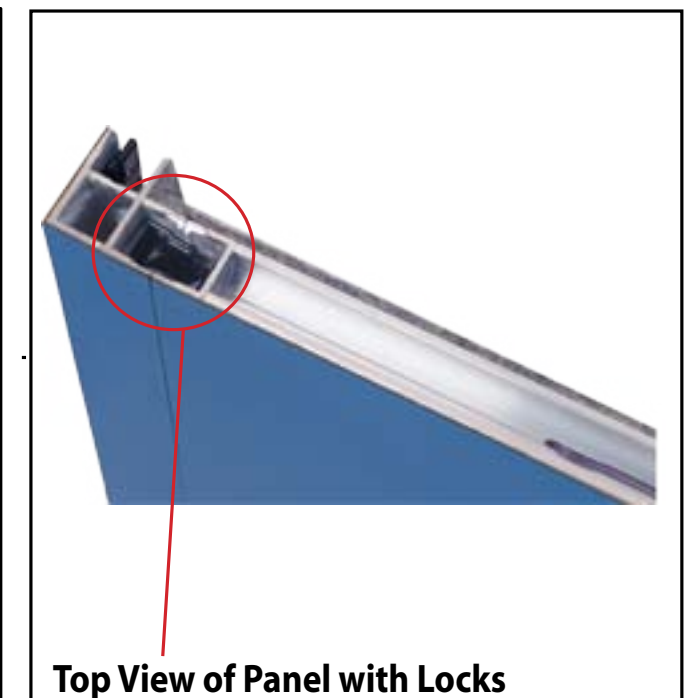
- 1) When cleaning laminate countertops or panels use mild cleansers and a soft material such as cotton.
- 2) Keep all display components away from extreme heat and long exposure to sunlight to avoid warping and fading.
- 3) Retain all packing material. It will make re-packing much easier and will reduce the likelihood of shipping damage.

- Level 1 = Blue
 Level 2 = Red
 Level 3 = Green
 Level 4 = Black
- Color Code**

The top clip is color coded to distinguish the level. The color coded clip also contains the numbered label.



The first level of components contains panel locks that are located at the top of the panel for extra stability and a seamless connection. When disassembling panels, twist top connection slightly and lift right panel upward.



Pedestal Components

