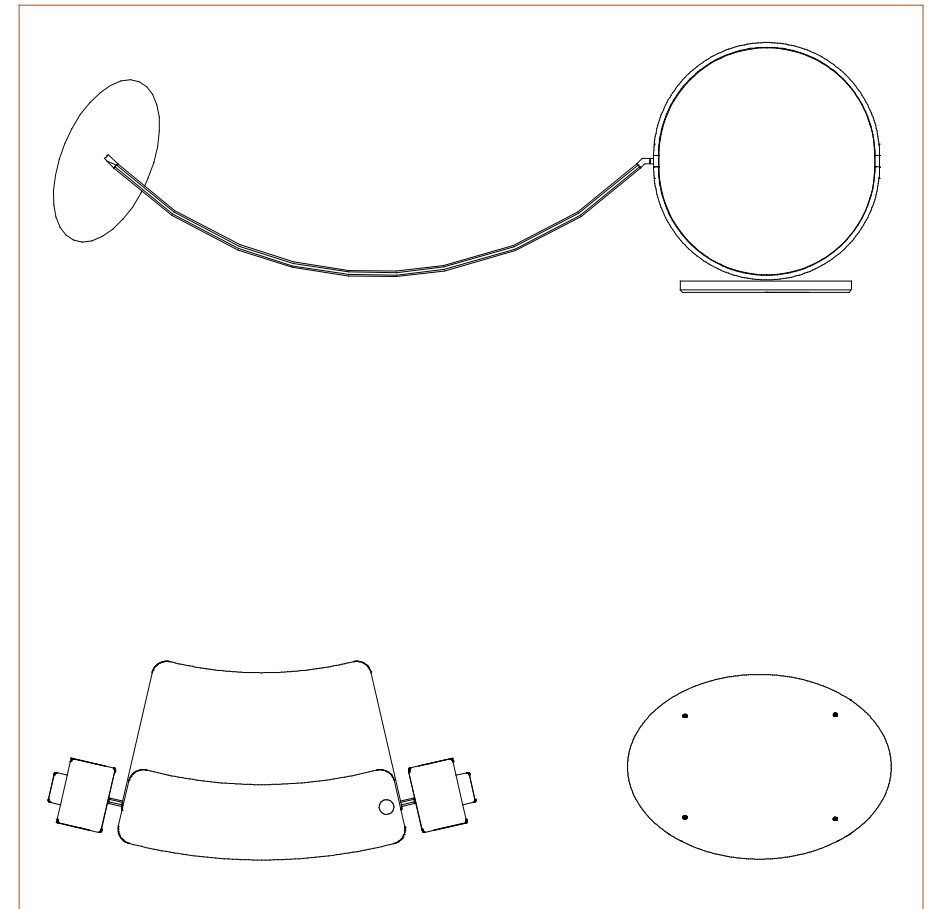
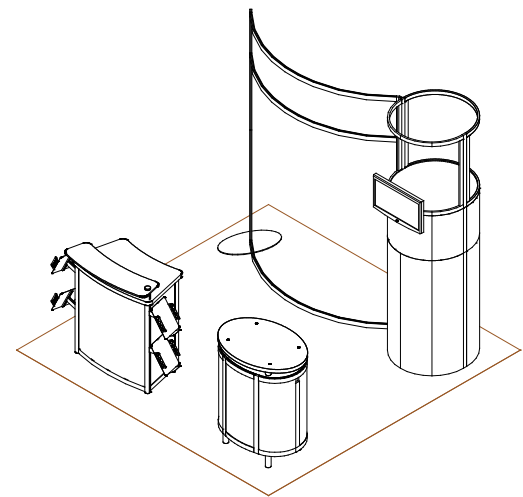
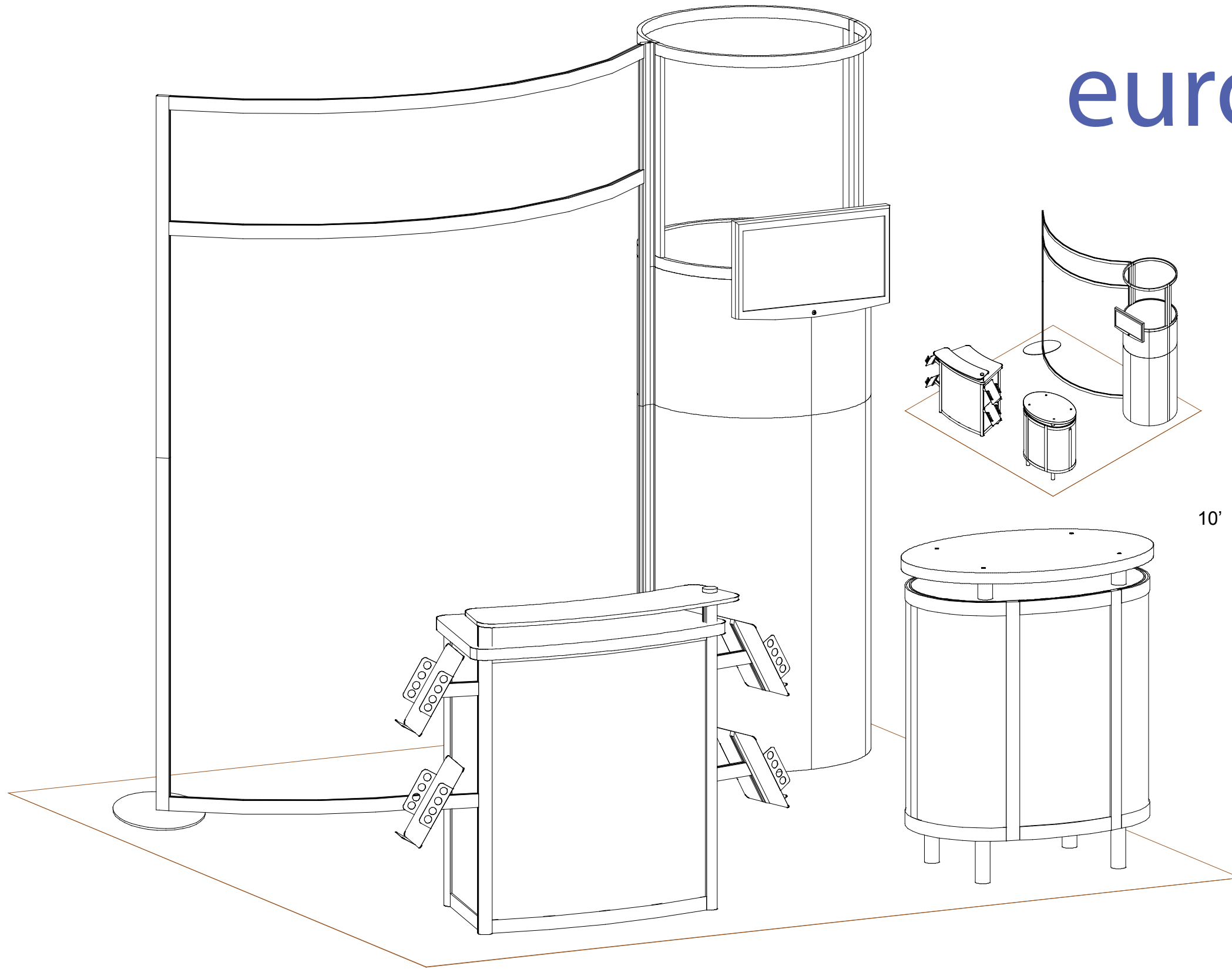


euro It | *HYBRIDS*



10'

10'

Plan View

WHEN DISASSEMBLING ALUMINUM EXTRUSION, TIGHTEN ALL SETSCREWS AND LOCKS TO PREVENT LOSS DURING SHIPPING

euro lt | HYBRIDS

Using Your Setup Instructions

The Euro LT Hybrids Setup Instructions are created specifically for your configuration. They are laid out sequentially in levels, including exploded views, and a logical series of detailed steps to assemble the main structure and components. We encourage you to study the instructions **before** attempting to assemble your exhibit.

Each page reminds you to tighten the setscrews after disassembling your exhibit to prevent loss of the locks and setscrews (see below in RED). This is VERY IMPORTANT.

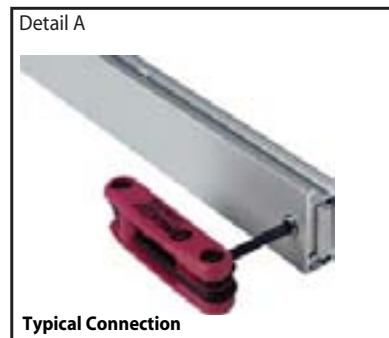
Cleaning and Packing Your Display

- 1) Use care when cleaning aluminum extrusion or acrylic inserts. Use only non-abrasive cleaners.
- 2) When cleaning laminate inserts, countertops, or panels use mild cleansers and a soft material such as cotton.
- 3) Keep all display components away from extreme heat and long exposure to sunlight to avoid warping and fading.
- 4) Retain all packing material. It will make re-packing much easier and will reduce the likelihood of shipping damage.

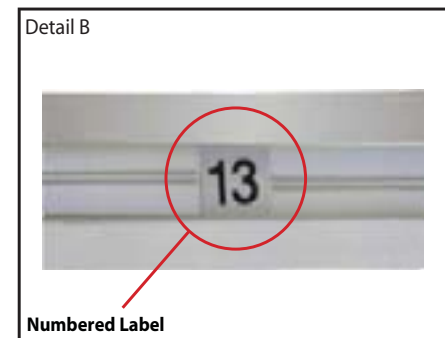
General Setup Instructions for Extrusion System



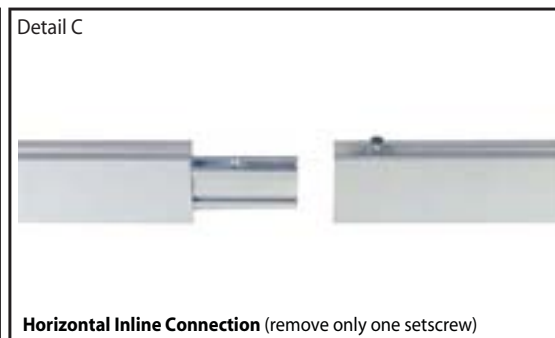
Most exhibits can be assembled with the supplied Hex Key Tool. Occasionally, a flat head screwdriver may be required.



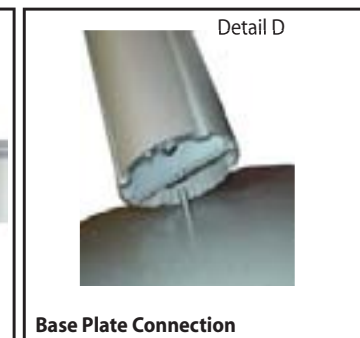
Most horizontal extrusion connections have a patented expandable lock. This lock inserts into the groove of an opposing extrusion. Tightening the lock with the Hex Key Tool expands the lock and creates a strong positive connection.



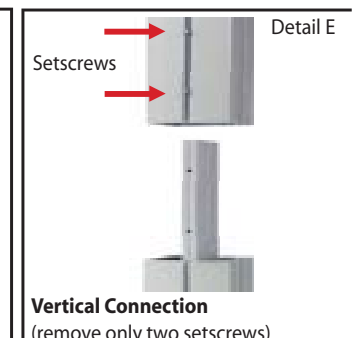
Each extrusion contains a numbered label which corresponds with setup instructions. The label is located within a groove of the extrusion (when possible). With extrusion components the labels contain Black numbers unless otherwise specified.



Remove only (1) setscrew when disassembling. Replace setscrew in extrusion after assembling it. Before packing, replace setscrew in extrusion to avoid losing it.

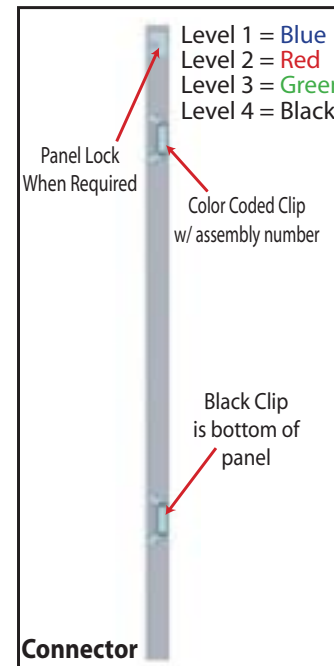


Attach base plate to round or square vertical extrusion using the bolt provided. Be careful not to strip the threads.

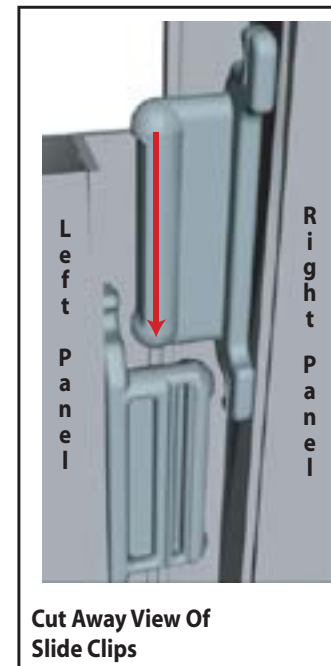


When vertical extrusions are packed in portable cases rather than crates or tubs, they must be broken down into smaller sections which then require assembly.

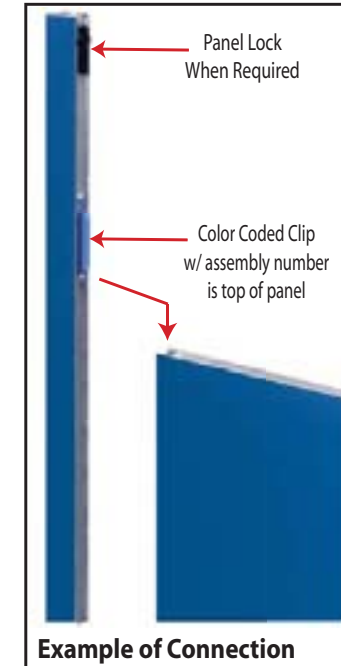
Remove only (2) setscrews when disassembling. Replace setscrew in extrusion after assembling it. Before packing, replace setscrew in extrusion to avoid losing the



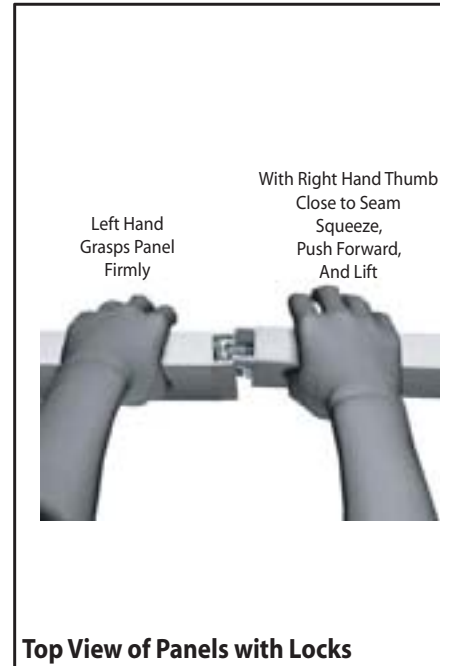
Each component has 2 clips, the lower clip is ALWAYS black. The top clip is color coded to distinguish which level. The color coded clip also contains the numbered label.



Components connect together by aligning them and sliding downward connecting clips together.



Configurations are assembled from left to right, usually starting with #1 and following the numbered sequence.



The first level of components contain panel locks that are located at the top of the panel for extra stability and seamless connection. When disassembling panels twist top connection slightly and lift right panel upward.

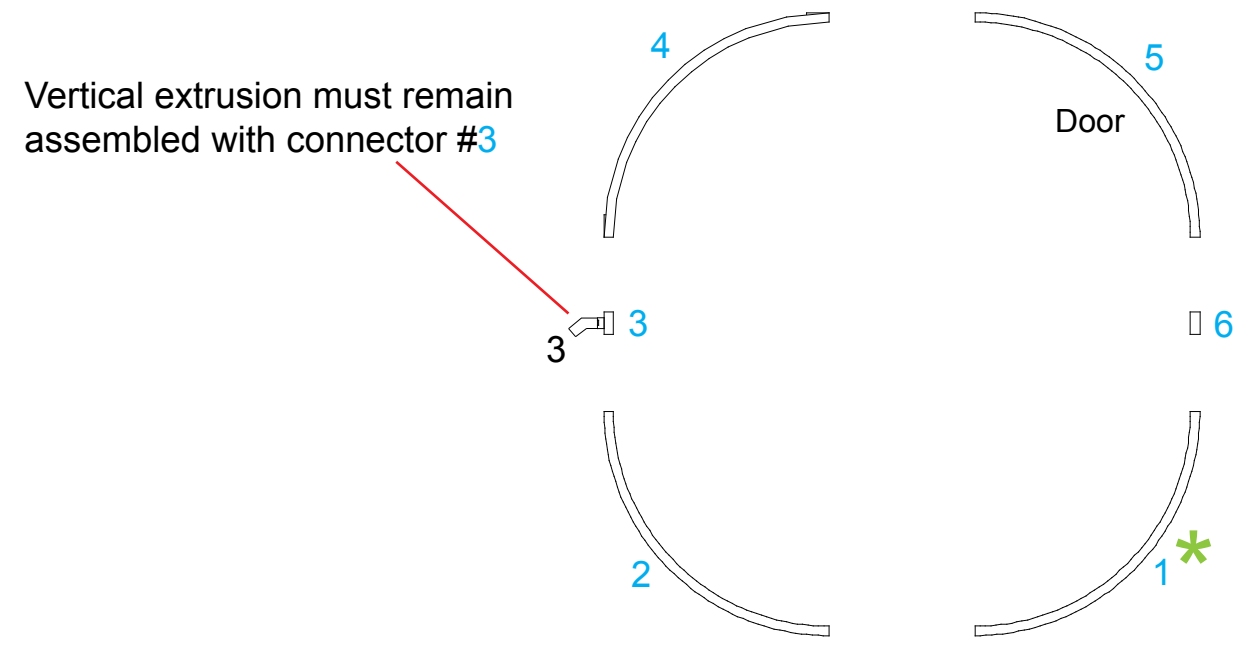
WHEN DISASSEMBLING ALUMINUM EXTRUSION, TIGHTEN ALL SETSCREWS AND LOCKS TO PREVENT LOSS DURING SHIPPING

Level 1

Item Number	Description
1	47.5"h x 15"r Curve Panel
2	47.5"h x 15"r Curve Panel
3	47.5"h 180° Connector
4	47.5"h x 15"r Curve Panel
5	47.5"h x 15"r Curve Panel
6	47.5"h 180° Connector

Steps:
Assemble panels together by starting at panel #1* and continue in numerical order.

Note: Extrusion #3 and connectors #3 must stay assembled



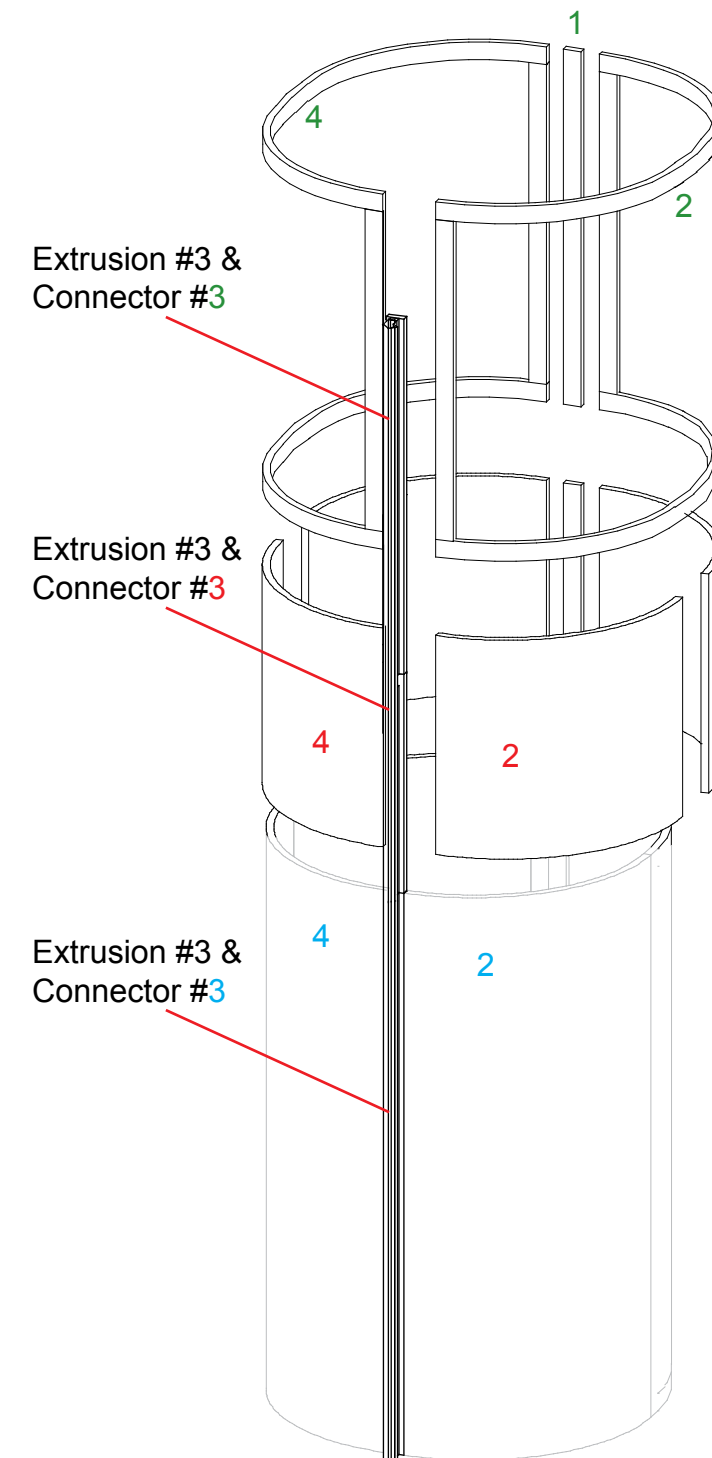
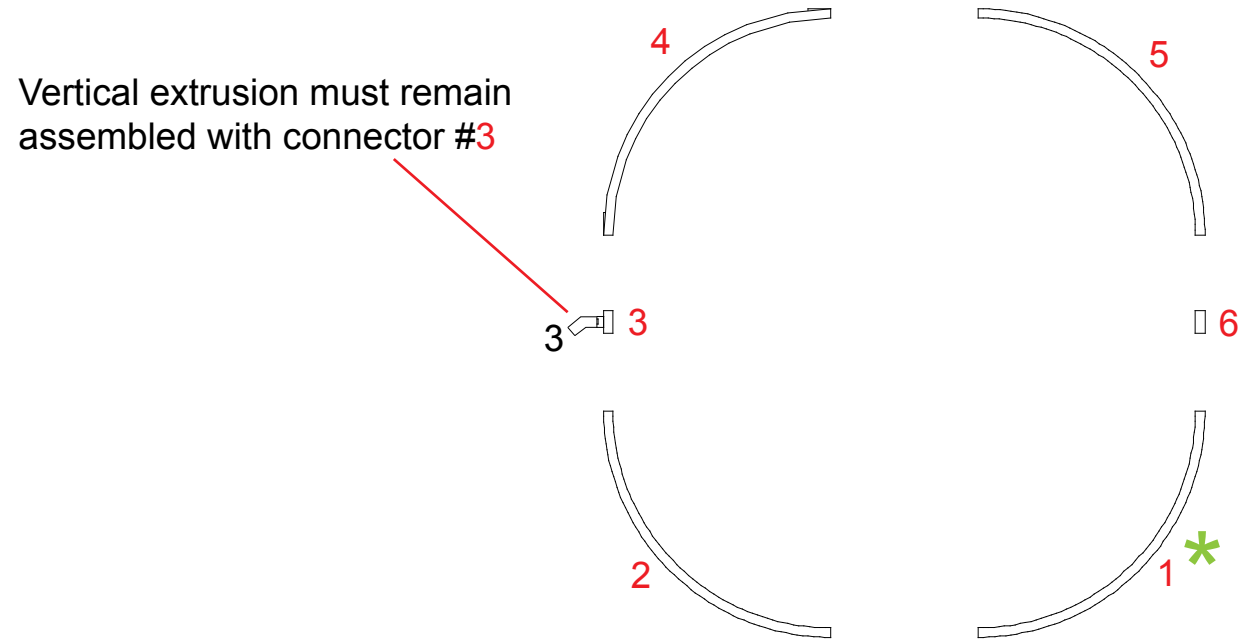
WHEN DISASSEMBLING ALUMINUM EXTRUSION, TIGHTEN ALL SETSCREWS AND LOCKS TO PREVENT LOSS DURING SHIPPING

Level 2

Item Number	Description
1	18.5"h x 15"r Curve Panel
2	18.5"h x 15"r Curve Panel
3	18.5"h 180° Connector
4	18.5"h x 15"r Curve Panel
5	18.5"h x 15"r Curve Panel
6	18.5"h 180° Connector

Steps:
Assemble panels together by starting at panel #1*

Note: Extrusion #3 and connectors #3 must stay assembled



WHEN DISASSEMBLING ALUMINUM EXTRUSION, TIGHTEN ALL SETSCREWS AND LOCKS TO PREVENT LOSS DURING SHIPPING

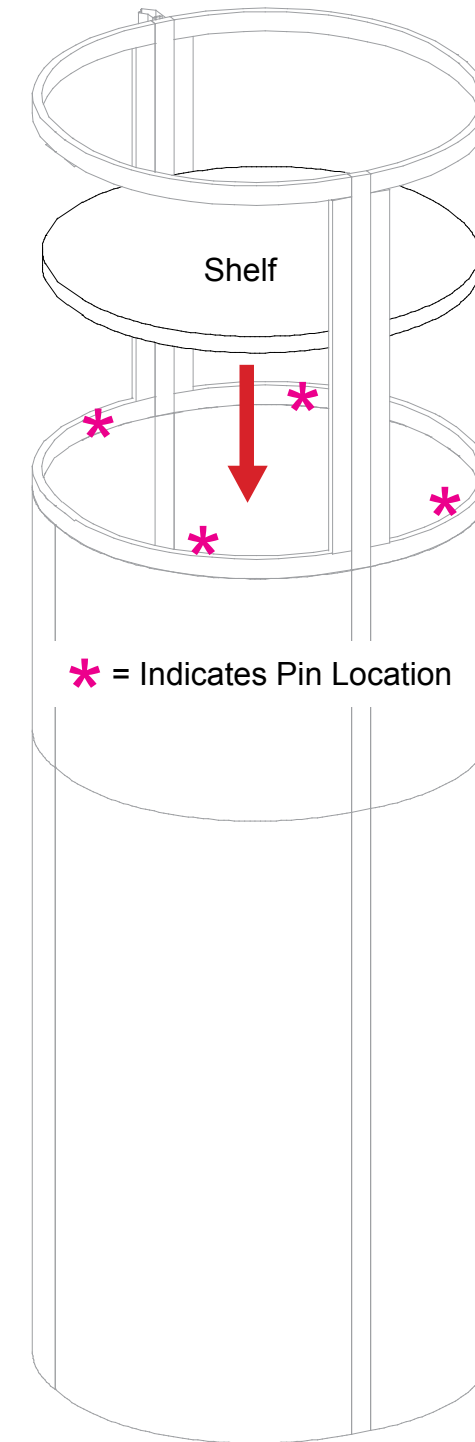
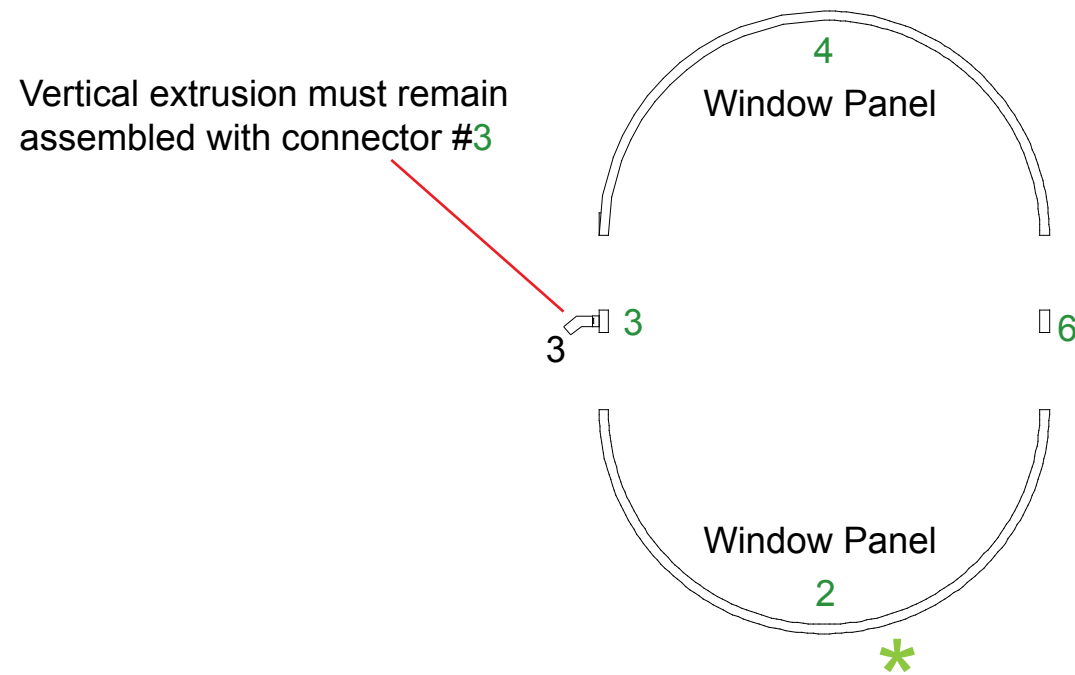
Level 3

Item Number	Description
2	30"h Curve Window Panel w/ Perforated Infill
3	30"h 180° Connector
4	30"h Curve Window Panel w/ Perforated Infill
6	30"h 180° Connector

Steps:
 Assemble panels together by starting at panel #2* and continue in numerical order.

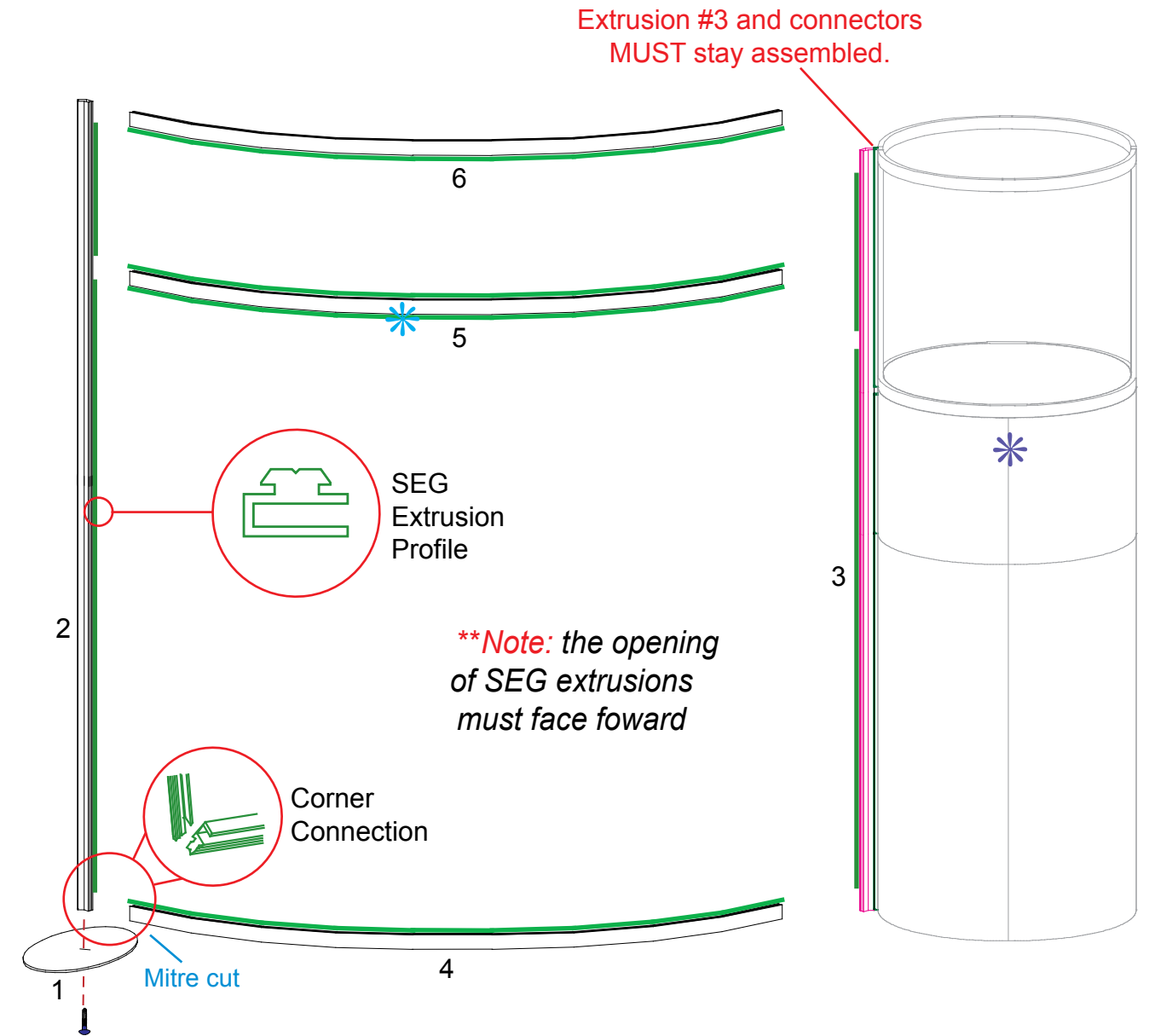
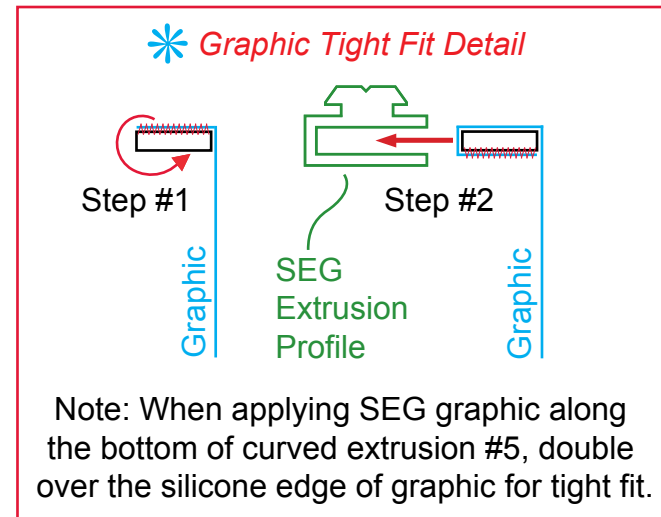
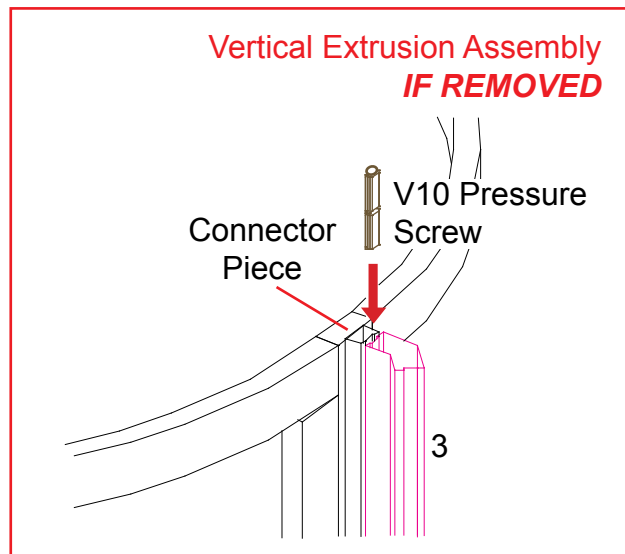
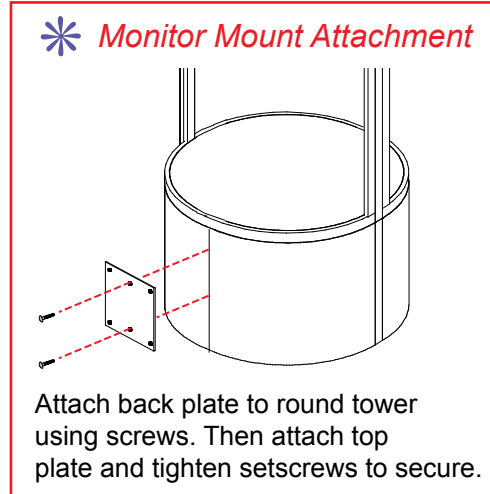
Attach pins to lower inner side of window frame where indicated, then set shelf atop pins.

Note: Extrusion #3 and connectors #3 must stay assembled

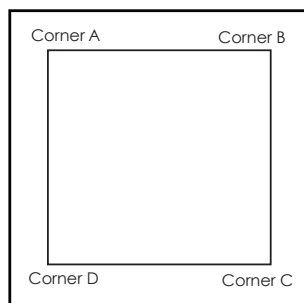


WHEN DISASSEMBLING ALUMINUM EXTRUSION, TIGHTEN ALL SETSCREWS AND LOCKS TO PREVENT LOSS DURING SHIPPING

Item	Qty.	Description
1	1	Base Plate
2	1	95.751" Vertical Extrusion
3	1	95.751" Vertical Extrusion
4	1	77.698" Curve Horizontal Extrusion
5	1	77.698" Curve Horizontal Extrusion
6	1	77.698" Curve Horizontal Extrusion



Graphic: To Ensure Proper Fit



It is important to first insert graphic into each alternate corner then to the sides of the frame. If this is not done, graphic will not fit into the frame correctly.



Step 1
Insert corner A. Turn edge of graphic so silicon welt is perpendicular to face of graphic. Insert narrow side of welt with fabric to outside of corner.



Step 2
Repeat Step 1 for opposite corner C, then insert corner B, followed by corner D, to complete the installation of the corners.



Step 3
Once all corners are inserted, press one silicone edge into channel from corners and work toward the center. Make sure welt is fully inserted.



Graphic Removal
To remove the graphic from the frame, locate the fabric pull tab. Gently pull up on the tab to remove the fabric.

Steps:

- 1) Attach vertical extrusion [2] to base plate [1].
- 2) Attach horizontal extrusions between vertical extrusions as show.
- 3) Apply graphic to assembled backwall. Refer to *Graphic Tight Fit Detail* detail.

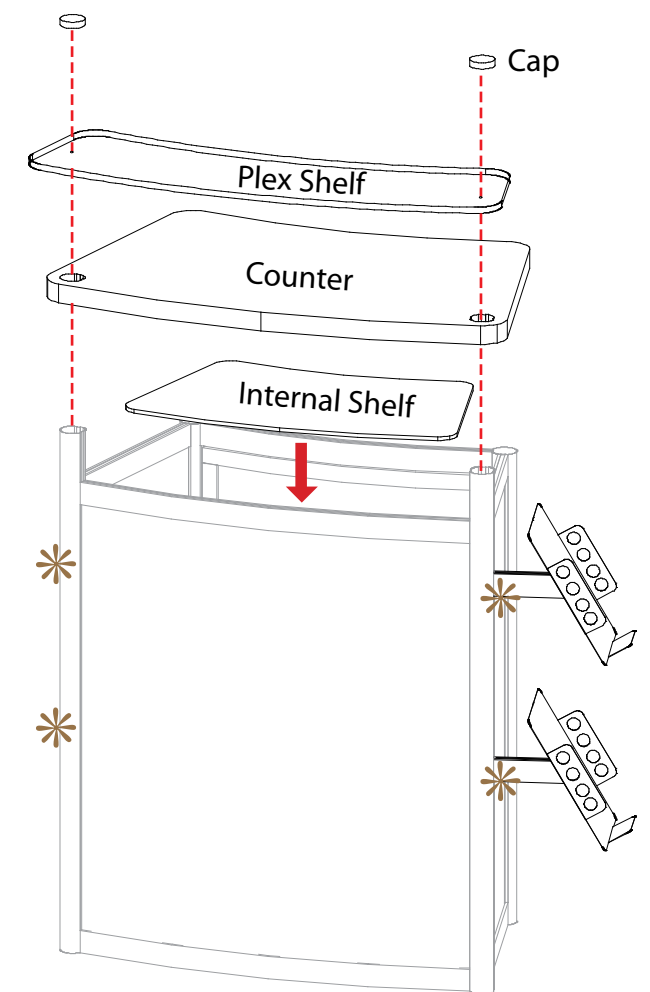
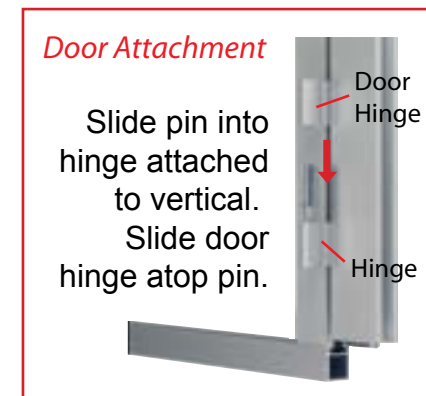
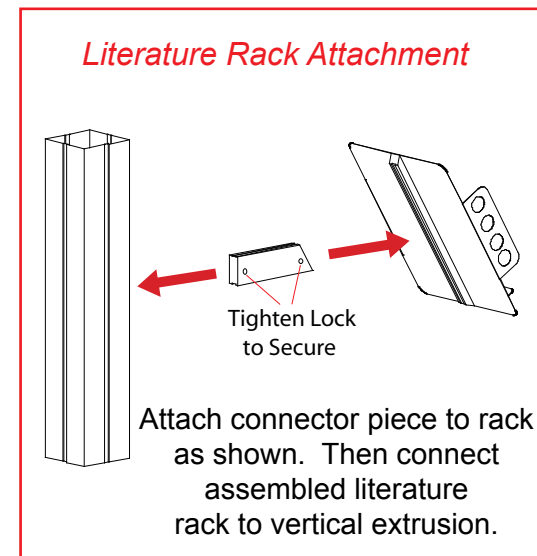
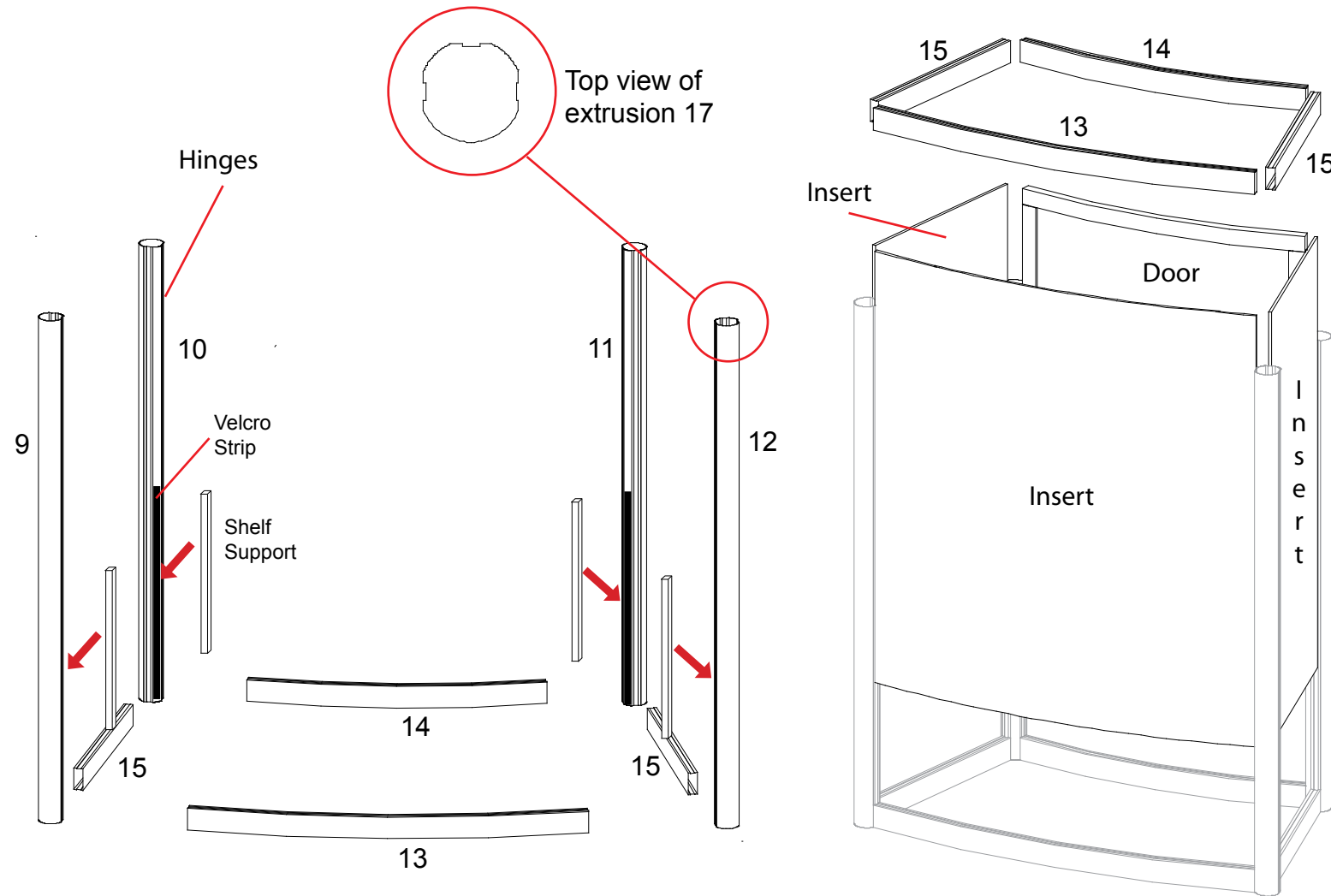
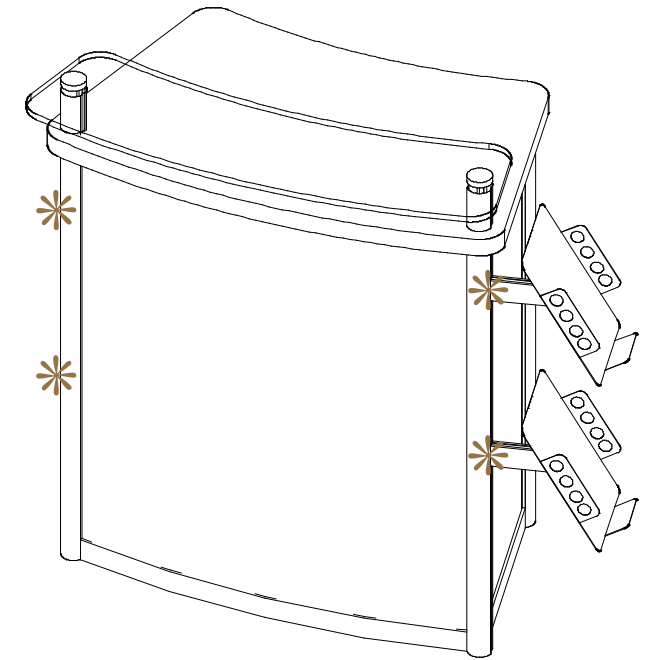
WHEN DISASSEMBLING ALUMINUM EXTRUSION, TIGHTEN ALL SETSCREWS AND LOCKS TO PREVENT LOSS DURING SHIPPING

866.652.2100

Item	Quantity	Description
9	1	42" h Round Vertical Extrusion
10	1	38" h Round Vertical Extrusion w/ Door Stopper
11	1	38" h Round Vertical Extrusion w/ Hinges
12	1	42" h Round Vertical Extrusion
13	2	31.85" Curved Horizontal Extrusion
14	2	23.8" Curved Horizontal Extrusion
15	4	16" Horizontal Extrusion

Steps:

- 1) Attach lower horizontal extrusions [13, 14 and 15] between vertical extrusions [9, 10, 11 and 12] as shown.
- 2) Place inserts and attach door where indicated.
- 3) Attach upper horizontal extrusions [13, 14 and 15] between vertical extrusions [9, 10, 11 and 12] as shown.
- 4) Velcro internal shelf supports to inside assembled pedestal
- 5) Set internal shelf atop shelf supports
- 6) Slide counter top on vertical extrusions [9 and 12] and rest atop pedestal.
- 7) Attach plex shelf using caps.



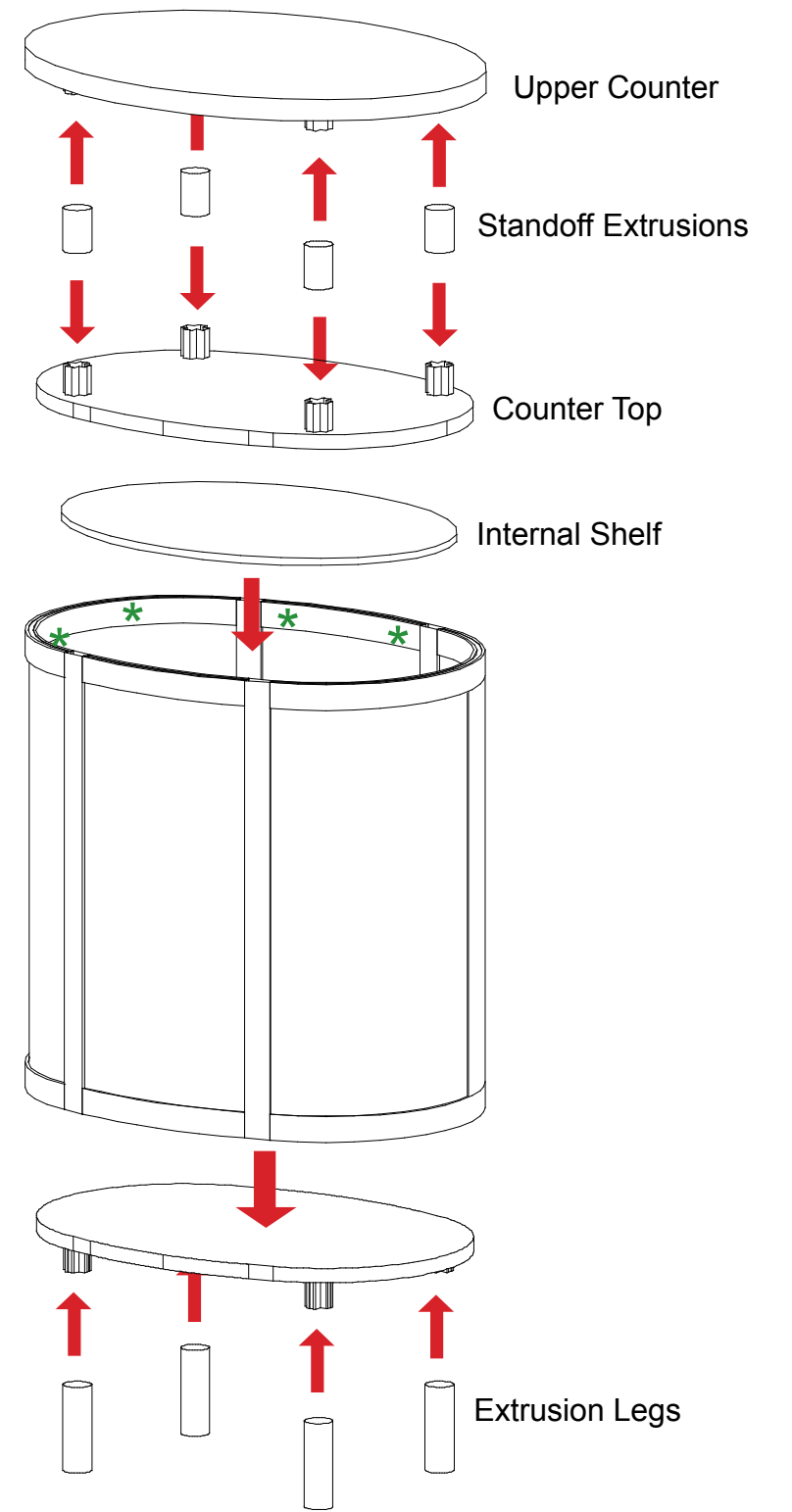
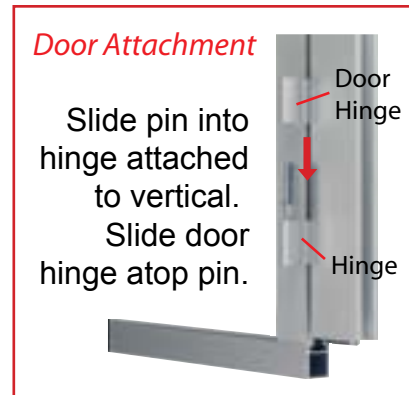
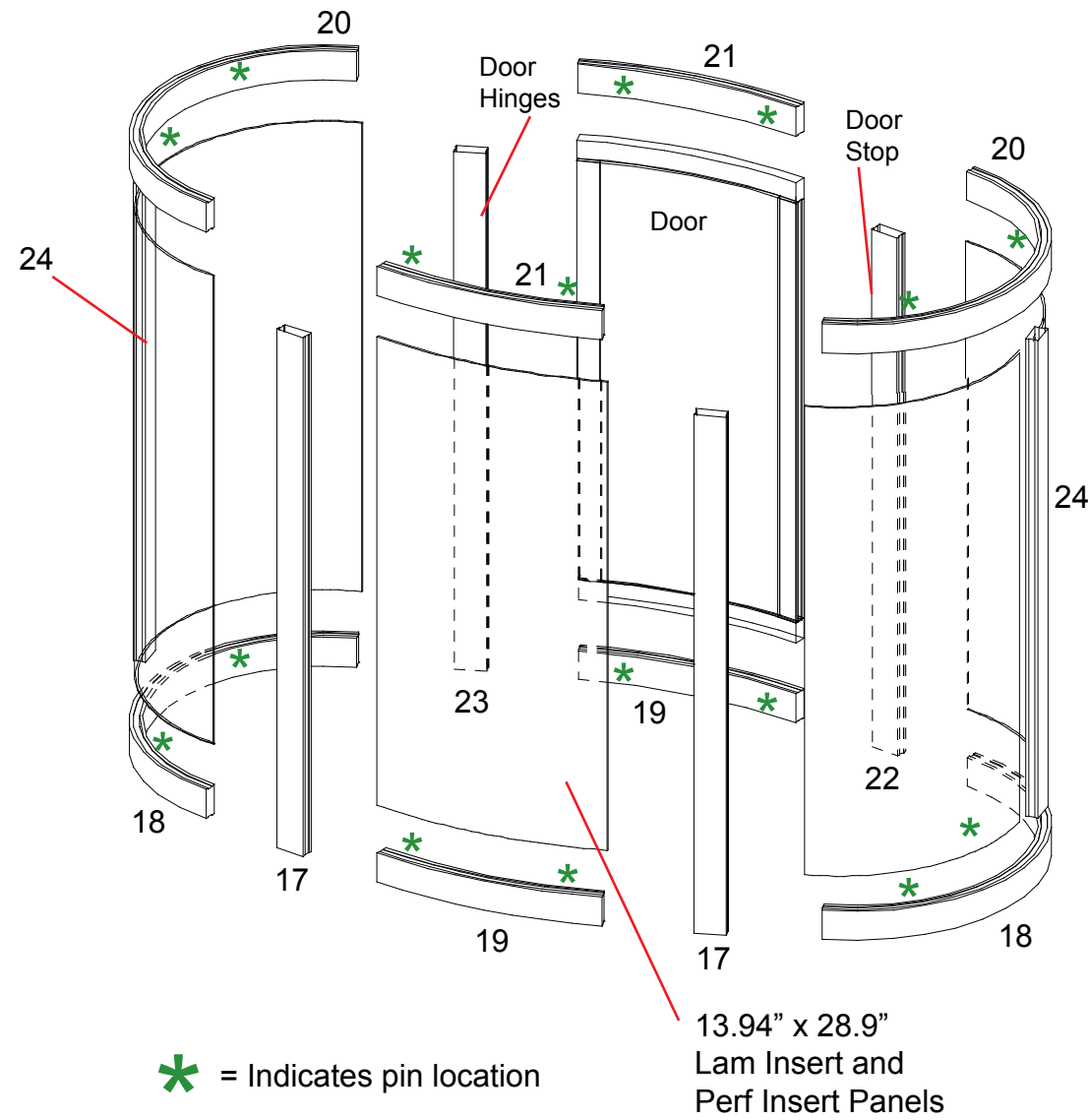
WHEN DISASSEMBLING ALUMINUM EXTRUSION, TIGHTEN ALL SETSCREWS AND LOCKS TO PREVENT LOSS DURING SHIPPING

866.652.2100

Item	Quantity	Description
17	2	32" h Vertical Extrusion
18	2	28.77" Curve Horizontal Extrusion
19	2	13.6" Curve Horizontal Extrusion
20	2	28.77" Curve Horizontal Extrusion
21	2	13.6" Curve Horizontal Extrusion
22	1	32" h Vertical Extrusion w/ Door Stop
23	1	32" h Vertical Extrusion w/ Door Hinges
24	2	28.418" h Vertical Extrusion

Steps:

- 1) Attach lower horizontal extrusions [18 and 19] between vertical extrusions [17, 22 and 23] as shown.
- 2) Place inserts and attach door where indicated.
- 3) Attach upper horizontal extrusions [18 and 19] between vertical extrusions [17, 22 and 23] as shown.
- 4) Attach extrusion legs to underside of floor,
- 5) Attach short pins to lower horizontal extrusions where indicated in *, then place assembled base on floor.
- 6) Velcro shelf supports to inside of assembled base, then set shelf atop supports.
- 7) Connect 2 counters together using standoff extrusions.
- 8) Attach short pins to upper horizontal extrusions where indicated in, then place assembled counters atop pins.



WHEN DISASSEMBLING ALUMINUM EXTRUSION, TIGHTEN ALL SETSCREWS AND LOCKS TO PREVENT LOSS DURING SHIPPING