



Item	Quantity	Description
1	1	Custom Oval Base Plate
2	1	33" Round Vertical Extrusion
3	1	33" Round Vertical Extrusion
4L/4R	1/1	38" Tapered Round Vertical Extrusion
5L/5R	1/1	38" Tapered Round Vertical Extrusion
6	2	Horizontal Support

**Step 1:**

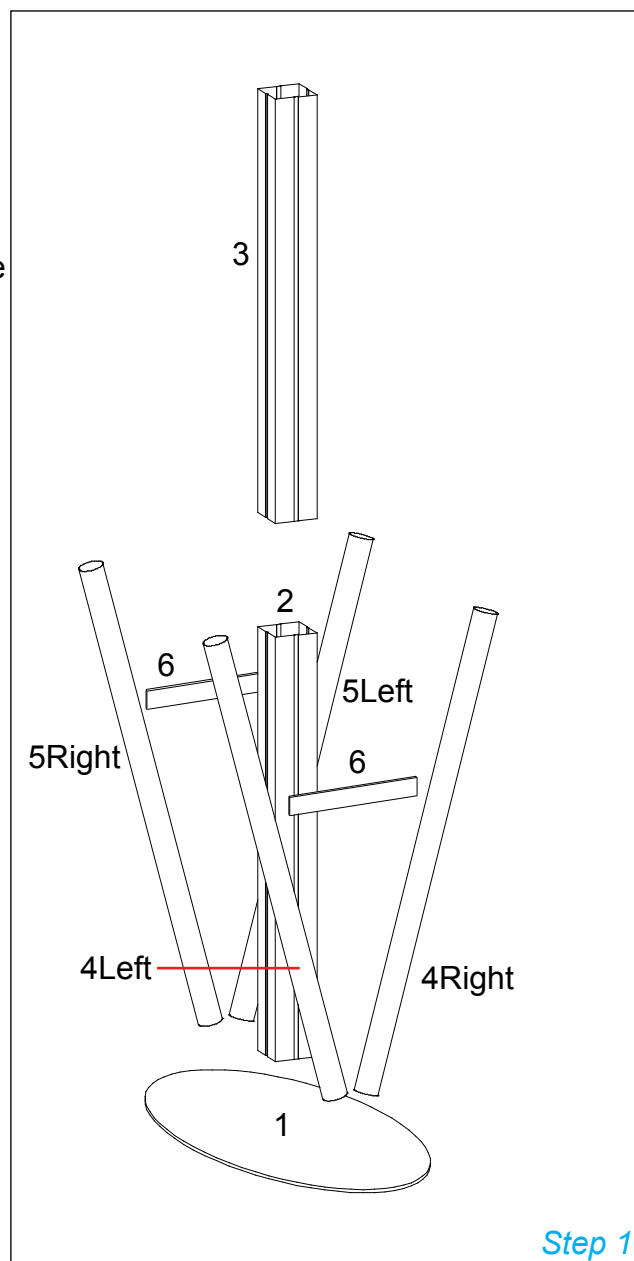
- a) Attach 35" vertical extrusion [2] to custom oval base plate [1].
- b) Attach 35" vertical extrusion [3] to vertical extrusion [2].
- c) Attach 38" tapered round vertical extrusions [4R, 4L, 5R and 5L] to the custom oval base plate.
- d) Connect horizontal extrusion [6] between tapered round extrusions [4R,4L,5R,5L].

**Step 2:**

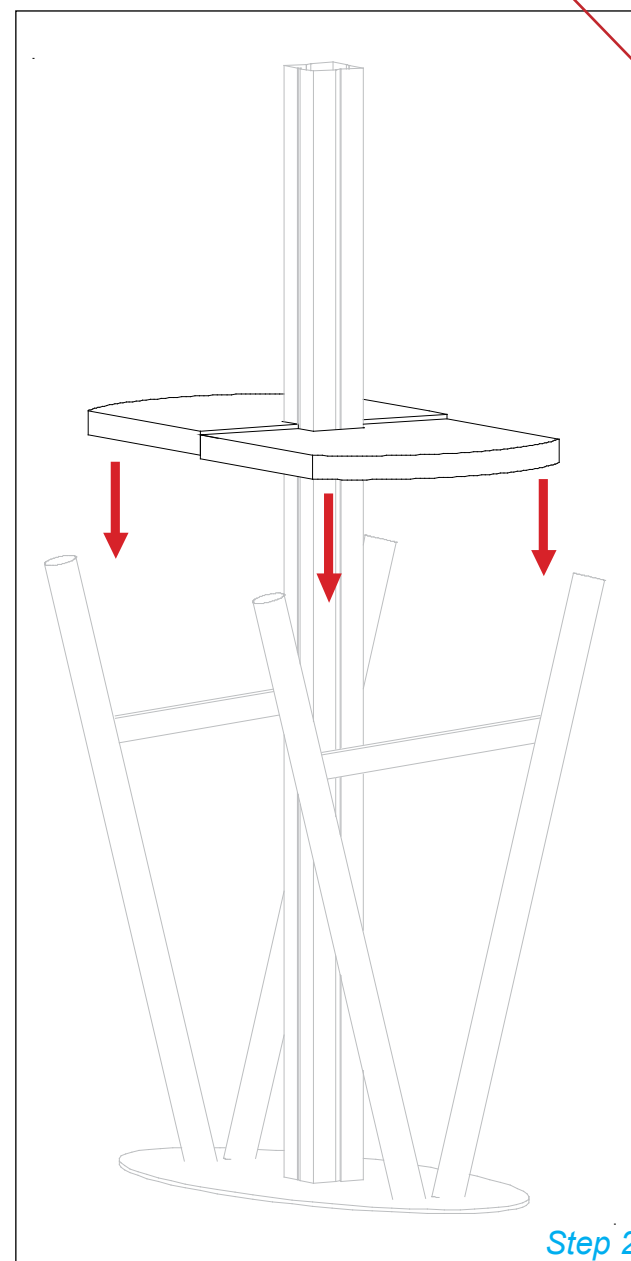
- a) Attach lower shelves to extrusions.

**Step 3:**

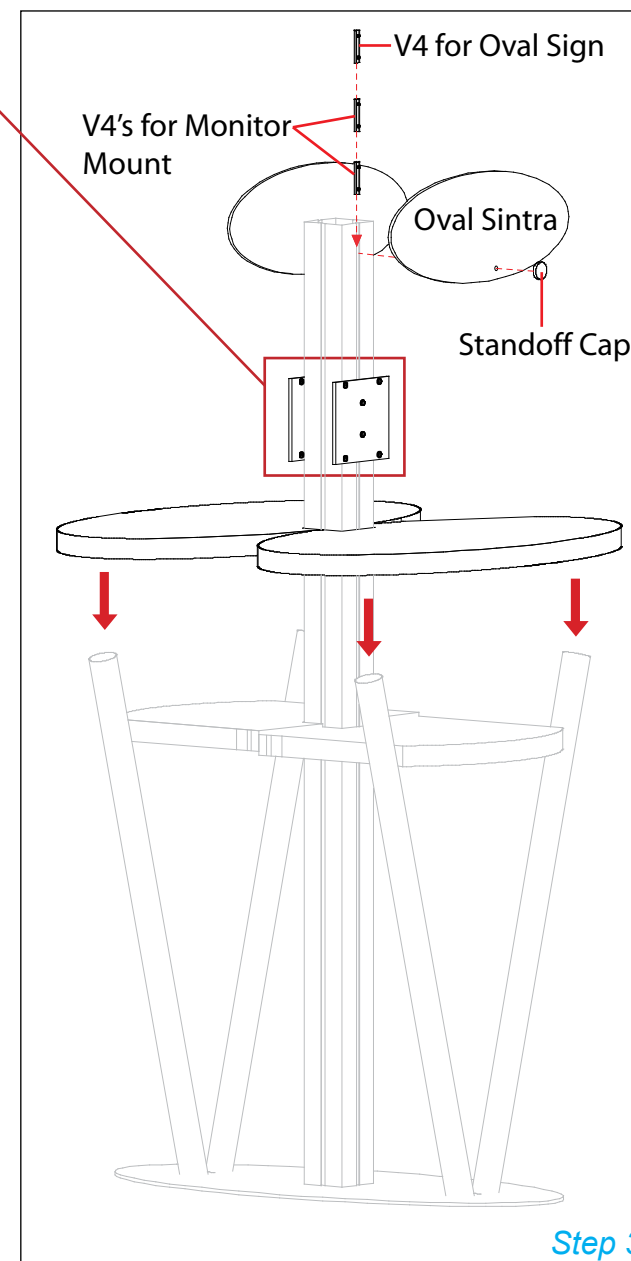
- a) Attach counters to extrusions.
- b) Attach monitor mounts to vertical extrusions - refer to detail.
- c) Slide V4 for Oval Sintra piece into groove of extrusion as shown, tighten into desired location.
- d) Attach Oval Sintra using standoff cap.



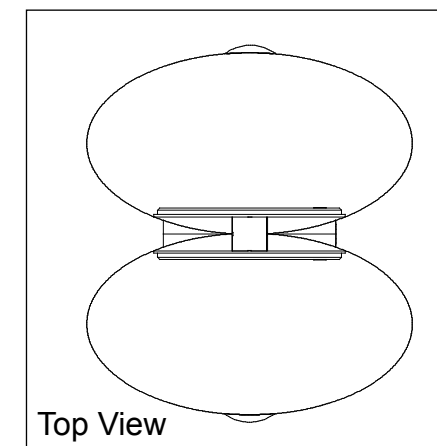
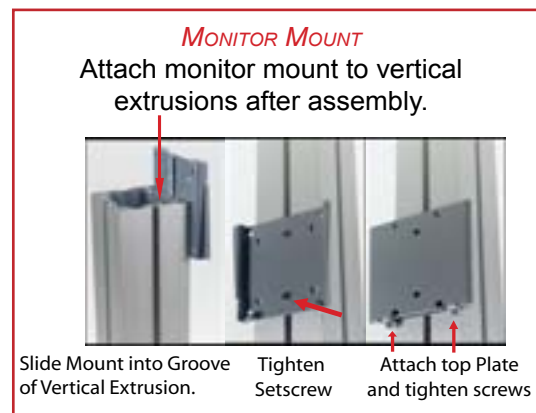
Step 1



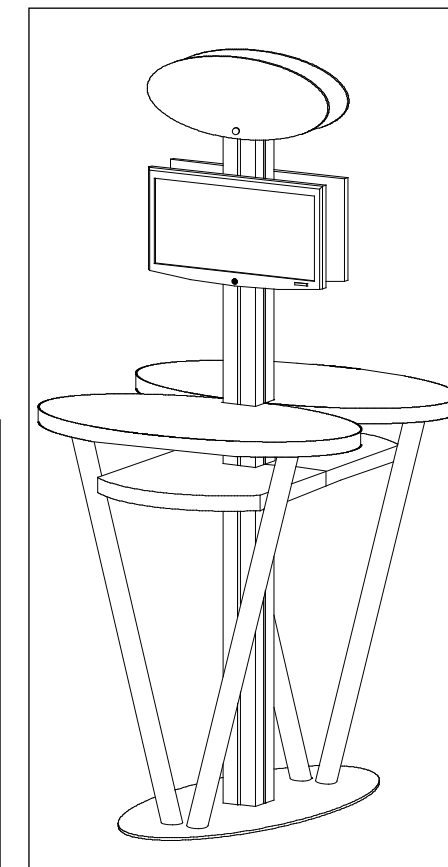
Step 2



Step 3



Top View



**WHEN DISASSEMBLING ALUMINUM EXTRUSION, TIGHTEN ALL SETSCREWS AND LOCKS TO PREVENT LOSS DURING SHIPPING**

# visionary™ IDESIGNS

## Using Your Setup Instructions

The Visionary Designs Setup Instructions are created specifically for your configuration. They are laid out sequentially, including an exploded view of the entire display, and then a logical series of detailed steps to assemble the main structure and components. We encourage you to study the instructions **before** attempting to assemble your exhibit.

Each page reminds you to tighten the setscrews after disassembling your exhibit to prevent loss of the locks and setscrews (see below in RED). This is **VERY IMPORTANT**.

## Cleaning and Packing Your Display

- 1) Use care when cleaning aluminum extrusion or acrylic inserts. Use only non-abrasive cleaners.
- 2) When cleaning laminate inserts or countertops, use mild cleansers and a soft material such as cotton.
- 3) Keep all display components away from extreme heat and long exposure to sunlight to avoid warping and fading.
- 4) Retain all packing material. It will make re-packing much easier and will reduce the likelihood of shipping damage.



The Tool

Most Visionary Designs exhibits can be assembled with the supplied Hex Key Tool. Occasionally, a flat head screwdriver may be required.

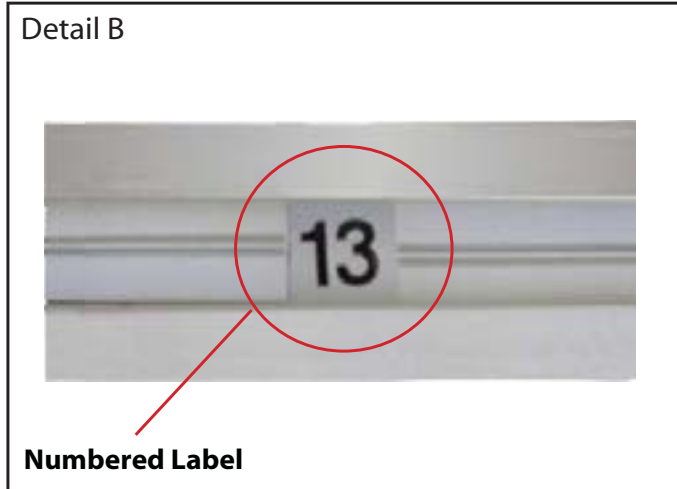


Typical Connection

Most horizontal extrusion connections have a patented expandable lock. This lock inserts into the groove of an opposing extrusion. Tightening the lock with the Hex Key Tool expands the lock and creates a strong positive connection.



Typical Connection (cont'd)



Detail B

Numbered Label

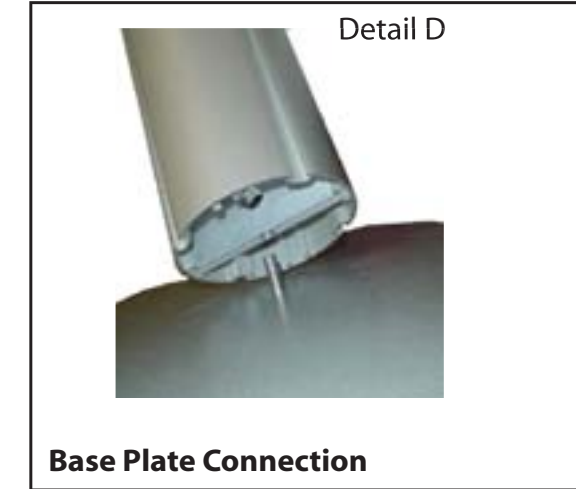
Each extrusion contains a numbered label which corresponds with setup instructions. The label is located within a groove of the extrusion (when possible). With Visionary Designs the labels contain Black numbers unless otherwise specified.



Detail C

Horizontal Inline Connection (remove only one setscrew)

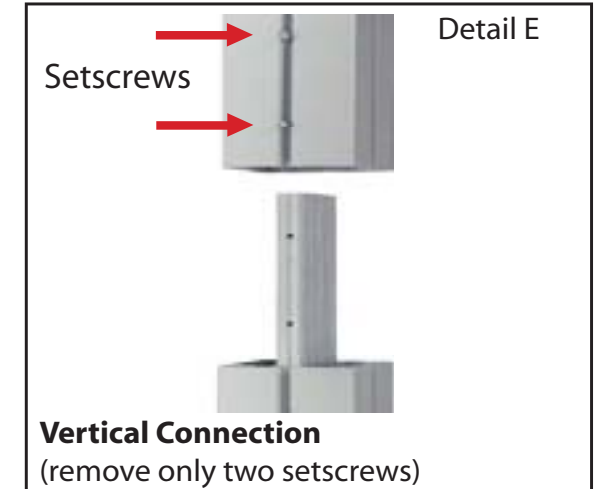
Remove only (1) setscrew when disassembling. Replace setscrew in extrusion after assembling it. Before packing, replace setscrew in extrusion to avoid losing it.



Detail D

Base Plate Connection

Attach base plate to round or square vertical extrusion using the bolt provided. Be careful not to strip the threads.



Detail E

Vertical Connection (remove only two setscrews)

When vertical extrusions are packed in portable cases rather than crates or tubs, they must be broken down into smaller sections which then require assembly.

Remove only (2) setscrews when disassembling. Replace setscrews in extrusion after assembling it. Before packing, replace setscrews in extrusion to avoid losing them.

**WHEN DISASSEMBLING ALUMINUM EXTRUSION, TIGHTEN ALL SETSCREWS AND LOCKS TO PREVENT LOSS DURING SHIPPING**