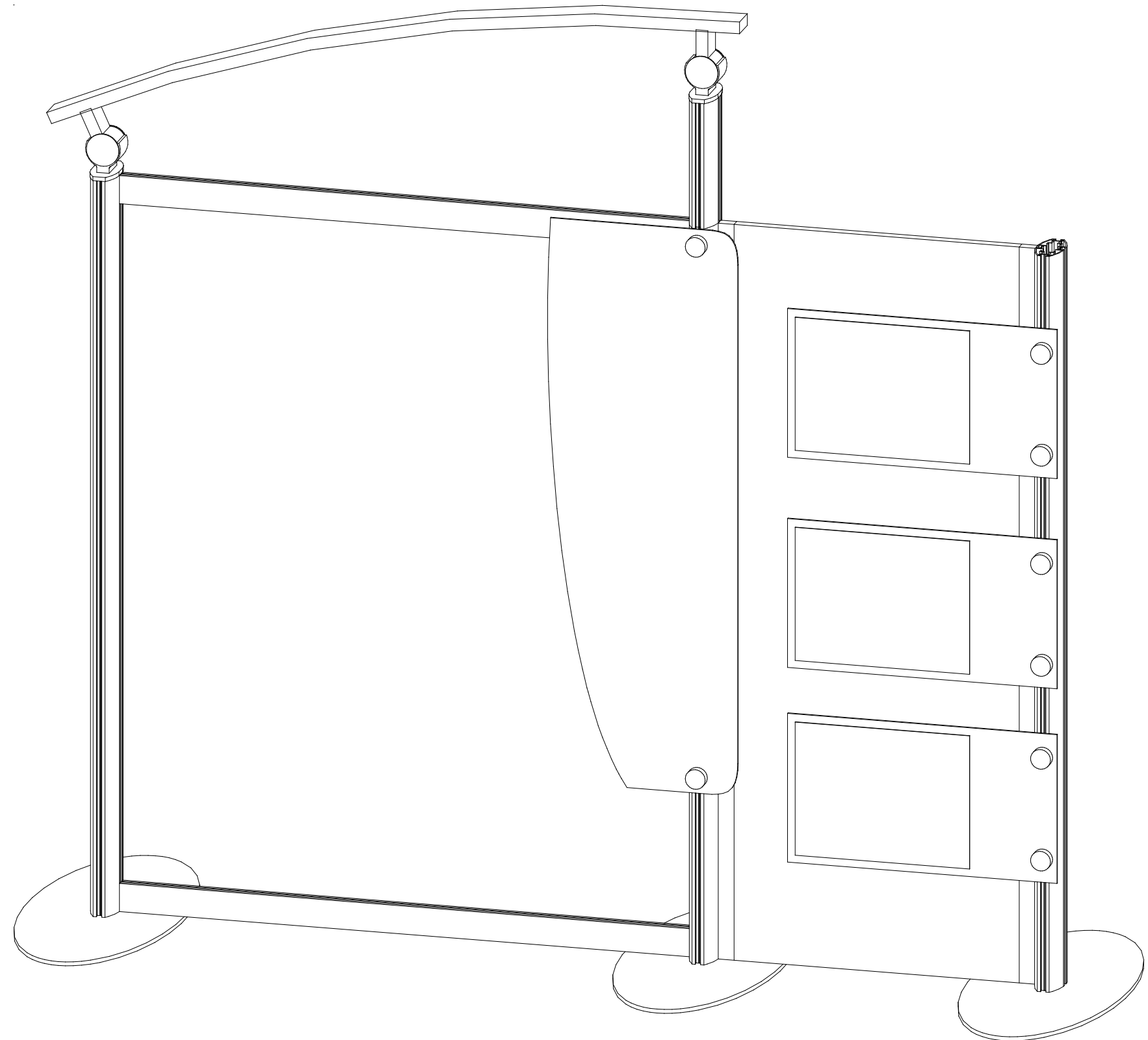


Plan View



## General Setup Instructions

### Using Your Setup Instructions

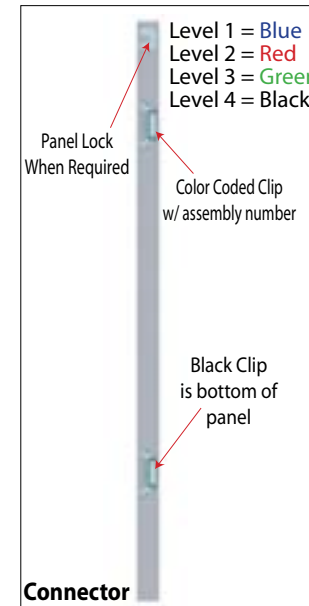
The Setup Instructions are created specifically for your configuration. They are laid out sequentially in levels, including exploded views, and a logical series of detailed steps to assemble the main structure and components. We encourage you to study the instructions **before** attempting to assemble your exhibit.

Each page reminds you to tighten the setscrews after disassembling your exhibit to prevent loss of the locks and setscrews (see below in RED). This is VERY IMPORTANT.

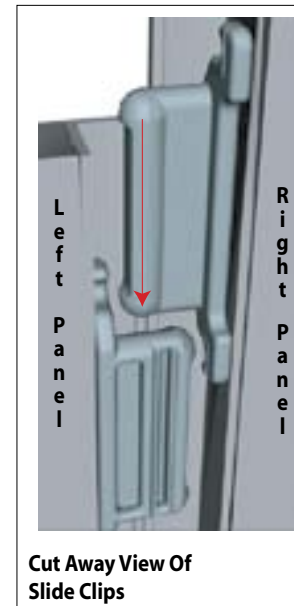
### Cleaning and Packing Your Display

- 1) Use care when cleaning aluminum extrusion or Eco Glass inserts. Use only non-abrasive cleaners.
- 2) When cleaning laminate inserts, countertops, or panels use mild cleansers and a soft material such as cotton.
- 3) Keep all display components away from extreme heat and long exposure to sunlight to avoid warping and fading.
- 4) Retain all packing material. It will make re-packing much easier and will reduce the likelihood of shipping damage. Each Layer will be labeled with the packing order.

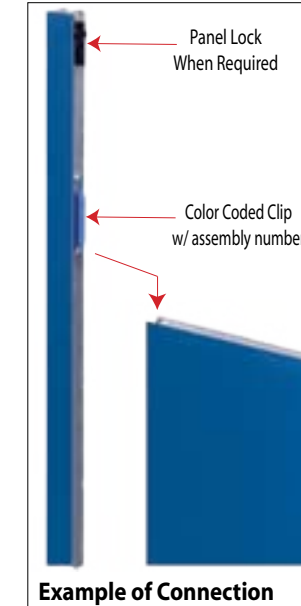
## General Setup Instructions for Panel System



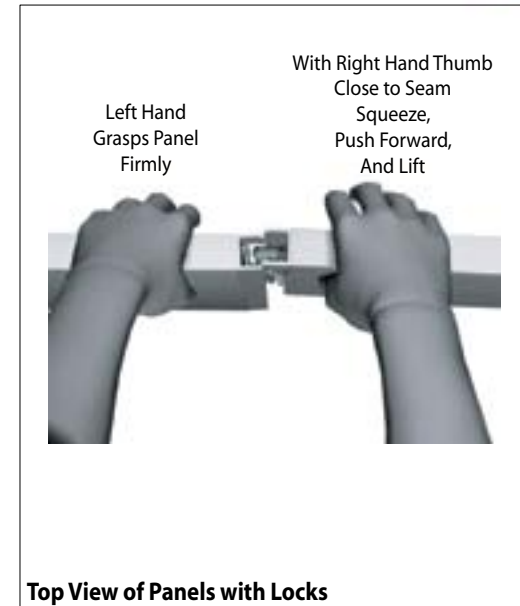
Each component has 2 clips, the lower clip is ALWAYS black. The top clip is color coded to distinguish the level. The color coded clip also contains the numbered label.



Components connect together by aligning them and sliding downward connecting clips together.



Configurations are assembled from left to right, usually starting with #1 and following the numbered sequence.



The first level of components contains panel locks that are located at the top of the panel for extra stability and a seamless connection. When disassembling panels, twist top connection slightly and lift right panel upward.

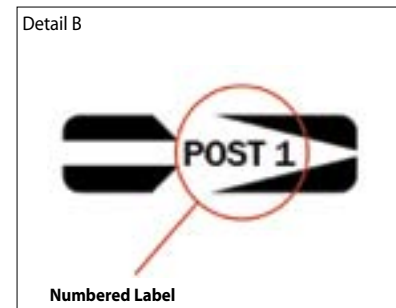
## General Setup Instructions for Extrusion System



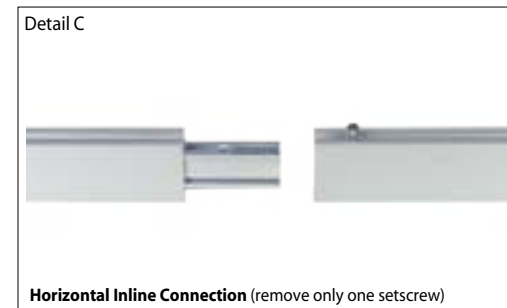
Most exhibits can be assembled with the supplied Hex Key Tool. Occasionally, other tools may be needed.



Most horizontal extrusion connections have a patented expandable lock. This lock inserts into the groove of an opposing extrusion. Tightening the lock with the Hex Key Tool expands the lock and creates a strong positive connection.



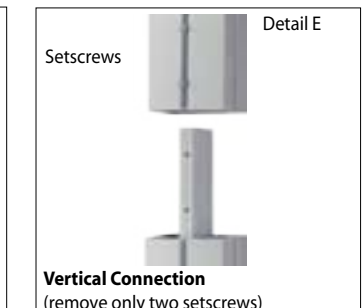
Each extrusion contains a numbered label which corresponds with setup instructions. The label is located within a groove of the extrusion (when possible). With extrusion components the labels contain Black numbers unless otherwise specified.



Remove only (1) setscrew when disassembling. Replace setscrew in extrusion after assembling it. Before packing, replace setscrew in extrusion to avoid losing it.



Attach base plate to vertical extrusion using the lock provided. Place base plate on ground and set vertical post/lock in base plate slot. Tighten lock with Multitool.



When vertical extrusions are packed in portable cases rather than crates or tubs, they must be broken down into smaller sections which then require assembly.

Remove only (2) setscrews when disassembling. Replace setscrews in extrusion after assembling it. Before packing, replace setscrews in extrusion to avoid losing them.

**WHEN DISASSEMBLING ALUMINUM EXTRUSION, TIGHTEN ALL SETSCREWS AND LOCKS TO PREVENT LOSS DURING SHIPPING**

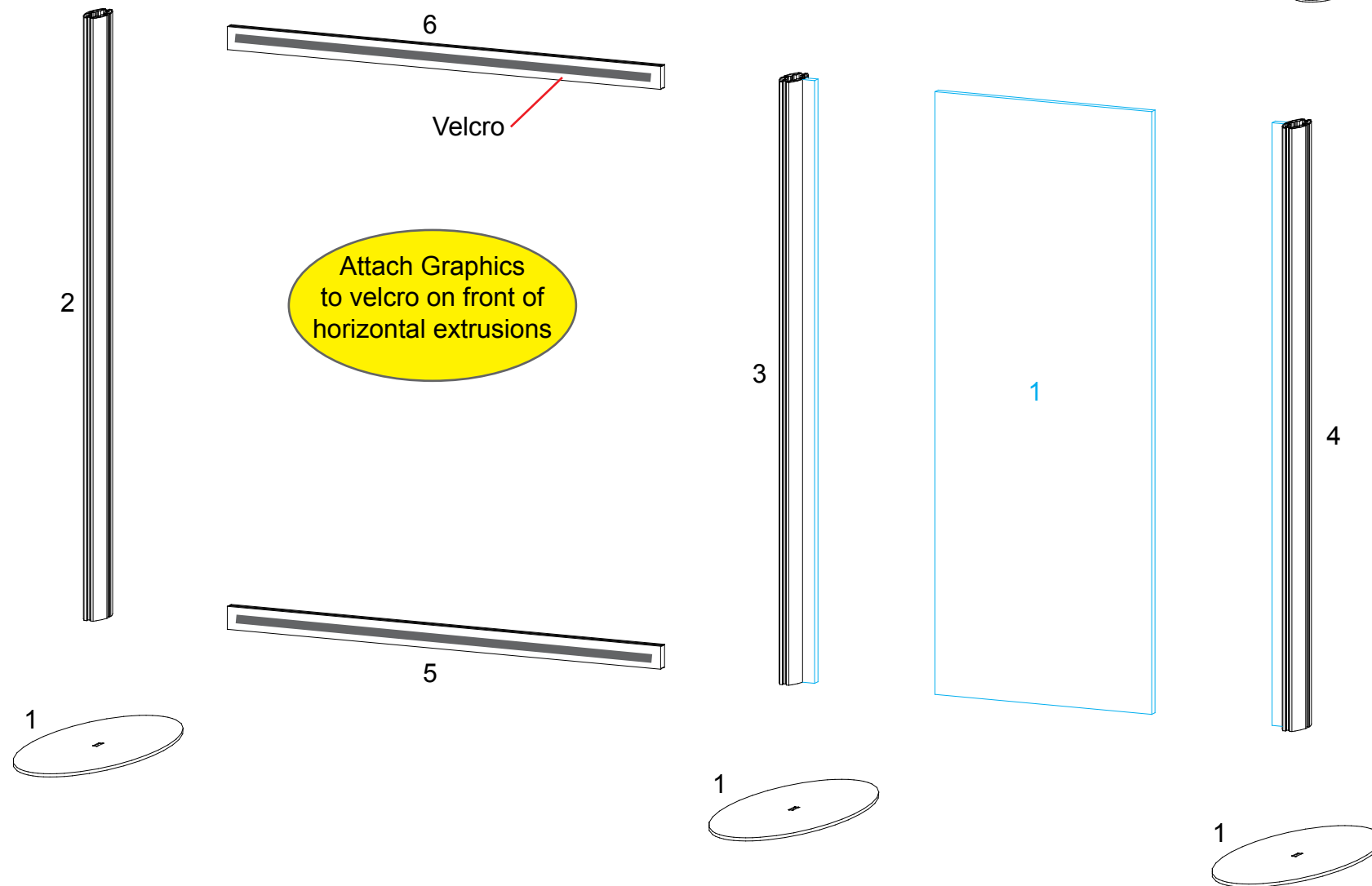
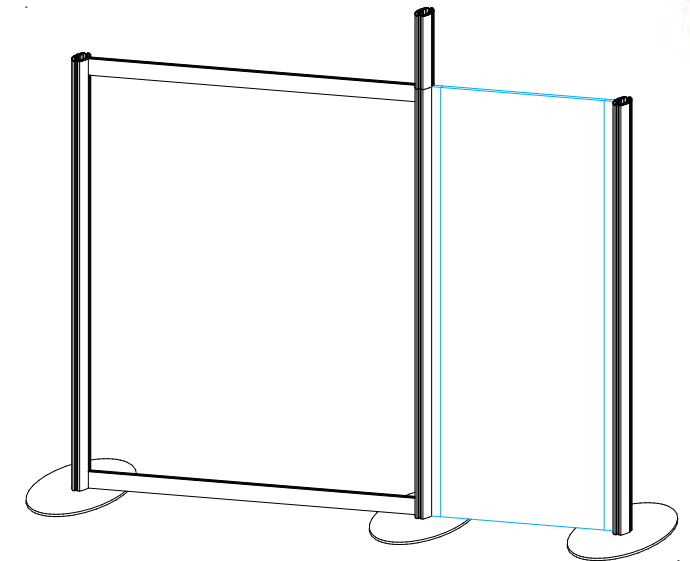
Part	Qty.	Description
1	3	Base Plate
2	1	47" h Vertical Extrusion
3	1	47" h Vertical Extrusion w/ Panel Connector
3a	1	8" h Vertical Extrusion
4	1	47" h Vertical Extrusion w/ Panel Connector
5	1	36" w Horizontal Extrusion
6	1	36" w Horizontal Extrusion

Panel	Description
1	18" x 47" Panel

Panel Numbered in Blue

Steps:

- 1) Lock vertical extrusions [2,3,4] to base plates [1] as shown.
- 2) Connect vertical extrusion [3a] to the top of vertical [3].
- 3) Connect verticals [2,3] with horizontal extrusions [5,6].
- 4) Connect verticals [3,4] with panel [1] as shown. See *General Information* page for *Panel System Setup Instructions*.
- 5) Attach graphics to velcro on front of horizontals [5,6].



Base Plate Attachment



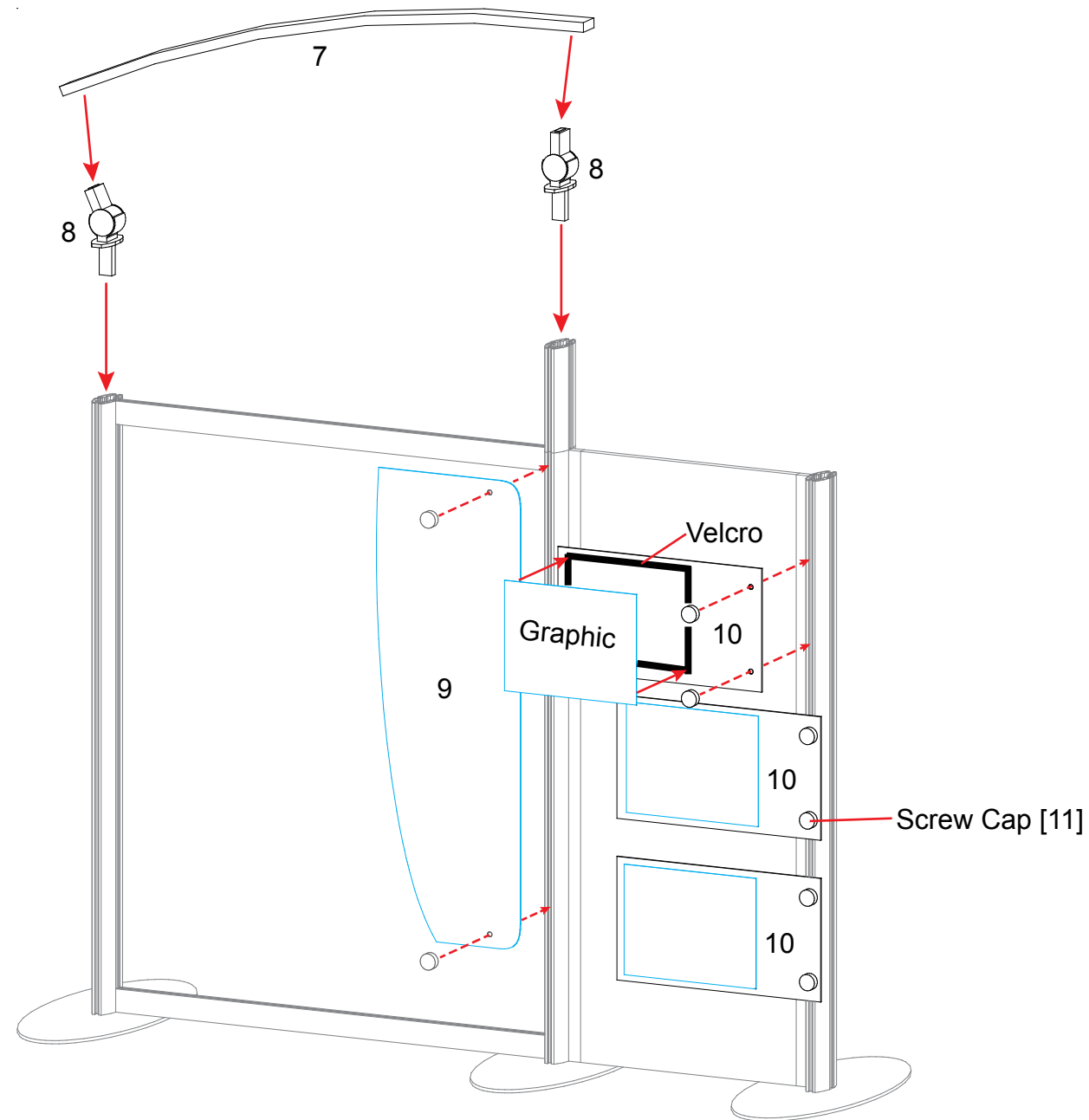
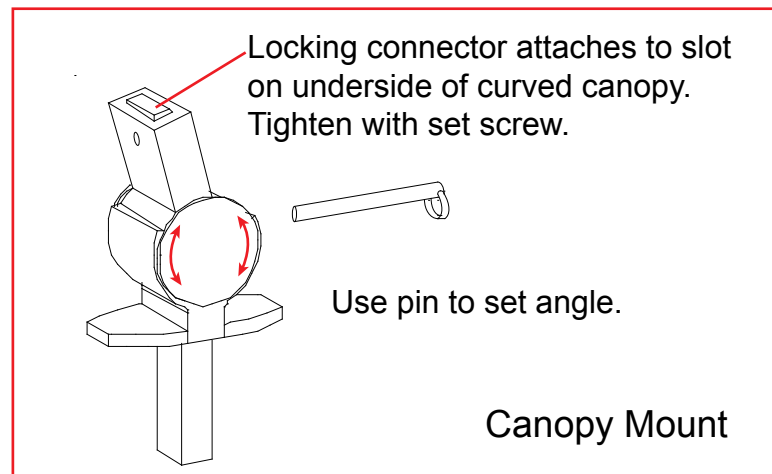
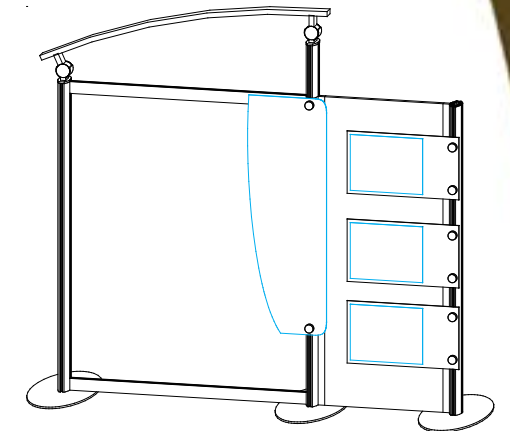
Connect Vertical Extrusion to Base Plate by placing lock into slot and tighten with tool.

Part	Qty.	Description
7	1	45.125" Curved Canopy
8	2	Canopy Mounts
9	1	12" x 36" EcoGlass Accent
10	3	17" x 9.5" EcoGlass Accent
11	8	Screw Cap

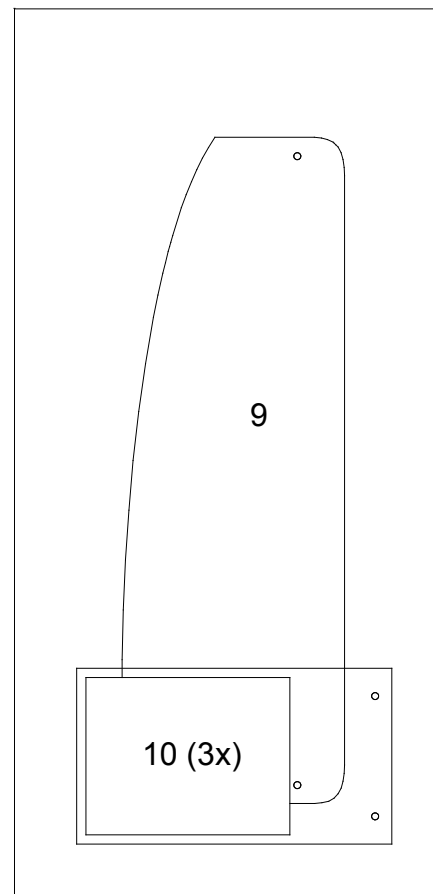
Steps:

- 1) Lock curved canopy [7] to canopy mounts [8] and insert mounts into vertical extrusions as shown.
- 2) Attach EcoGlass Accent [9] to assembled backwall with screw caps [11].
- 3) Apply graphics to velcro on EcoGlass Accents [10] and attach to assembled backwall with screw caps [11].

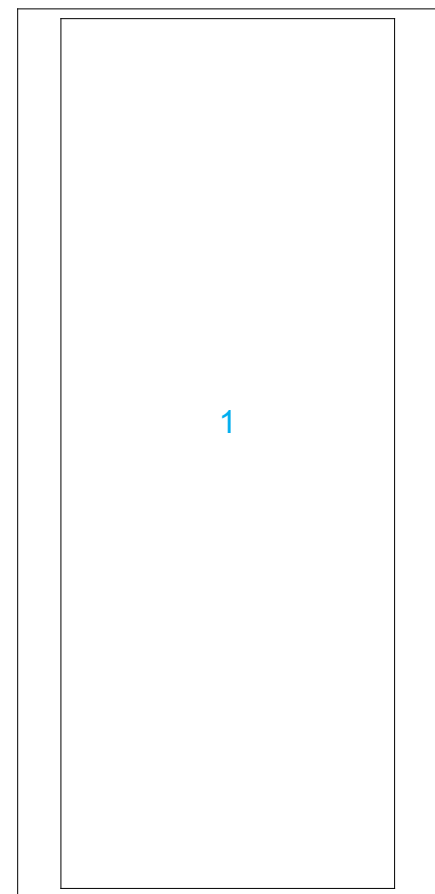
**Note:** Canopy & Mounts ship and pack assembled. Do not disassemble.



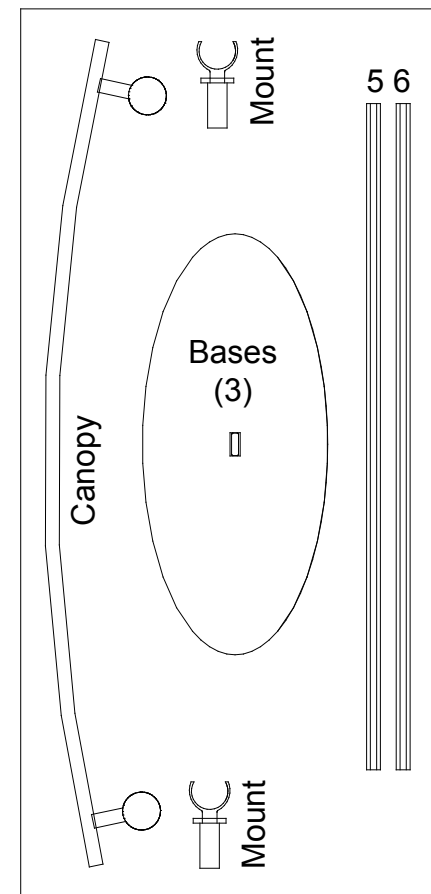
### Top View



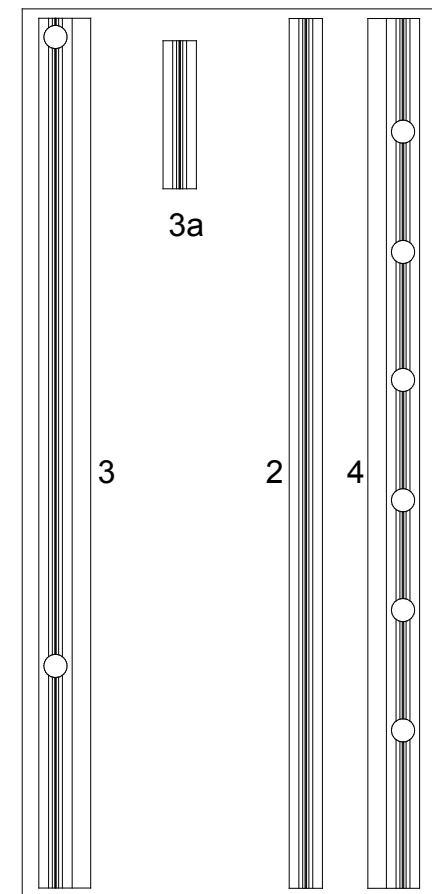
Level 1



Level 2



Level 3



Level 4

Setup Hardware

Graphics

Lights