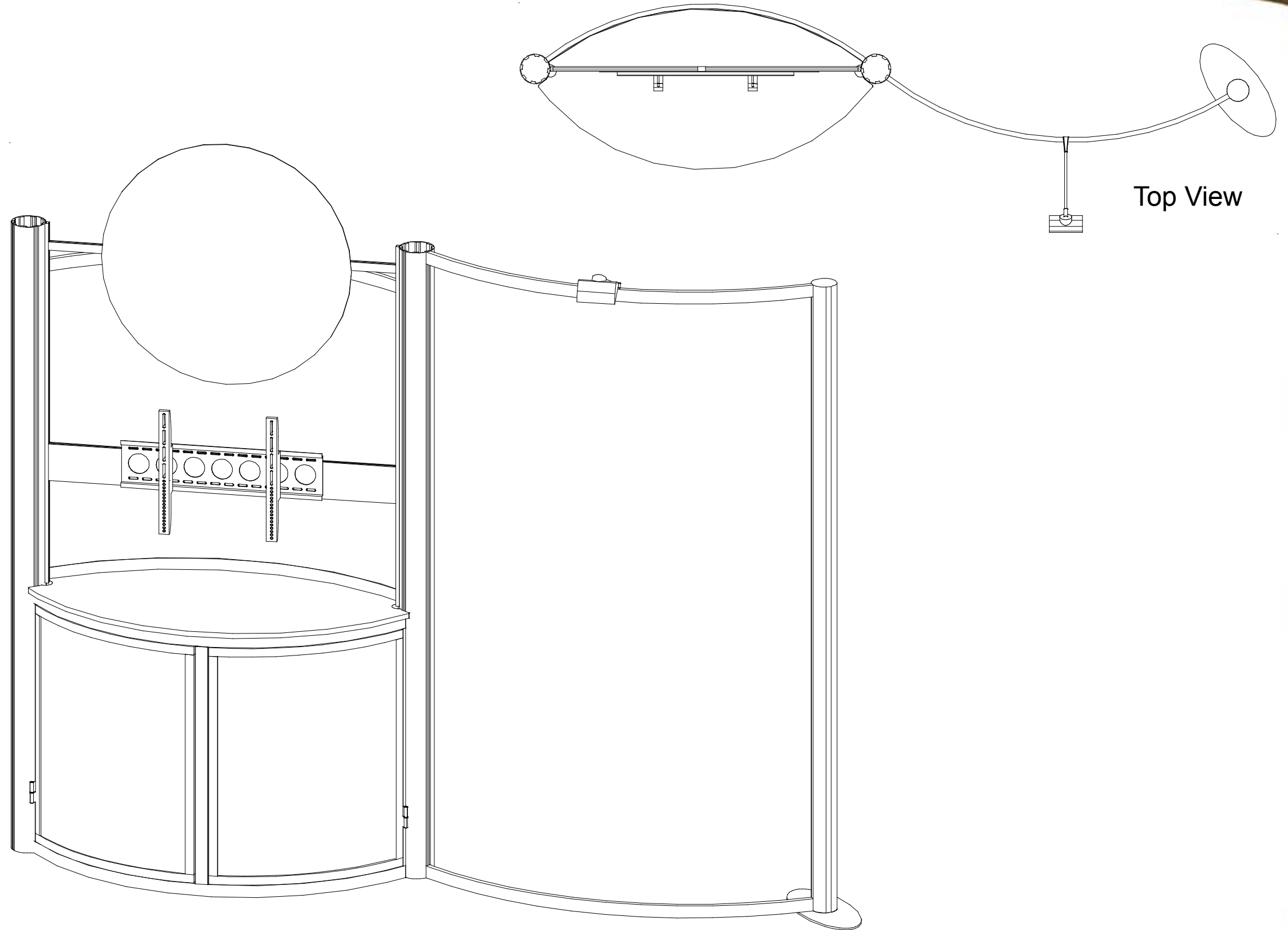


10 x 10 Setup



## General Setup Instructions

### Using Your Setup Instructions

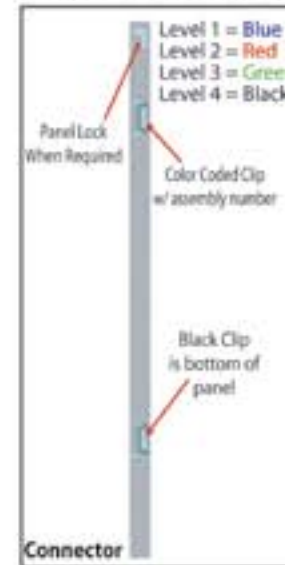
The Setup Instructions are created specifically for your configuration. They are laid out sequentially in levels, including exploded views, and a logical series of detailed steps to assemble the main structure and components. We encourage you to study the instructions **before** attempting to assemble your exhibit.

Each page reminds you to tighten the setscrews after disassembling your exhibit to prevent loss of the locks and setscrews (see below in RED). This is **VERY IMPORTANT**.

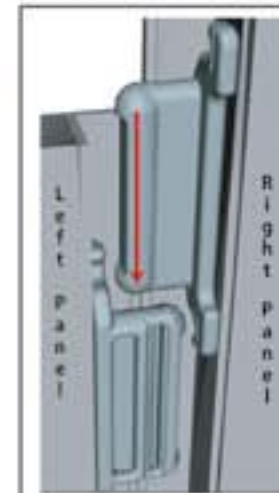
### Cleaning and Packing Your Display

- 1) Use care when cleaning aluminum extrusion or Eco Glass inserts. Use only non-abrasive cleaners.
- 2) When cleaning laminate inserts, countertops, or panels use mild cleansers and a soft material such as cotton.
- 3) Keep all display components away from extreme heat and long exposure to sunlight to avoid warping and fading.
- 4) Retain all packing material. It will make re-packing much easier and will reduce the likelihood of shipping damage. Each Layer will be labeled with the packing order.

## General Setup Instructions for Panel System



Each component has 2 clips, the lower clip is ALWAYS black. The top clip is color coded to distinguish the level. The color coded clip also contains the numbered label.



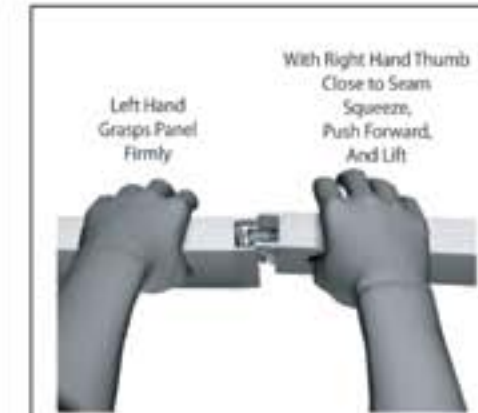
Cut Away View Of Slide Clips

Components connect together by aligning them and sliding downward connecting clips together.



Example of Connection

Configurations are assembled from left to right, usually starting with #1 and following the numbered sequence.



Top View of Panels with Locks

The first level of components contains panel locks that are located at the top of the panel for extra stability and a seamless connection. When disassembling panels, twist top connection slightly and lift right panel upward.

## General Setup Instructions for Extrusion System



The Tool

Most exhibits can be assembled with the supplied Hex Key Tool. Occasionally, other tools may be needed.

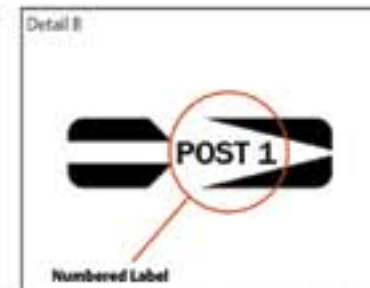


Typical Connection

Most horizontal extrusion connections have a patented expandable lock. This lock inserts into the groove of an opposing extrusion. Tightening the lock with the Hex Key Tool expands the lock and creates a strong positive connection.



Typical Connection (cont'd)



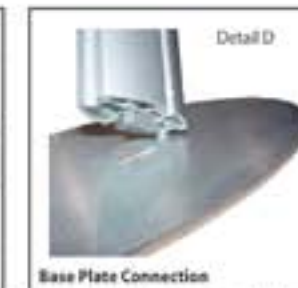
Numbered Label

Each extrusion contains a numbered label which corresponds with setup instructions. The label is located within a groove of the extrusion (when possible). With extrusion components the labels contain Black numbers unless otherwise specified.



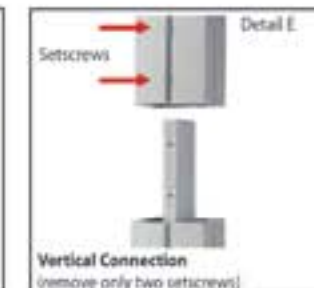
Horizontal In-line Connection (remove only one setscrew)

Remove only (1) setscrew when disassembling. Replace setscrew in extrusion after assembling it. Before packing, replace setscrew in extrusion to avoid losing it.



Base Plate Connection

Attach base plate to vertical extrusion using the lock provided. Place base plate on ground and set vertical post/lock in base plate slot. Tighten lock with Mult-tool.



Vertical Connection (remove only two setscrews)

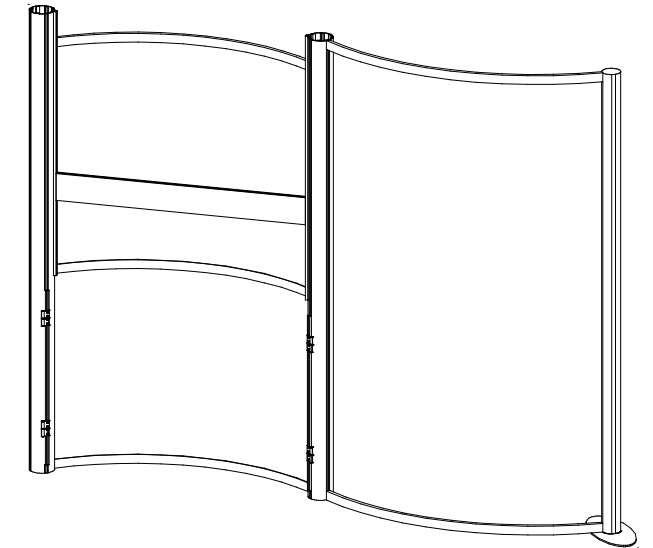
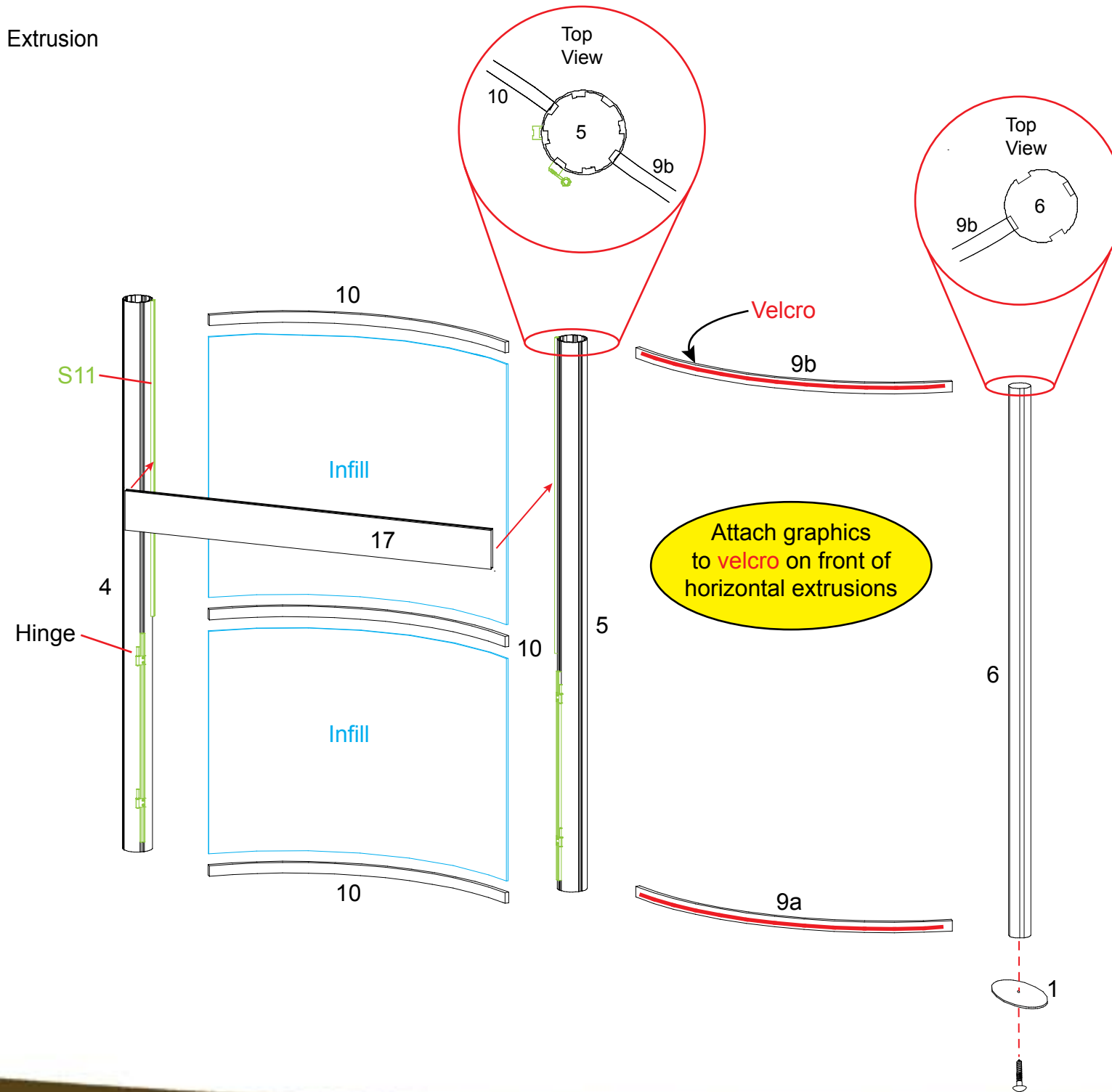
When vertical extrusions are packed in portable cases rather than crates or tubs, they must be broken down into smaller sections which then require assembly.

Remove only (2) setscrews when disassembling. Replace setscrews in extrusion after assembling it. Before packing, replace setscrews in extrusion to avoid losing them.

Parts	Qty.	Description
1	1	Base Plate
4	1	94" RR125 Vertical Extrusion
5	1	94" RR125 Vertical Extrusion
6	1	94" RR91 Vertical Extrusion
9a/9b	1/1	60" Curved Horizontal
10	3	56.5" Curved Horizontal
17	1	50.0625" Z140 Horizontal Extrusion

Steps:

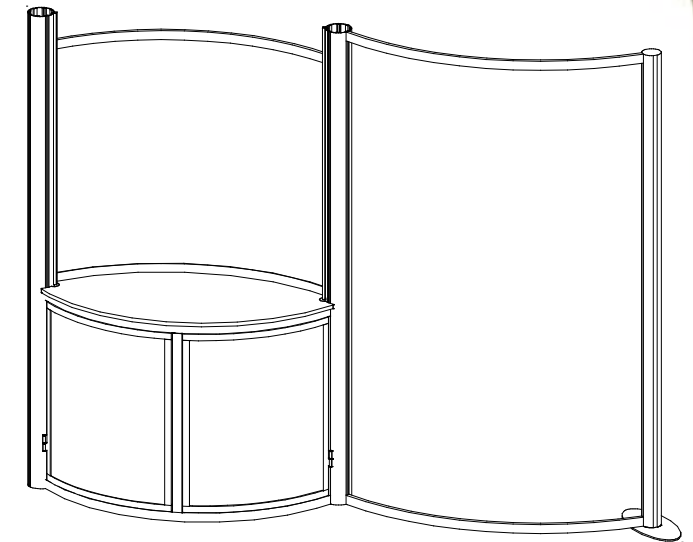
- 1) Attach base plate [1] to vertical extrusion [6] with bolt.
- 2) Connect verticals [4,5] with lower horizontal [10].
- 3) Lock horizontal [17] in between S11 extrusions attached to verticals [4,5].
- 4) Insert **infills** and lock in place with middle and upper horizontals [10] as shown.
- 5) Connect vertical [6] with horizontals [9a,9b] with **velcro** facing forward.
- 6) Attach graphics to **velcro** on front of horizontals.



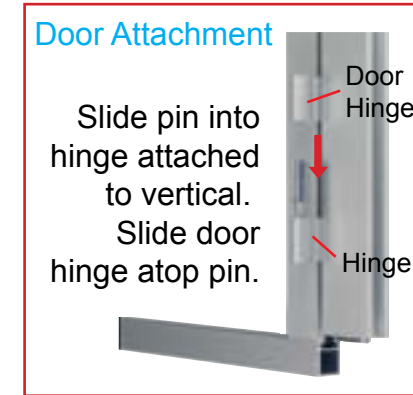
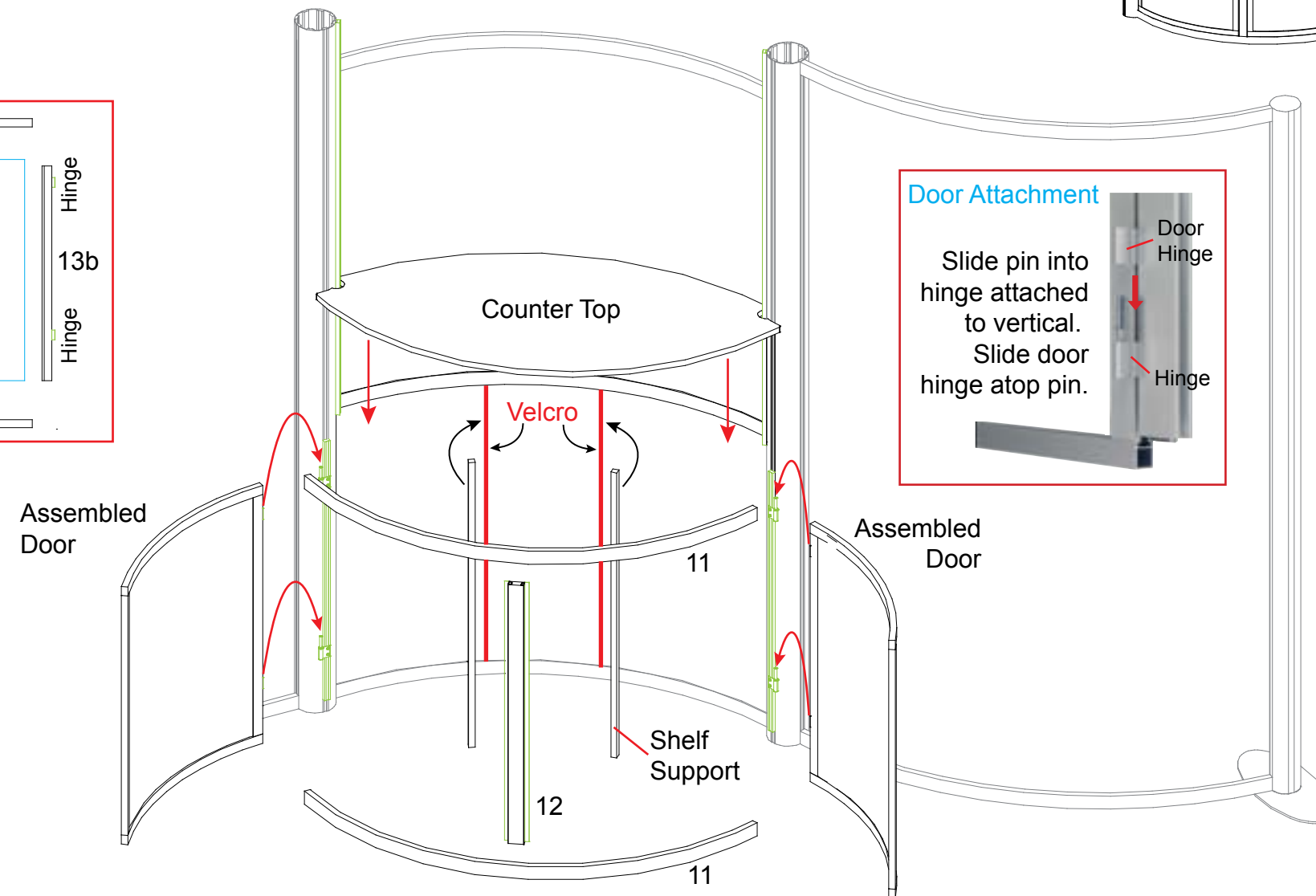
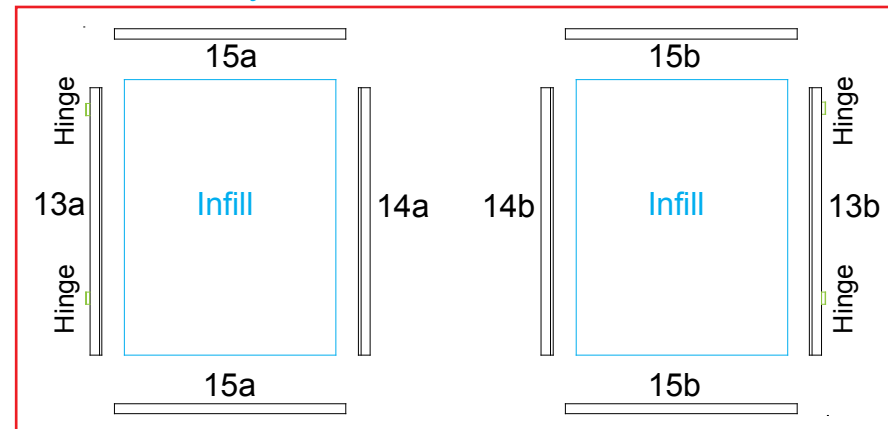
Steps:

- 1) Attach shelf supports to **velcro** on backwall **infill** as shown.
- 2) Attach curved horizontals [11] to backwall verticals and lock vertical [12] between horizontals [11].
- 3) Hang assembled doors from **hinges** and place counter top on assembled counter.

Parts	Qty.	Description
11	2	56.5" Curved Horizontal
12	1	35.5" Vertical Extrusion w/ <b>Door Stoppers</b>
13a/13b	1/1	33" Vertical Extrusion w/ <b>Hinges</b>
14a/14b	1/1	33" Vertical Extrusion w/ Door Lock
15a/15b	2/2	29.375" Curved Horizontal Extrusion

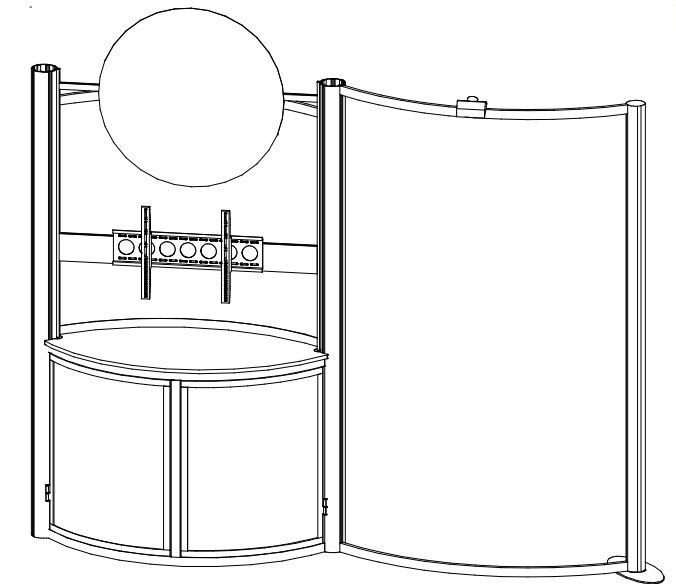
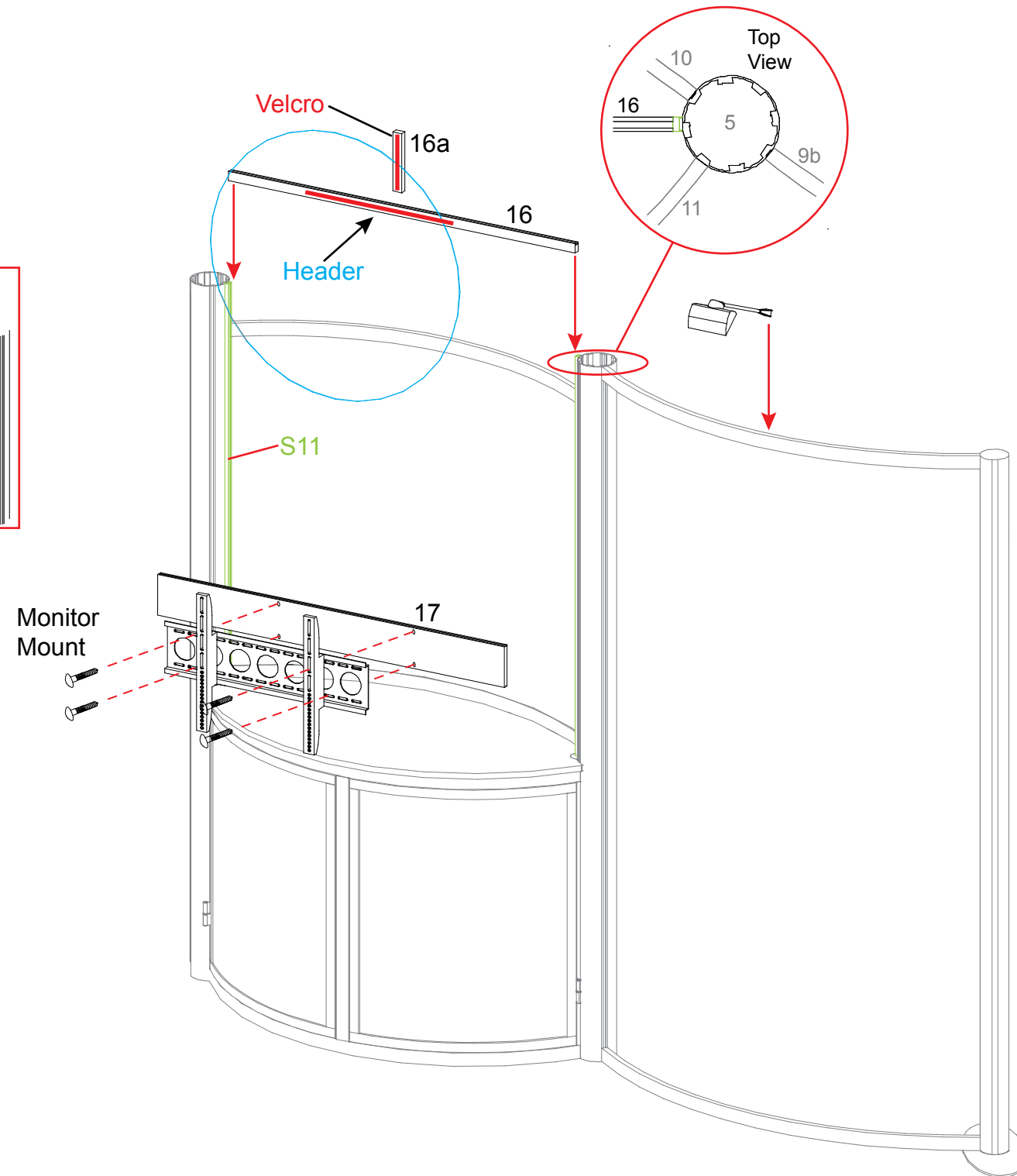
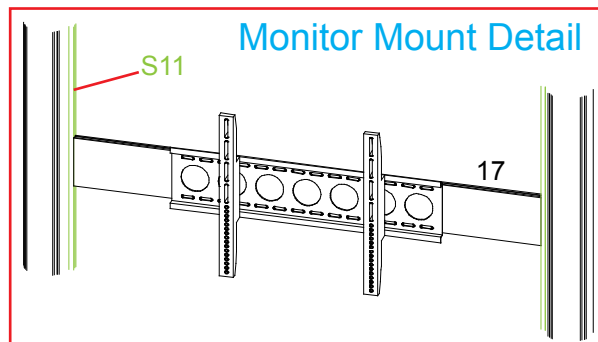


Door Assembly



- Steps:
- 1) Lock horizontal [16] between S11 extrusions on backwall verticals.
  - 2) Lock vertical [16a] to horizontal [6] and attach graphic header to velcro.
  - 3) Attach light to backwall as indicated.
  - 4) Attach monitor mount to horizontal [17] with screws.

Parts	Qty.	Description
16	1	50.0625" Horizontal Extrusion
16a	1	8" Vertical Extrusion



LED Luminator Light Attachment Detail



- Attach Clip to Light Before mounting to Top Beam
- There will be a small slit in the Top of the Graphic to Slide the Clip through to the channel



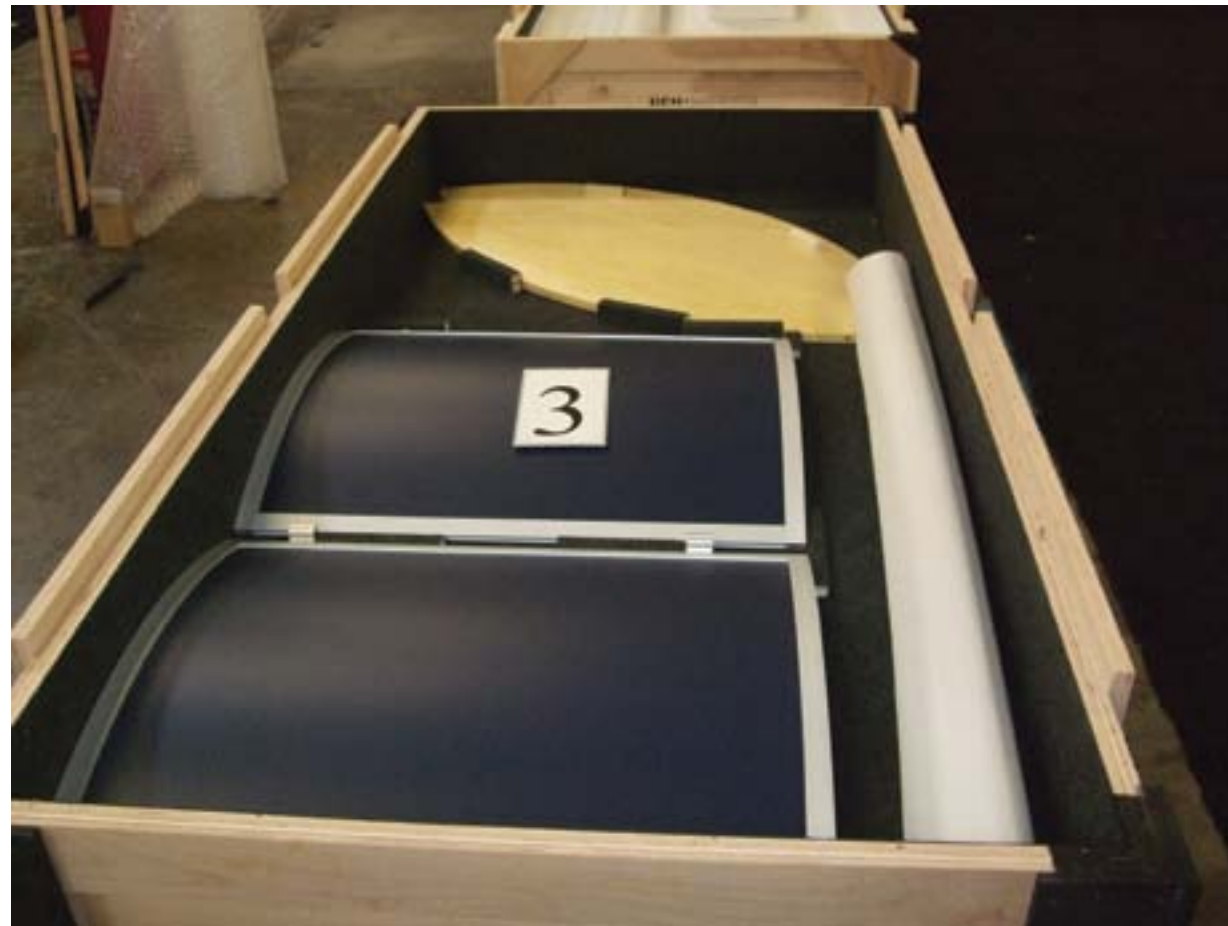
Verticals [4,6,5]  
Vertical Counter Extrusion [12]  
Curved Horizontals [10,10,10,9a,9b]  
Horizontal Counter Extrusions [11,11]  
Monitor Mount Extrusion [17]  
Horizontal Header Extrusion [16]  
Vertical Header Extrusion [16a]

Level 1



Infills  
Round Graphic Header

Level 2



Counter Top  
Assembled Counter Doors  
Rolled Graphics

Level 3



Monitor Mount  
Setup Hardware (Box)

Level 4