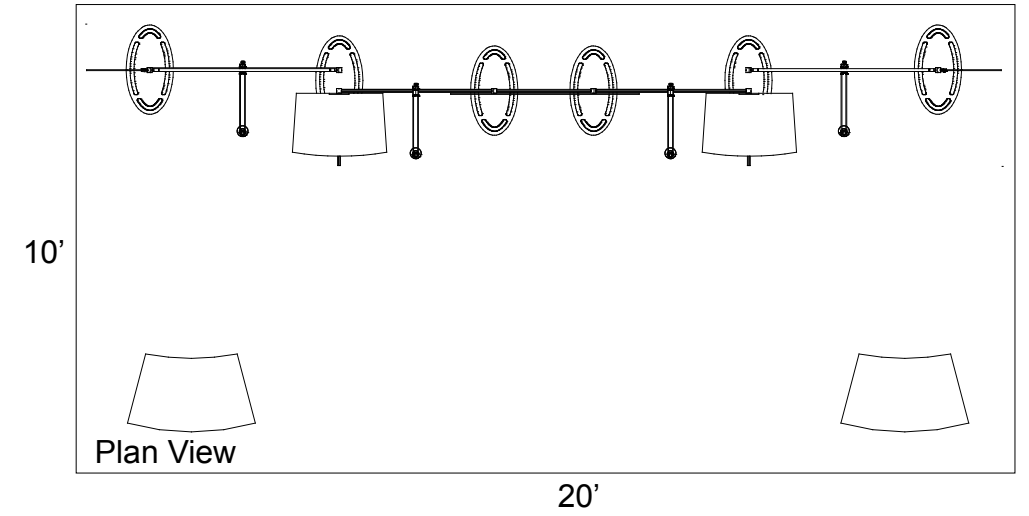
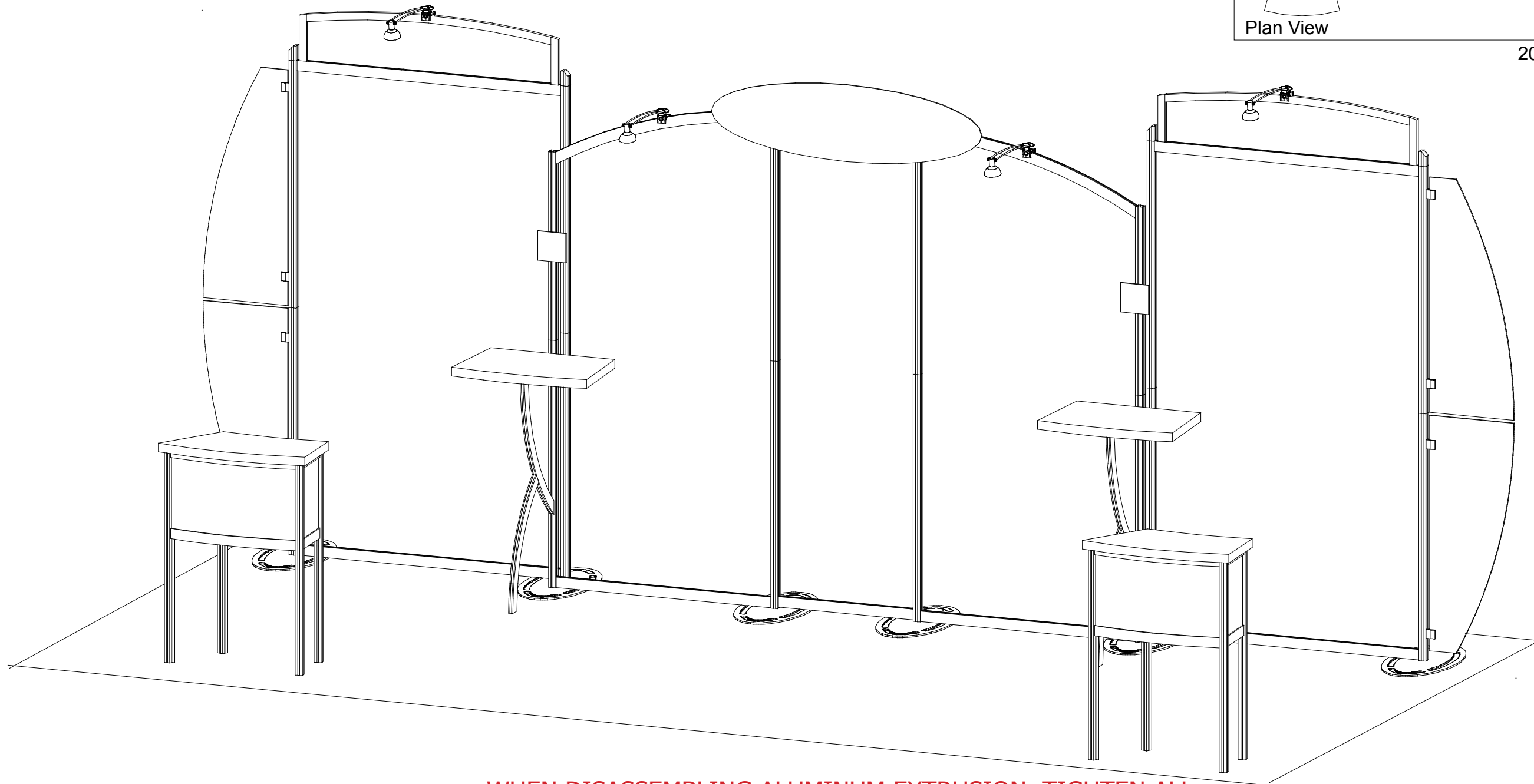


# SACAGAWEA DESIGNS



WHEN DISASSEMBLING ALUMINUM EXTRUSION, TIGHTEN ALL SETSCREWS AND LOCKS TO PREVENT LOSS DURING SHIPPING

# SACAGAWEA DESIGNS

## Using Your Set-up Instructions:

The Visionary Designs Set-up Instructions for Sacagawea displays are created specifically for your configuration. They are laid out sequentially, including an exploded view of the entire display and a logical series of detailed steps for assembly. We encourage you to study the instructions **before** attempting to assemble your exhibit.

### THIS IS VERY IMPORTANT!

Each page reminds you to tighten the setscrews after disassembling your exhibit to prevent loss of the locks and setscrews (see below in red).

## Cleaning & Packing Your Display:

- 1) Use care when cleaning aluminum extrusions or acrylic inserts. Use only non-abrasive cleaners.
- 2) When cleaning laminate inserts or counter tops, use mild cleansers and a soft material such as cotton.
- 3) Keep all display components away from extreme heat and long exposure to sunlight to avoid warping and fading.
- 4) Retain all packing materials. It will make re-packing much easier and will reduce the likelihood of shipping damage.

Hex Key Tool



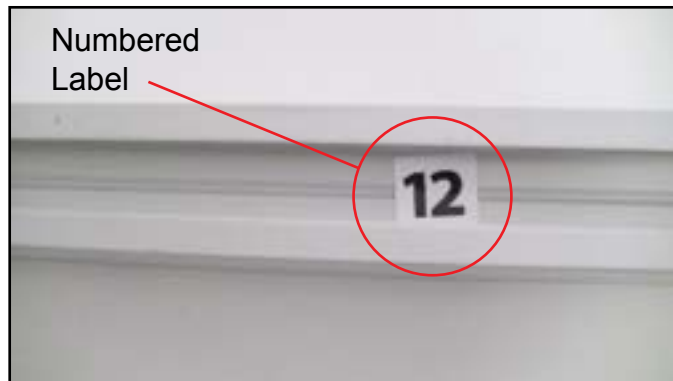
Most visionary design exhibits can be assembled with the supplied Hex Key Tool. Occasionally, a flat head screwdriver may be required.

Typical Connection



**Detail A:** Most horizontal extrusion connections have a patented expandable lock. This lock inserts into the groove of an opposing extrusion. Tightening the lock with the Hex Key Tool expands the lock and creates a strong positive connection.

Typical Connection



**Detail B:** Each extrusion contains a numbered label that corresponds to set-up instructions. The label is located within a groove of the extrusion (when possible). Visionary Design labels contain Black numbers unless otherwise specified.

Horizontal Connection



**Detail C:** A rectangular connection bar with plastic T Knobs is inserted between two horizontal extrusions joined end-to-end. Turn the knobs clockwise to tighten.

Do Not Overtighten.

Base Plate Connection



**Detail D:** Attach vertical extrusions to base plates with supplied bolts inserted through the hole in the plate. Be careful not to strip the thread.

Vertical Connection



**Detail E:** A square connection bar with plastic T Knobs is inserted between two vertical extrusions joined end-to-end. Turn the knobs clockwise to tighten.

Do Not Overtighten.

Corner Connection



**Detail F:** Plastic Star Knobs are used to tighten locks where horizontal extrusions connect with vertical extrusions. Turn the knobs clockwise to tighten. Turn counter-clockwise to loosen, but do not remove knob.

Do Not Overtighten.

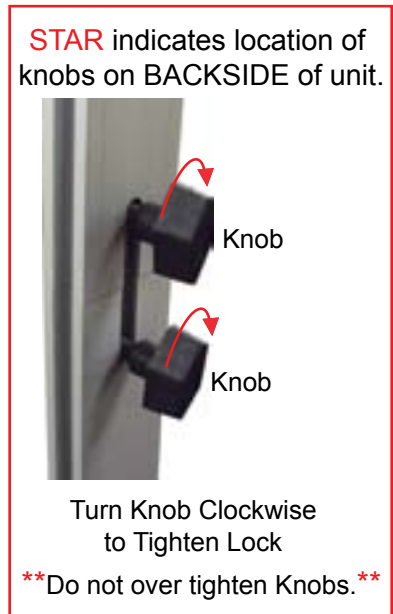
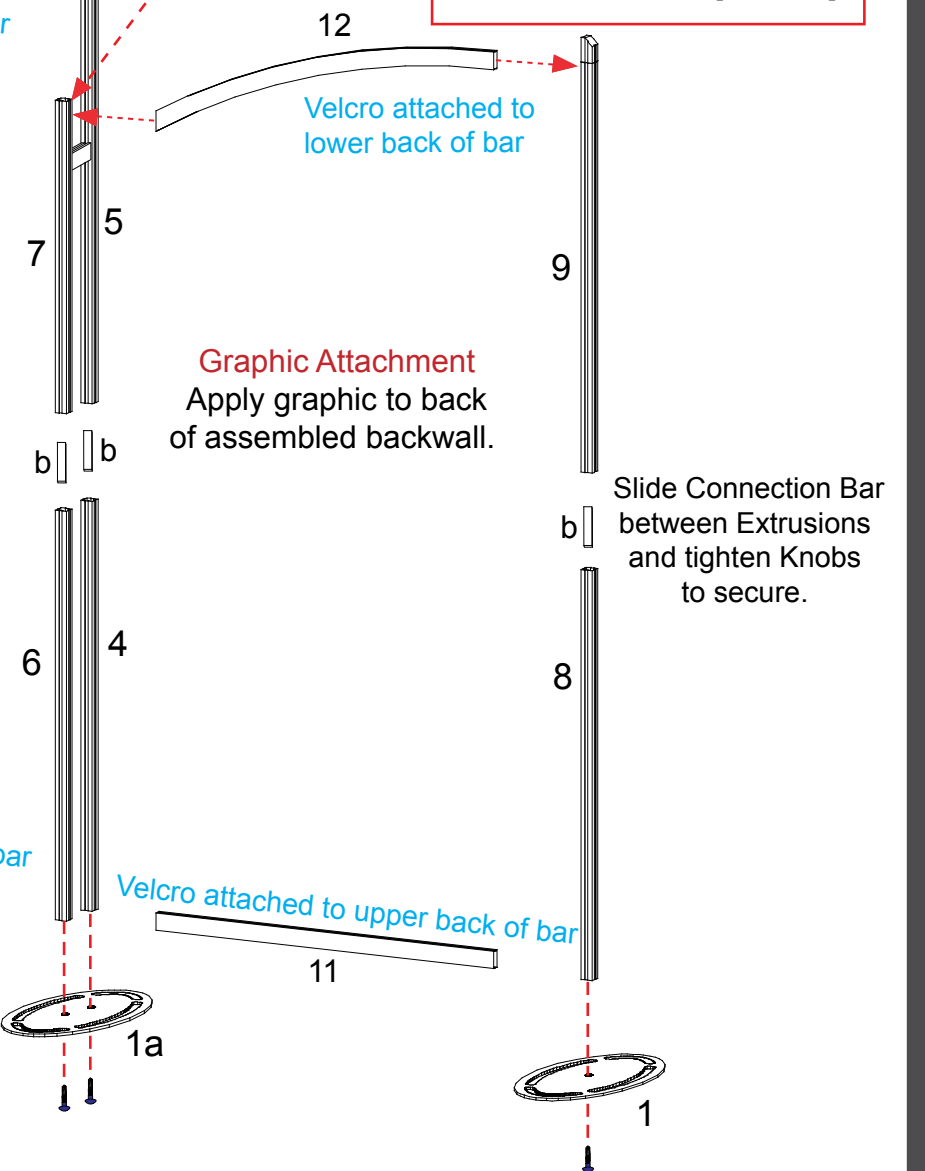
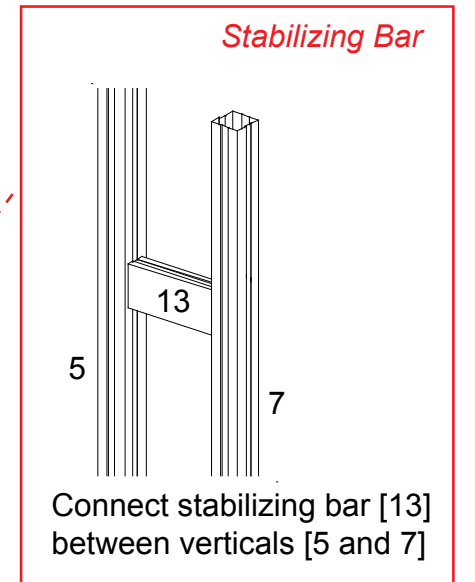
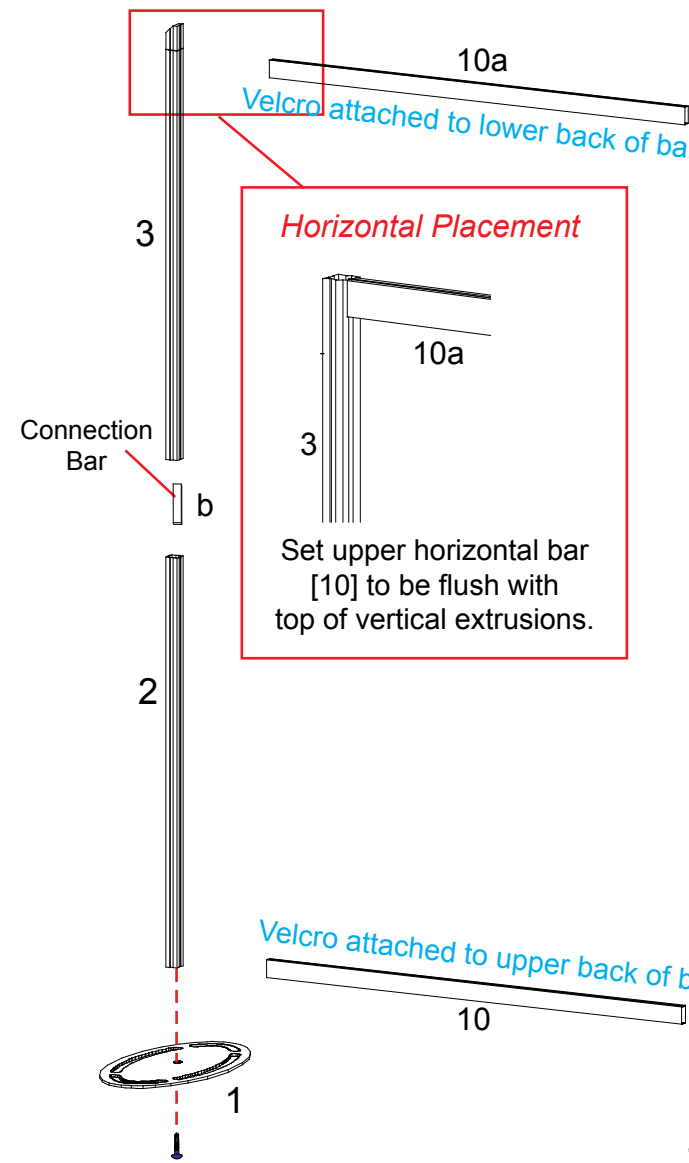
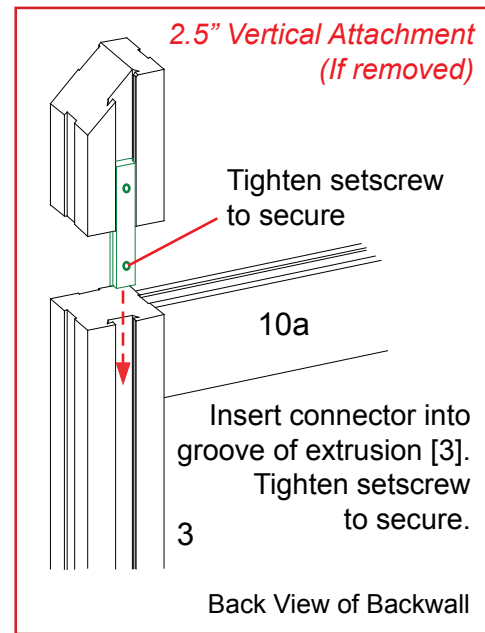
**WHEN DISASSEMBLING ALUMINUM EXTRUSION, TIGHTEN ALL SETSCREWS AND LOCKS TO PREVENT LOSS DURING SHIPPING**

866.652.2100

Item	Qty.	Description
1	2	Base Plate w/ 1 Hole
1a	1	Base Plate w/ 2 Holes
2	1	42" Lower Square Vertical Extrusion
3	1	42" Upper Square Vertical Extrusion
4	1	42" Lower Square Vertical Extrusion
5	1	42" Upper Square Vertical Extrusion
6	1	42" Lower Square Vertical Extrusion
7	1	32" Upper Square Vertical Extrusion
8	1	42" Lower Square Vertical Extrusion
9	1	42" Upper Square Vertical Extrusion
10/10a	1/1	47" Horizontal Extrusion
11	1	38.25" Horizontal Extrusion
12	1	40.9826" Curved Extrusion
13	1	4" Stabilizing Extrusion

Steps:

- 1) Attach vertical extrusions [2,4,6,8] to base plates [1,1a].
- 2) Attach upper vertical extrusions [3,5,7,9] to lower extrusions [2,4,6,8] using connection bar [b].
- 3) Attach horizontal extrusions [10,10a,11,12] between vertical assemblies as shown.
- 4) Connect stabilizing bar [13] between verticals [5,7], refer to detail.
- 5) Attach horizontal extrusions [10,10a,11,12] between vertical assemblies as shown.
- 6) Apply graphic to back of assembled backwall.



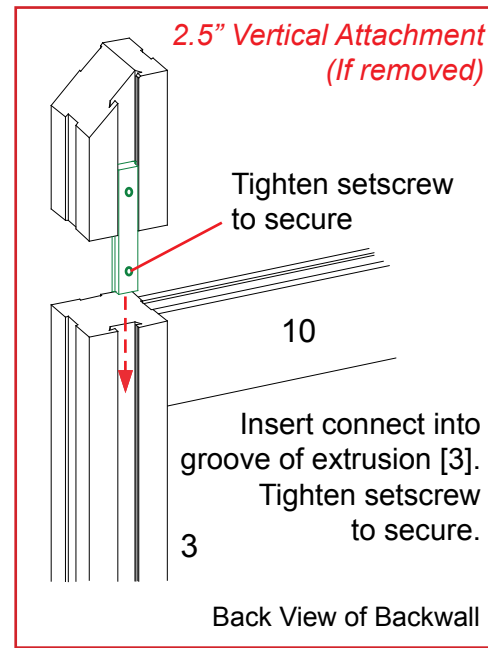
**WHEN DISASSEMBLING ALUMINUM EXTRUSION, TIGHTEN ALL SETSCREWS AND LOCKS TO PREVENT LOSS DURING SHIPPING**

866.652.2100

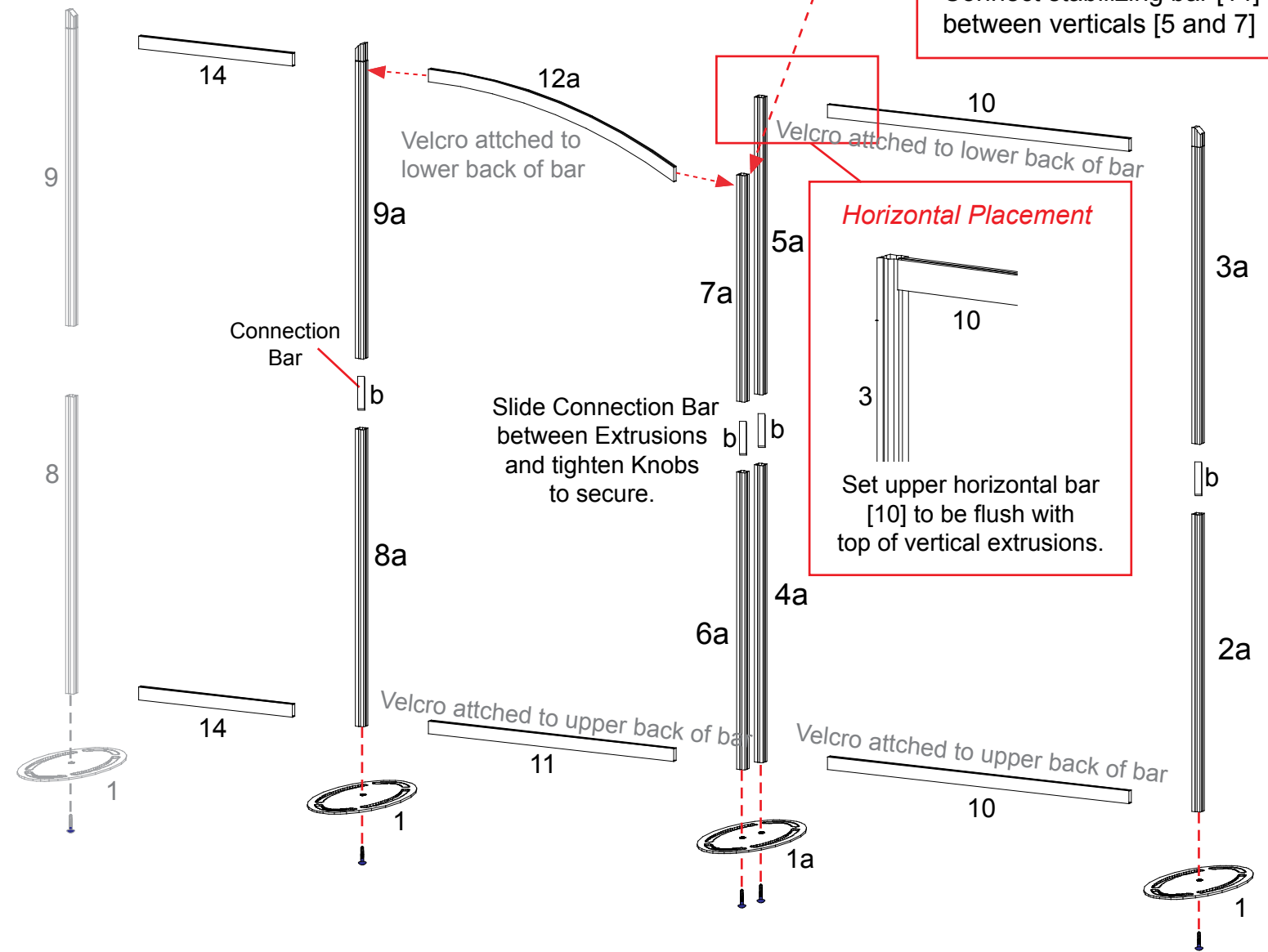
Item	Qty.	Description
1	2	Base Plate w/ 1 Hole
1a	1	Base Plate w/ 2 Holes
2a	1	42" Lower Vertical Extrusion
3a	1	42" Upper Vertical Extrusion
4a	1	42" Lower Vertical Extrusion
5a	1	42" Upper Vertical Extrusion
6a	1	42" Lower Vertical Extrusion
7a	1	32" Upper Vertical Extrusion
8a	1	42" Lower Vertical Extrusion
9a	1	42" Upper Vertical Extrusion
10	2	47" Horizontal Extrusion
11	1	38.25" Horizontal Extrusion
12a	1	40.9826" Curved Extrusion
13	1	4" Stabilizing Extrusion
14	2	24" Horizontal Extrusion

Steps:

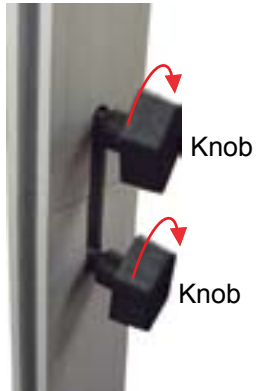
- 1) Attach vertical extrusions [2a, 4a, 6a and 8a] to base plates [1 and 1a].
- 2) Attach upper vertical extrusions to lower extrusions using connection bar [b].
- 3) Attach horizontal extrusions [10, 11 and 12a] between vertical assemblies as shown.
- 4) Attach horizontal extrusions [14] between vertical assemblies [8/9 & 8a/9a] as shown.
- 5) Apply graphic to back of assembled backwall.



**Graphic Attachment**  
Apply graphic to back of assembled backwall.

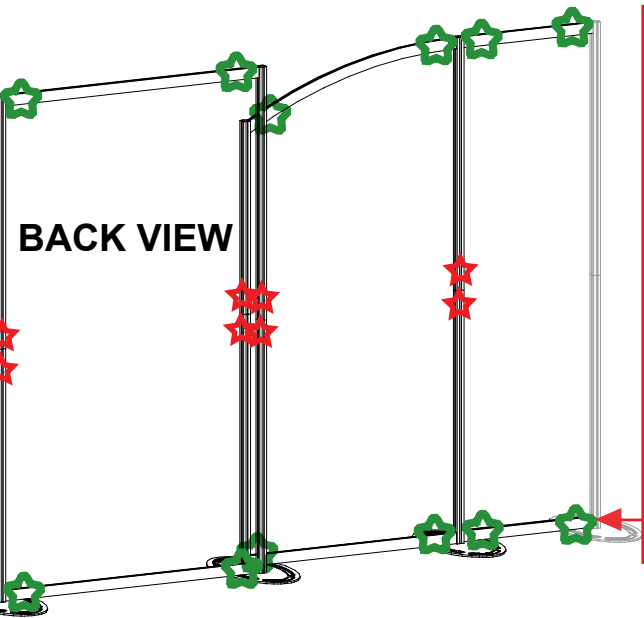


**STAR** indicates location of knobs on BACKSIDE of unit.



Turn Knob Clockwise to Tighten Lock

**\*\*Do not over tighten Knobs.\*\***



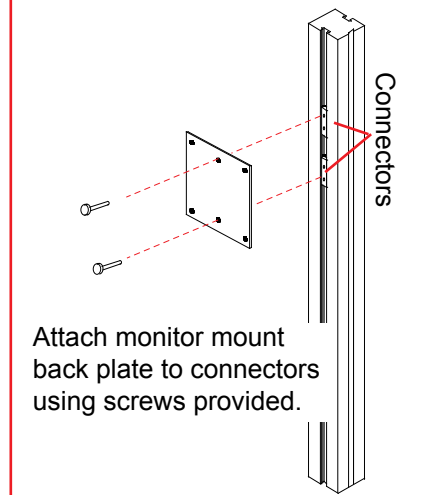
**GREEN STAR** indicates location of connection lock with knob.



**WHEN DISASSEMBLING ALUMINUM EXTRUSION, TIGHTEN ALL SETSCREWS AND LOCKS TO PREVENT LOSS DURING SHIPPING**

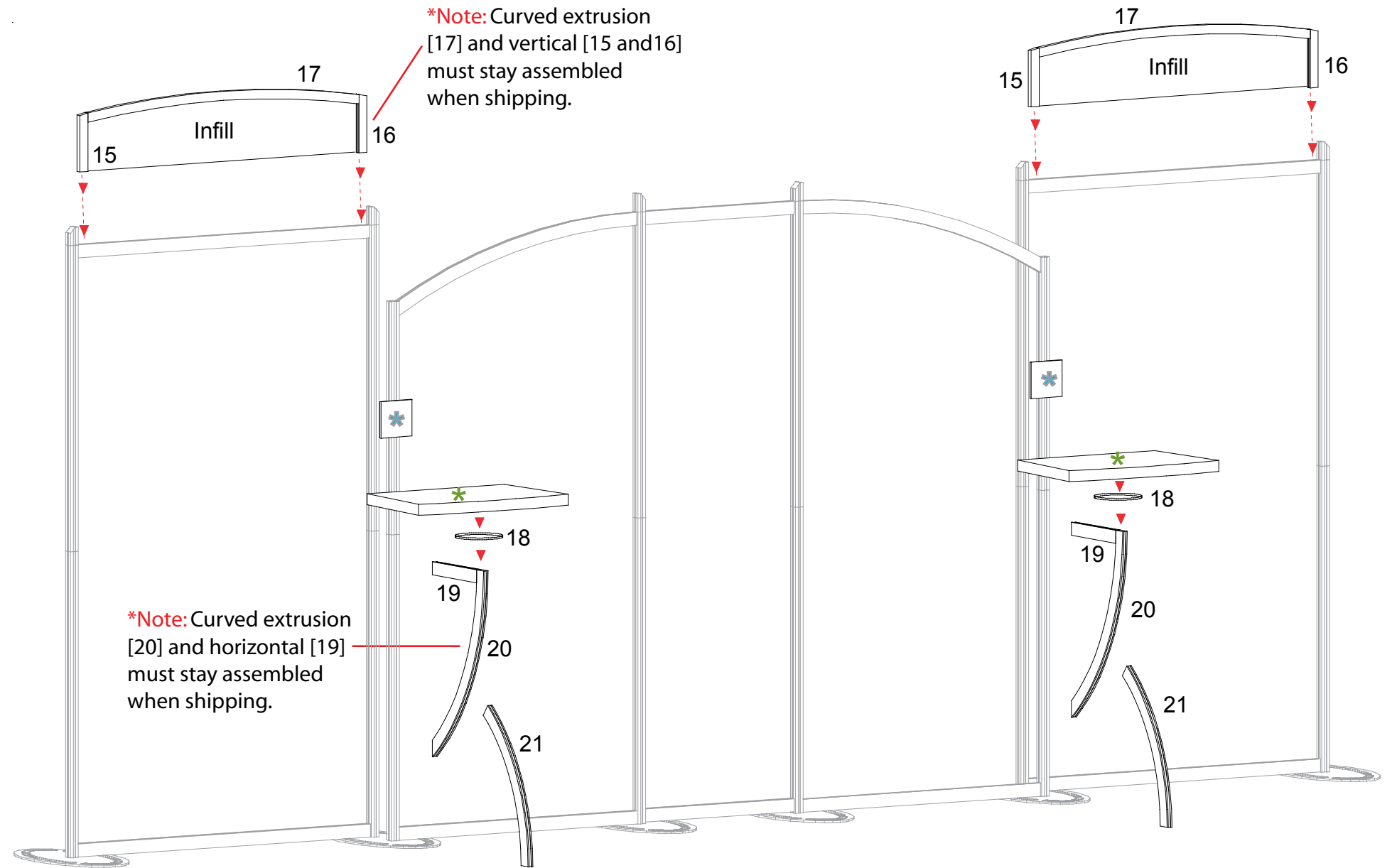
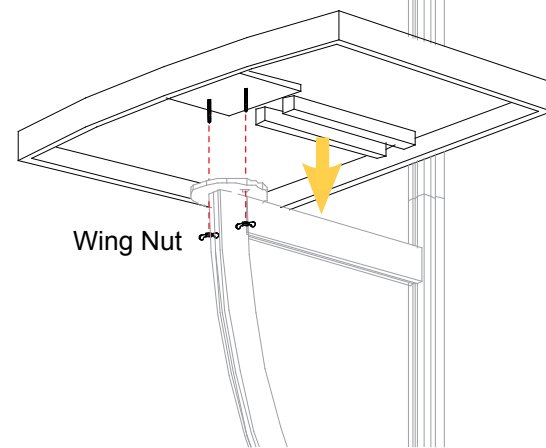
866.652.2100

**\* Monitor Mount Attachment**



**\* Counter Top Attachment**

Insert screws located on underside of counter into holes on flange plate and secure with wing nuts.



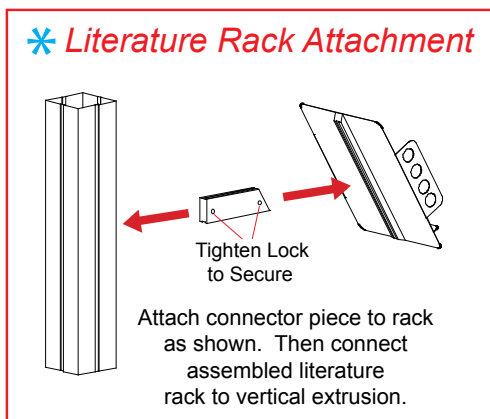
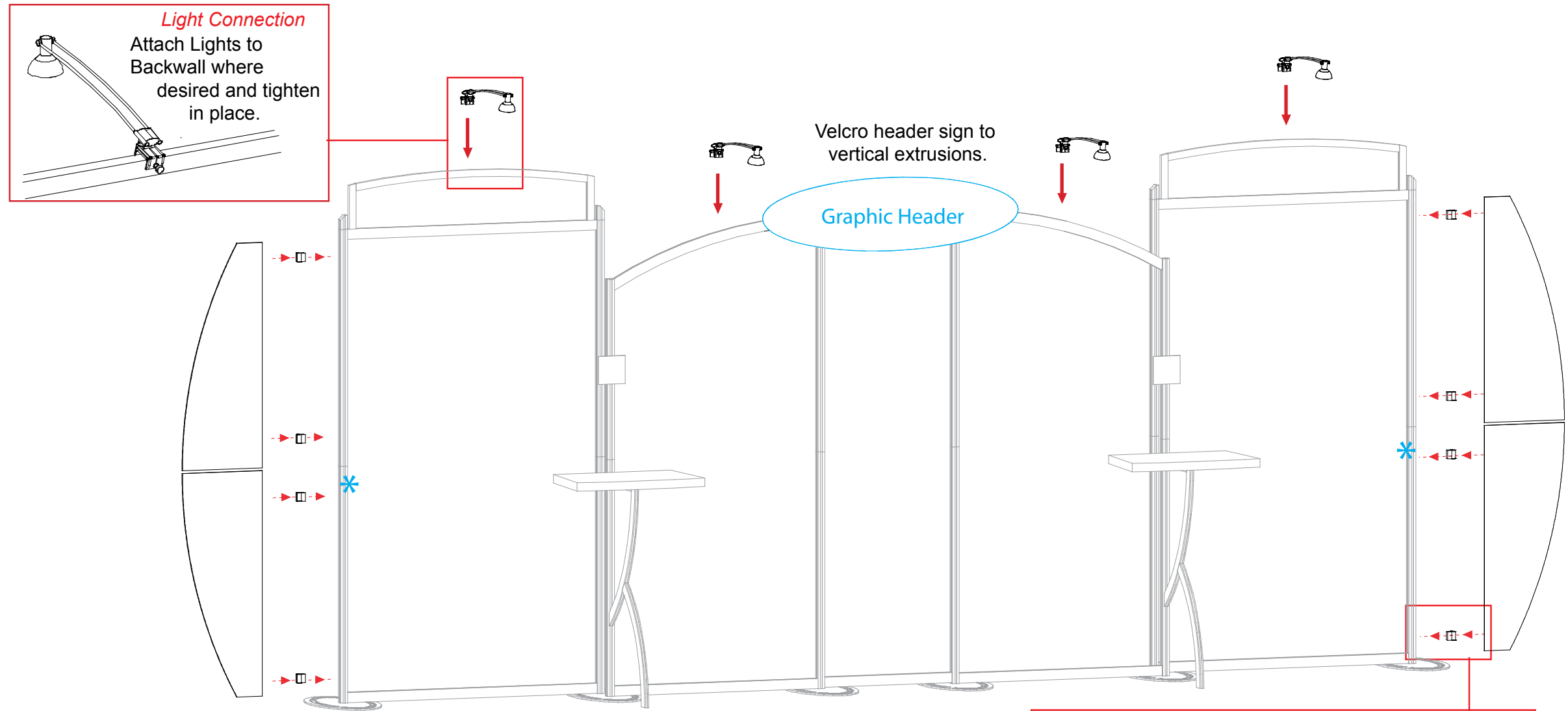
**Steps:**

- 1) Connect curved horizontal extrusion [17] between vertical extrusions [15 and 16].  
Note: Slide infill into groove of assembled header frame.
- 2) Attach both assembled headers to top of assembled backwall as shown.
- 3) Connect horizontal extrusion [19] to curved extrusion [20].
- 4) Attach curved extrusion [21] to curved extrusion [20].
- 5) Attach assembled counter support [19/20/21] to vertical where indicated.
- 6) Attach flange plate [18] to top of curved extrusion [20] by inserting screw through top of [18], into top of vertical [20] and secure.
- 7) Attach counter atop support, see counter top attachment detail this page.

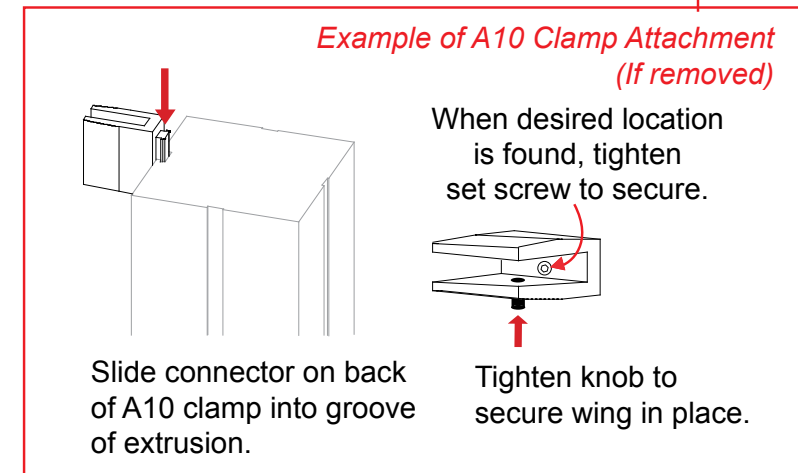
Item	Qty.	Description
15	2	9.2856"h Vertical extrusion
16	2	9.2856"h Vertical extrusion
17	2	43.66"w Curved Horizontal Extrusion
18	2	Flange Plate
19	2	12.184"w Horizontal Extrusion
20	2	30.2" Curved Extrusion
21	2	Curved Leg Support

**WHEN DISASSEMBLING ALUMINUM EXTRUSION, TIGHTEN ALL SETSCREWS AND LOCKS TO PREVENT LOSS DURING SHIPPING**

866.652.2100



- Steps:
- 1) Attach wings to vertical extrusions as shown.
  - 2) Attach oval graphic header centered to backwall as shown.
  - 3) Attach lights to top of assembled backwall as indicated.
  - 4) Attach literature racks to backwall where indicated.

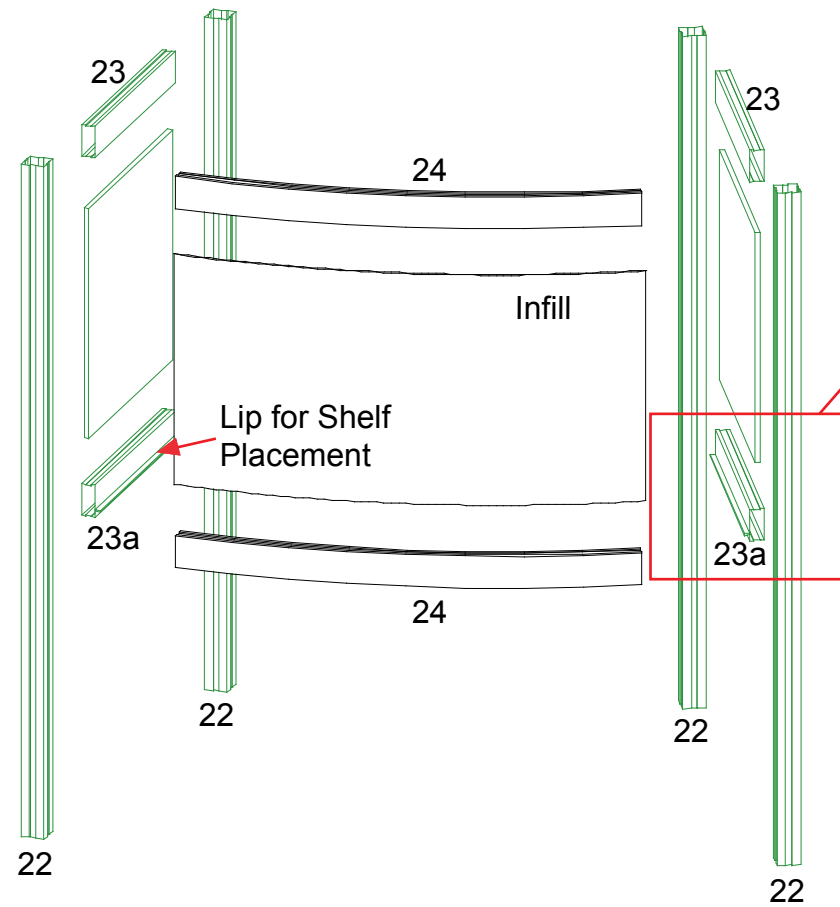
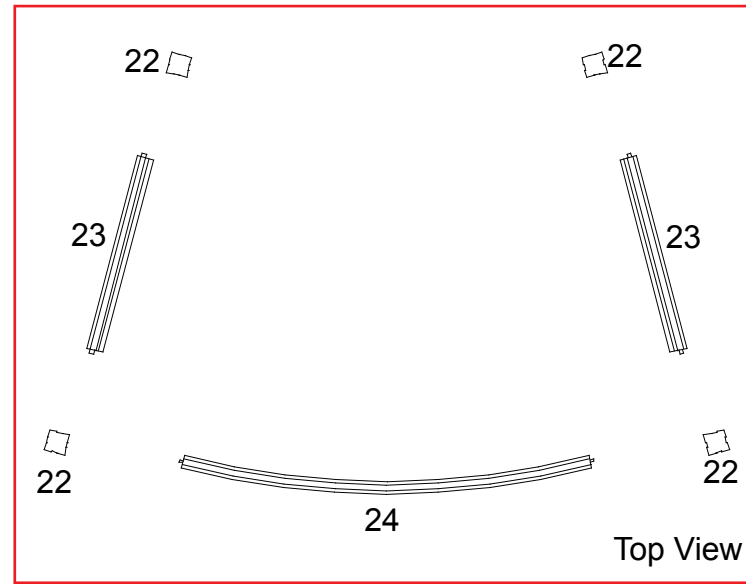


**WHEN DISASSEMBLING ALUMINUM EXTRUSION, TIGHTEN ALL SETSCREWS AND LOCKS TO PREVENT LOSS DURING SHIPPING**

Item	Qty	Description
22	4	38" h Vertical Extrusion
23/23a	2/2	12" w Horizontal Extrusion
24	2	25" w Horizontal Extrusion

Steps

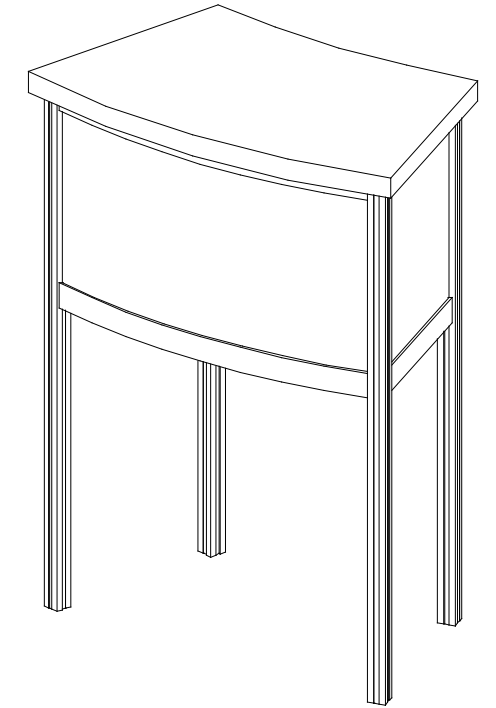
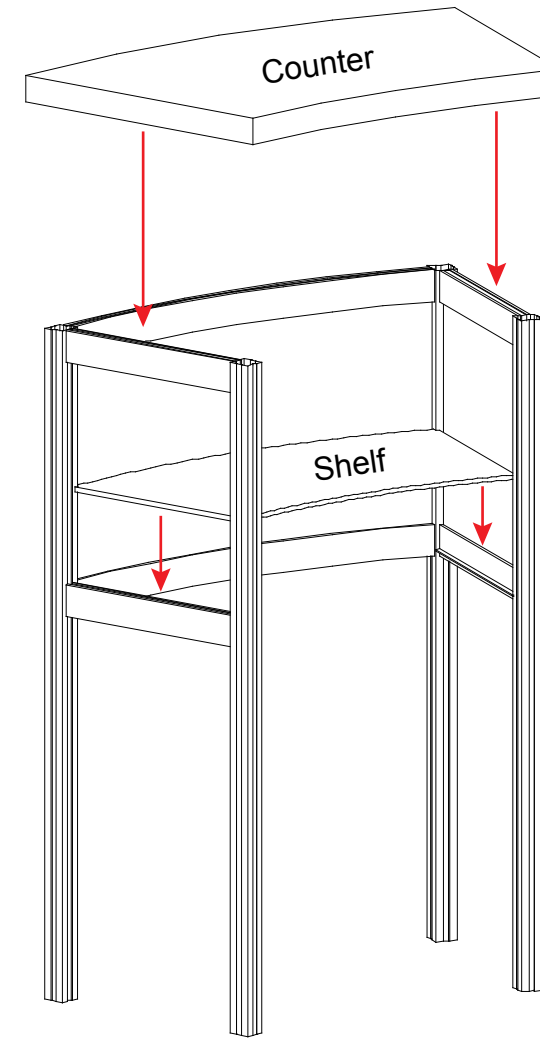
- 1) Attach horizontal extrusions [23 and 23a] between vertical extrusions [22], placing inserts between horizontals.
- 2) Attach curved horizontal extrusions [24] between vertical extrusions [22], placing insert between curved horizontals.
- 3) Place shelf atop lip of extrusions.
- 4) Set counter top atop assembled base.



Extrusion Detail

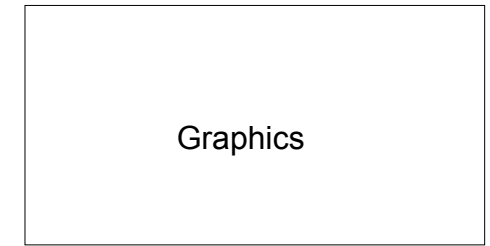
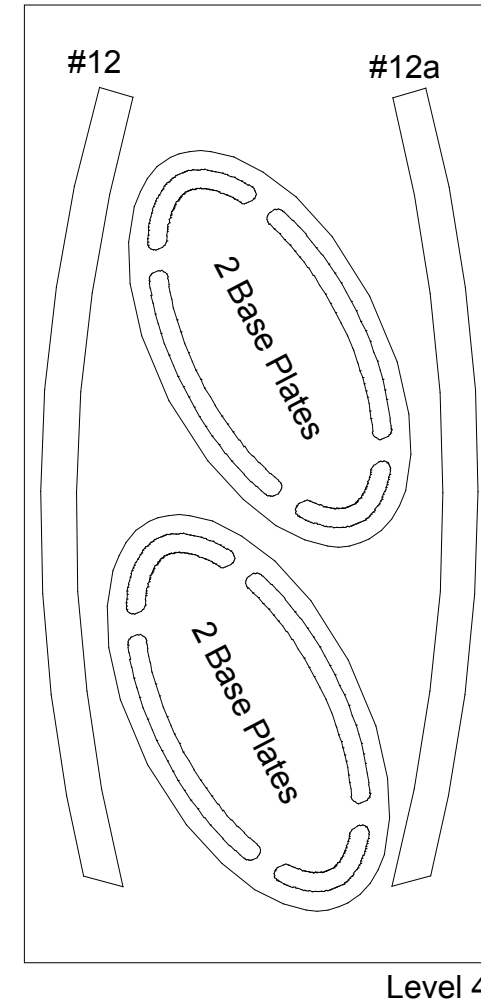
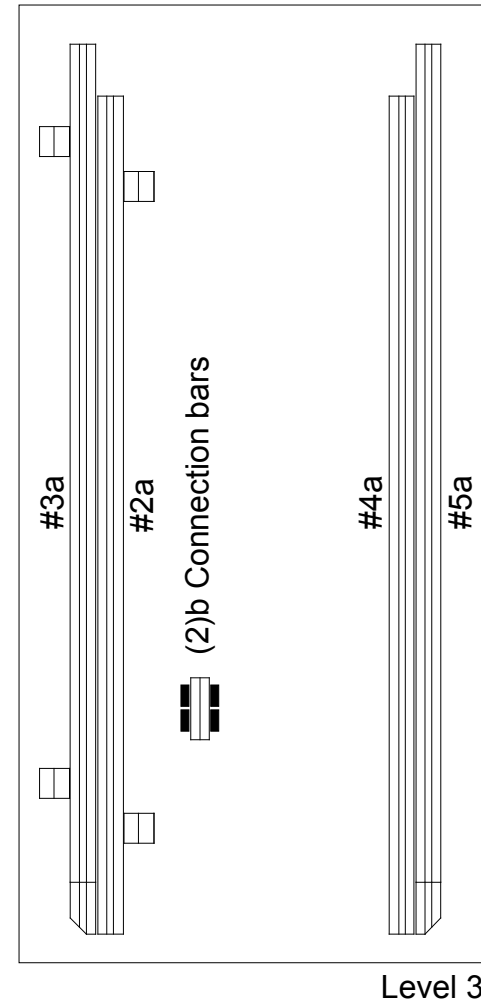
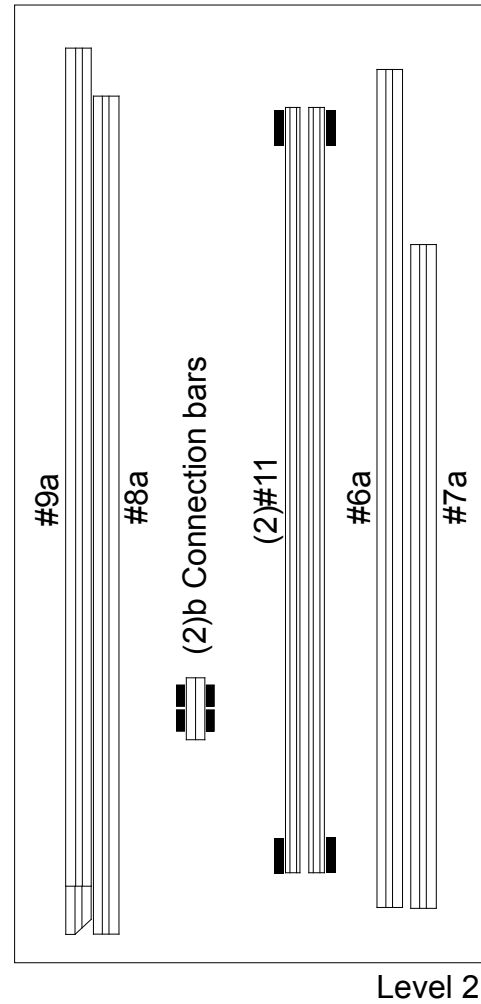
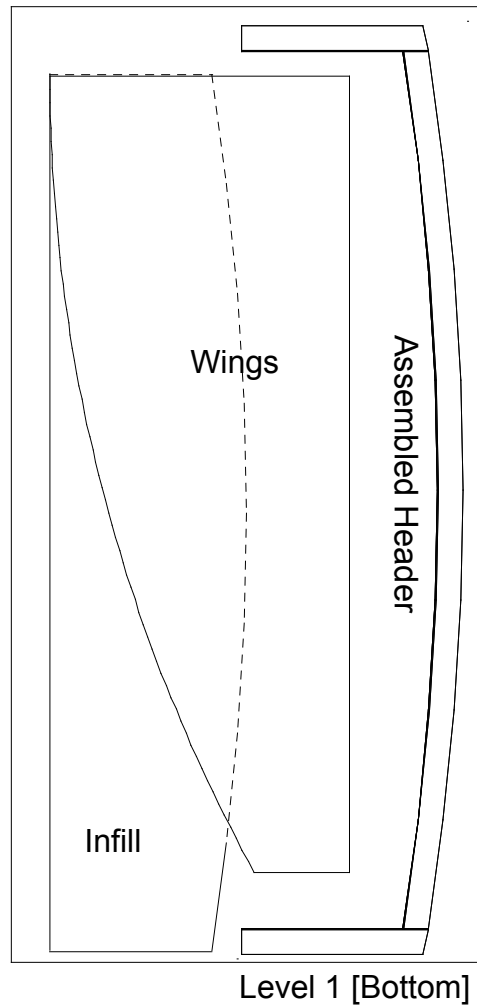
Extrusions 23a have a lip for the floor to rest upon.

**Note:** Pedestal sides must stay assembled when shipping



**WHEN DISASSEMBLING ALUMINUM EXTRUSION, TIGHTEN ALL SETSCREWS AND LOCKS TO PREVENT LOSS DURING SHIPPING**

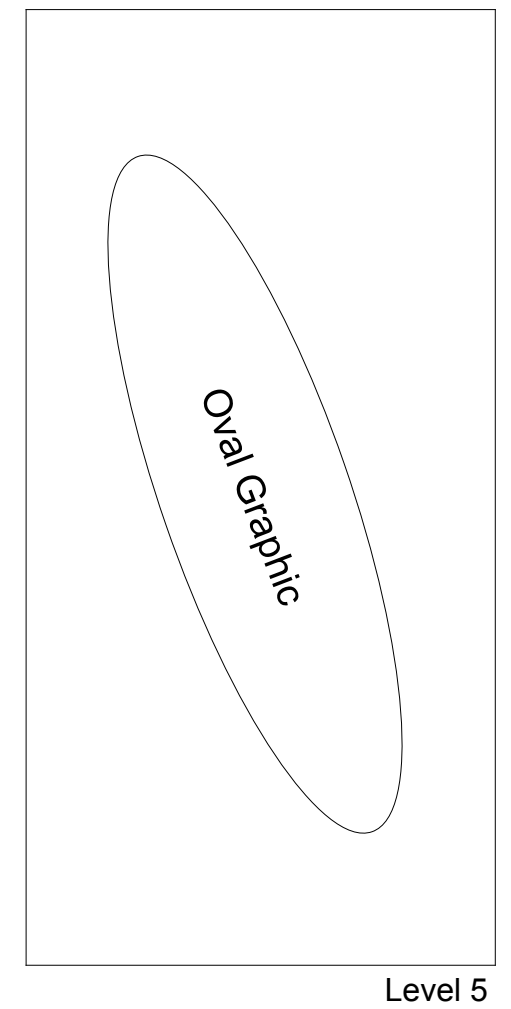
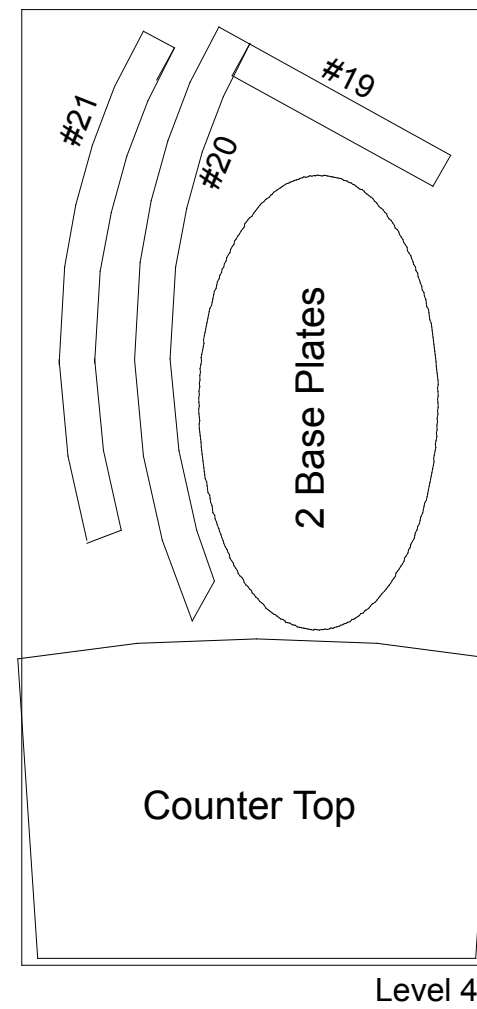
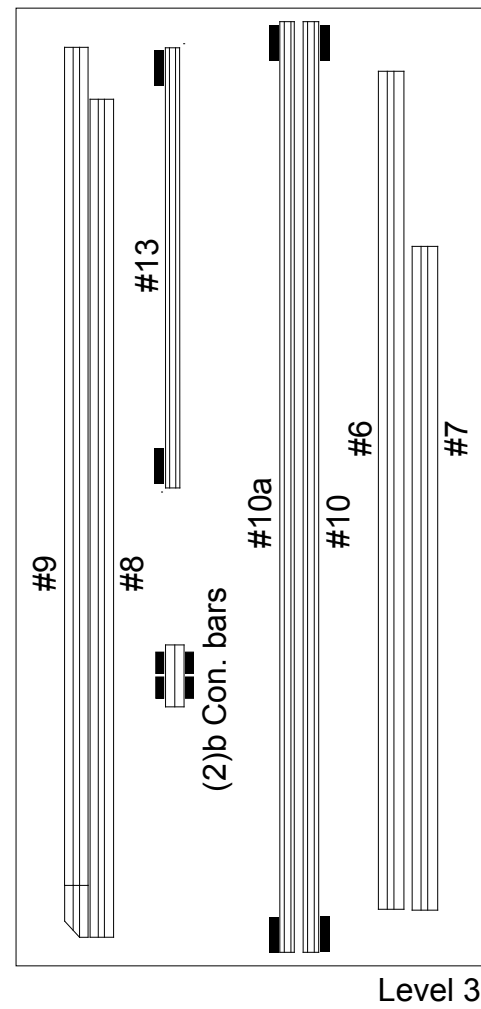
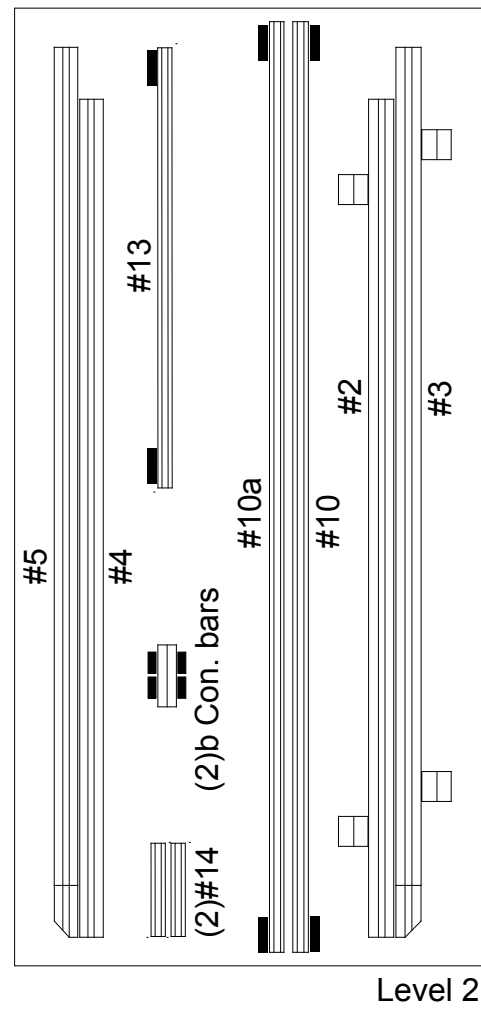
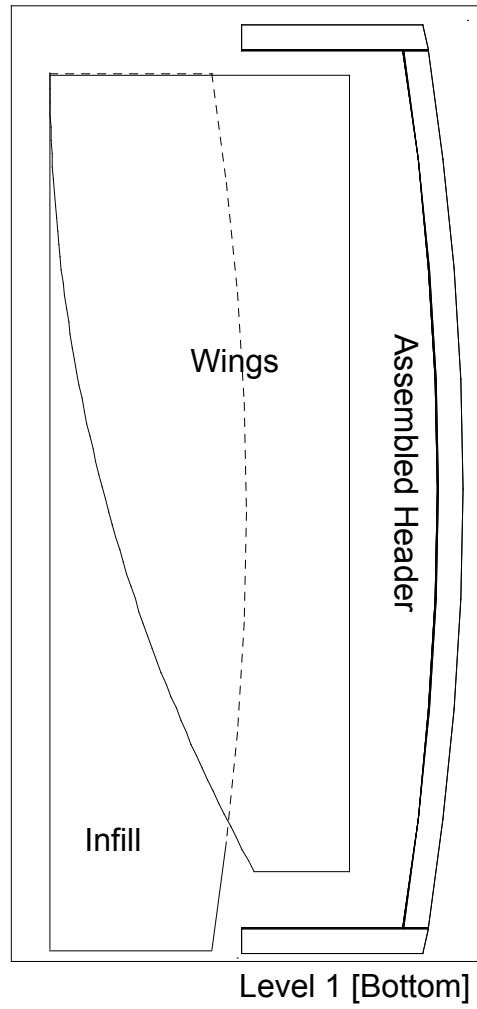
Top View of each Level



WHEN DISASSEMBLING ALUMINUM EXTRUSION, TIGHTEN ALL SETSCREWS AND LOCKS TO PREVENT LOSS DURING SHIPPING

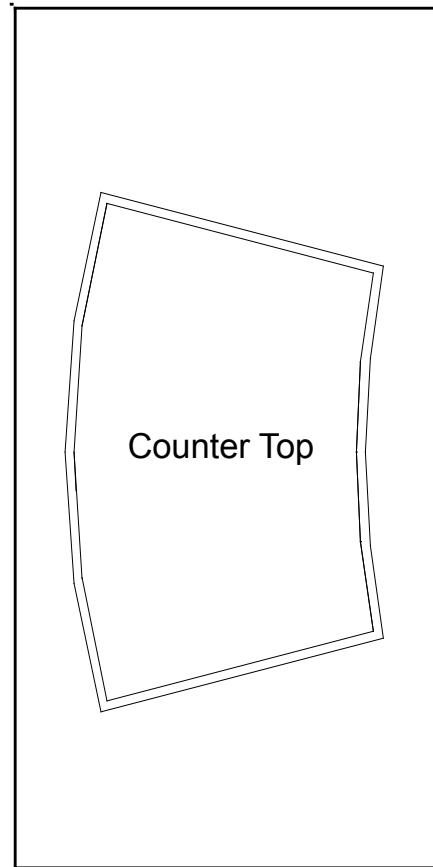


Top View of each Level

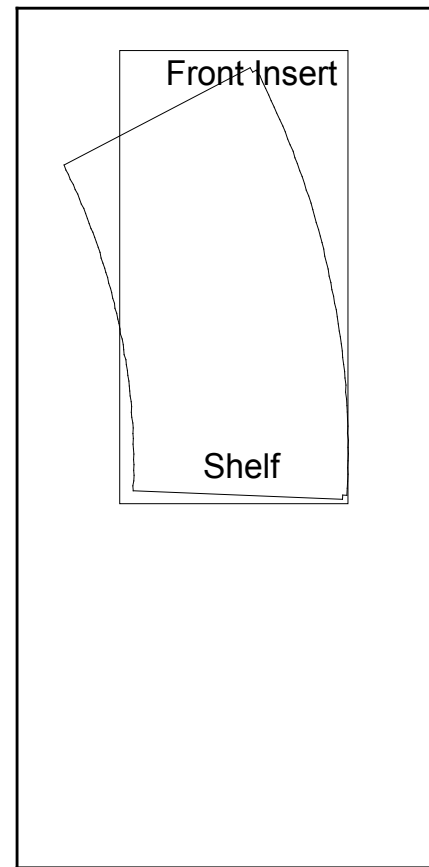


WHEN DISASSEMBLING ALUMINUM EXTRUSION, TIGHTEN ALL SETSCREWS AND LOCKS TO PREVENT LOSS DURING SHIPPING

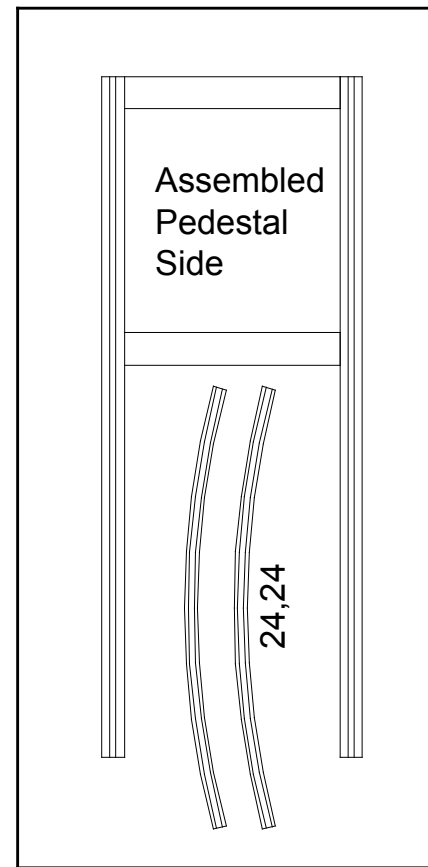
Top View



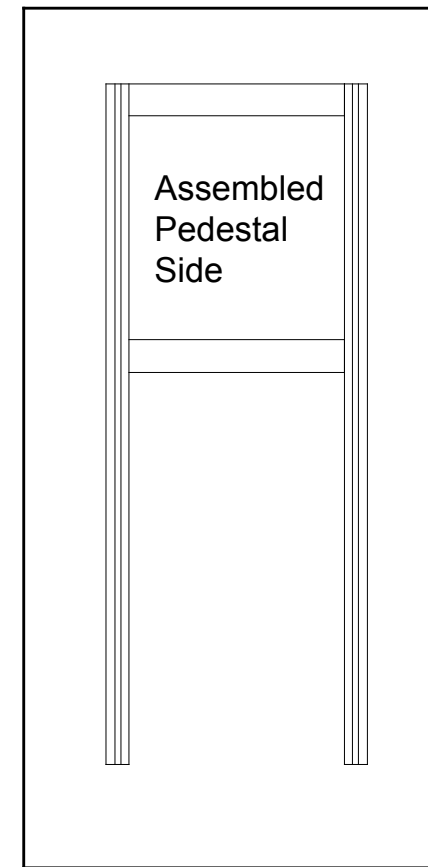
Level 1



Level 2



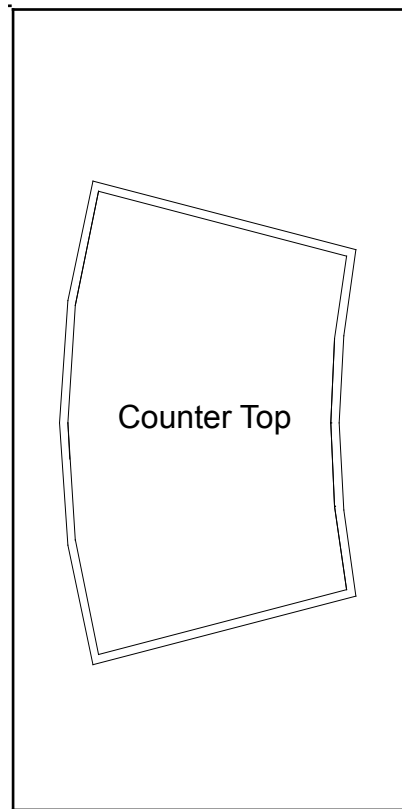
Level 3



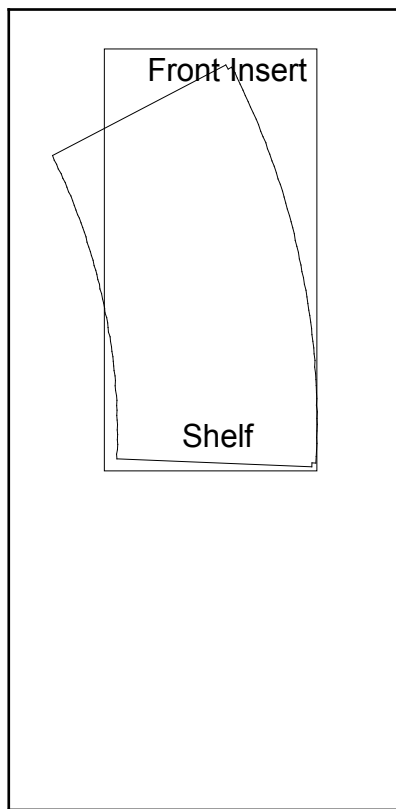
Level 4

WHEN DISASSEMBLING ALUMINUM EXTRUSION, TIGHTEN ALL SETSCREWS AND LOCKS TO PREVENT LOSS DURING SHIPPING

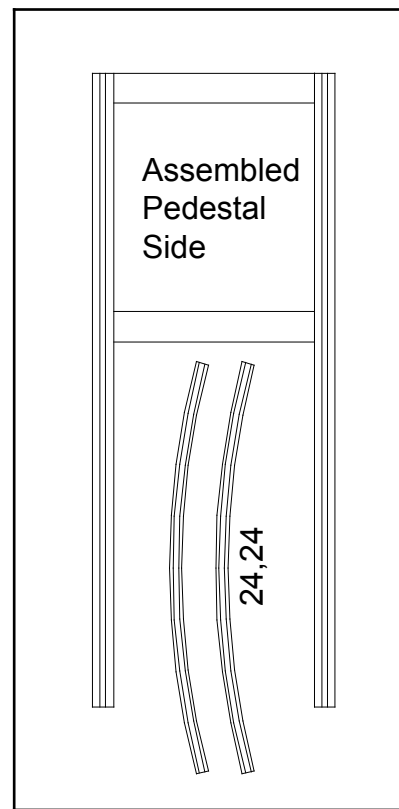
Top View



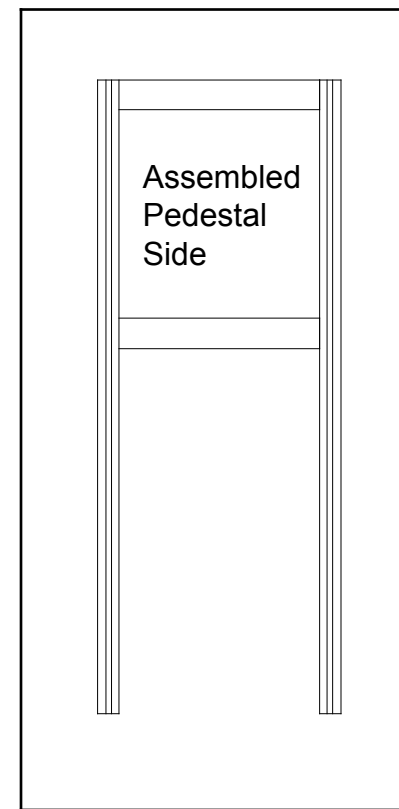
Level 1



Level 2



Level 3



Level 4

WHEN DISASSEMBLING ALUMINUM EXTRUSION, TIGHTEN ALL SETSCREWS AND LOCKS TO PREVENT LOSS DURING SHIPPING