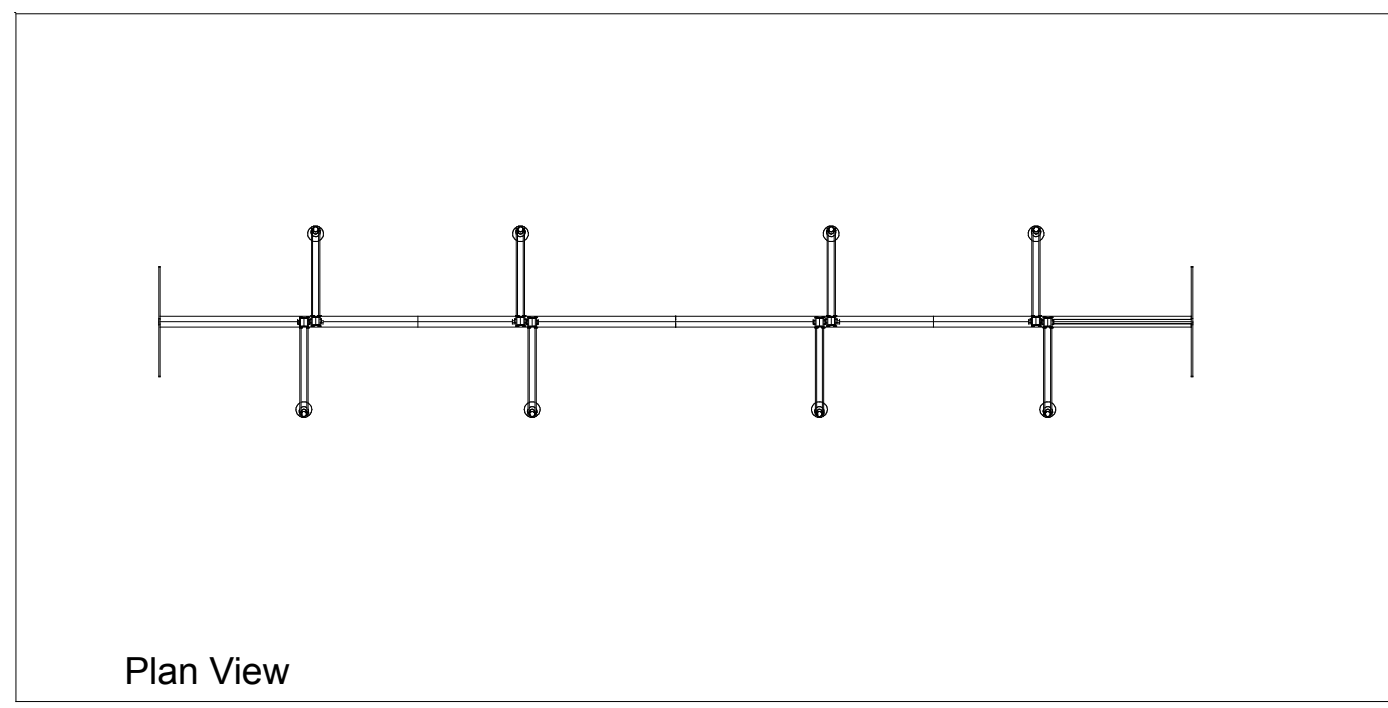


10'

Perspective View



Plan View

20'

## General Setup Instructions

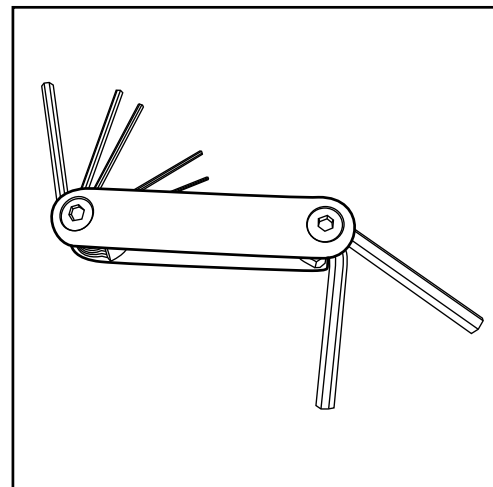
- Read entire setup instruction manual prior to unpacking parts and pieces.
- The setup instructions are created specifically for this configuration.
- Setup instructions are laid out sequentially in steps, including exploded views with detailed explanation for assembly.

## Cleaning & Packing

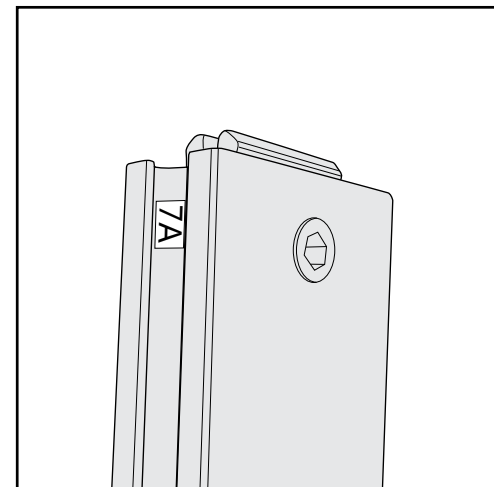
- For Cleaning Metal, Plex, & Laminate Parts: Use a **MILD NON-ABRASIVE** cleanser and soft cloth/paper towel to clean all surfaces.
- Keep exhibit components away from heat and prolonged sun exposure.  
**Heat and UV exposure will warp and fade components.**
- Retain all provided Packing Materials. All provided packing materials are for ease of repacking & component protection.

## Disassembly

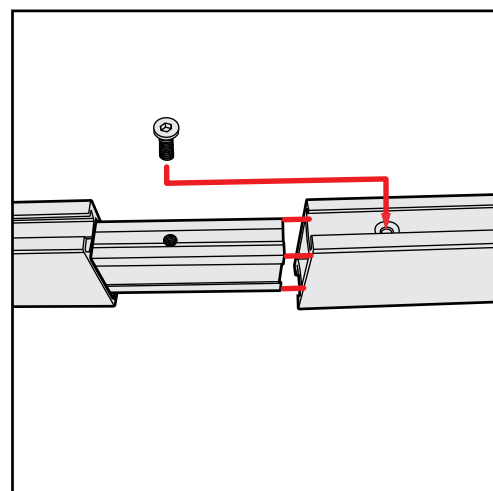
- For loss prevention, tighten all setscrews and locks during disassembly



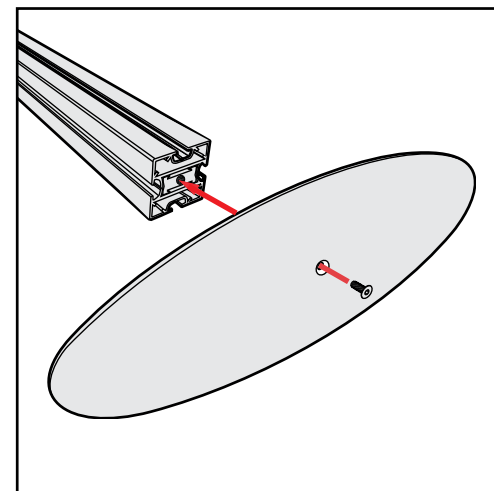
Hex Tool - Essential for Assembly



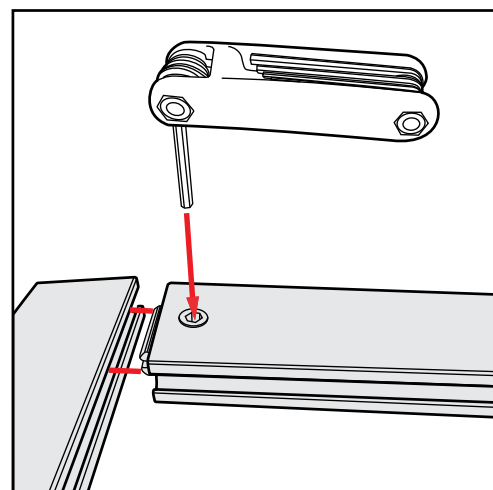
Part Identification - Numbering



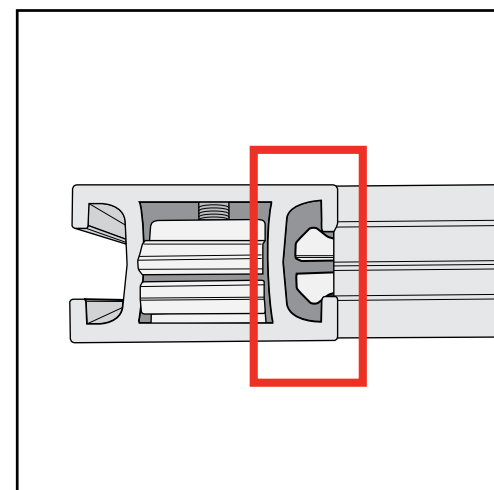
Spline Connection



Base Plate & Extrusion Connection



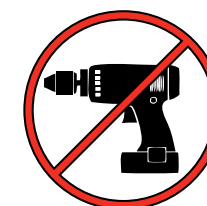
Extrusion & Lock Connection



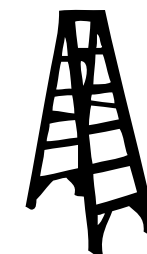
Engaged Lock



**WARNING**



DO NOT USE POWER TOOLS

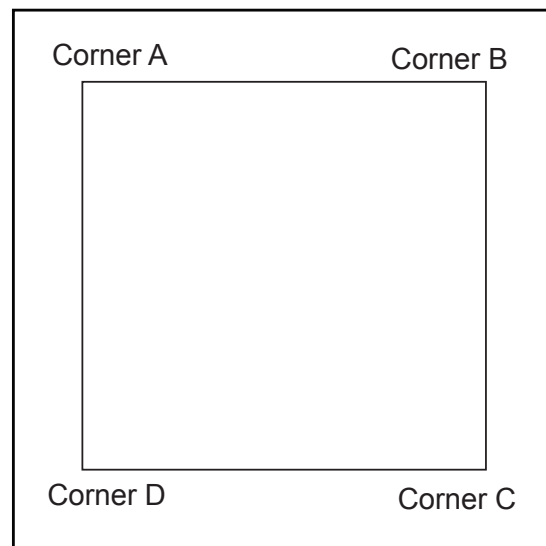


LADDERS OR LIFTS  
MAY BE REQUIRED

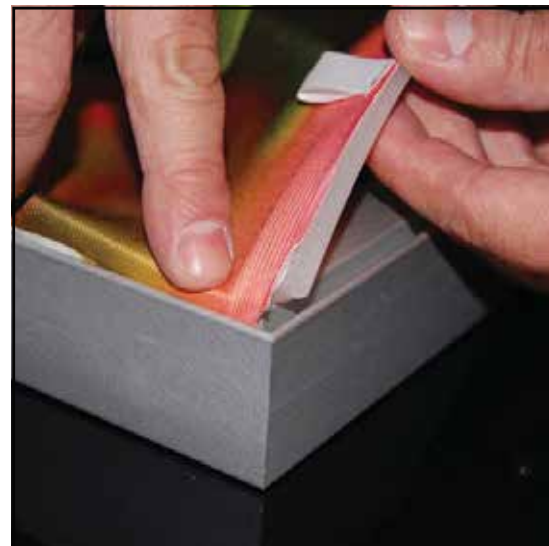


ALL CONNECTIONS MUST  
BE TIGHTLY SECURED

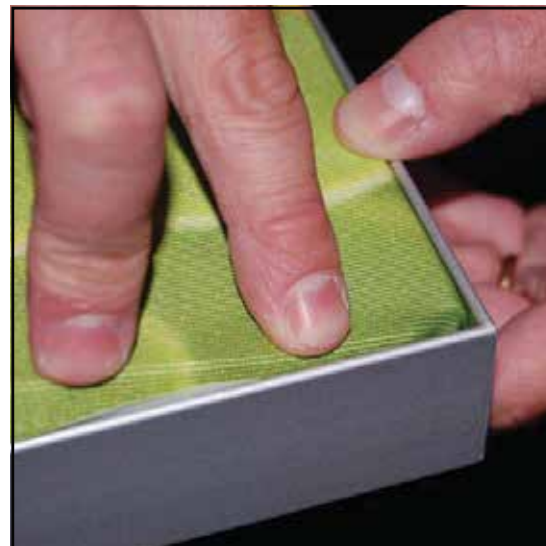
## SEG Graphic Installation



It is important to first insert graphic into each alternate corner then to the sides of the frame. If this is not done, graphic will not fit into the frame correctly.



**Step 1**  
Insert corner A. Turn edge of graphic so silicon welt is perpendicular to face of graphic. Insert narrow side of welt with fabric to outside into the channel. Repeat for other side of this corner.

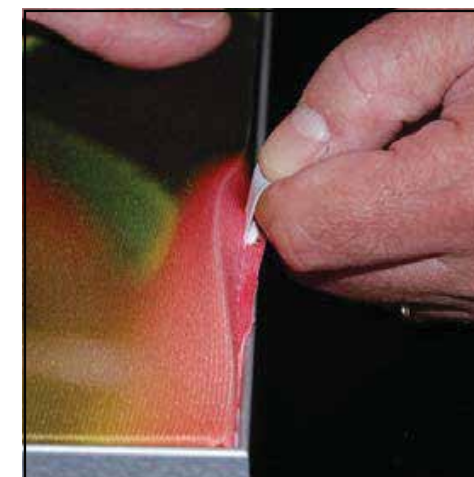


**Step 2**  
Repeat Step 1 for opposite corner C, then insert corner B, followed by corner D, to complete the installation of the corners.



**Step 3**  
Once all corners are inserted, press one silicon edge into channel from corners and work toward the center. Make sure welt is fully inserted into channel. Continue until all sides are done. Smooth out edges of graphic.

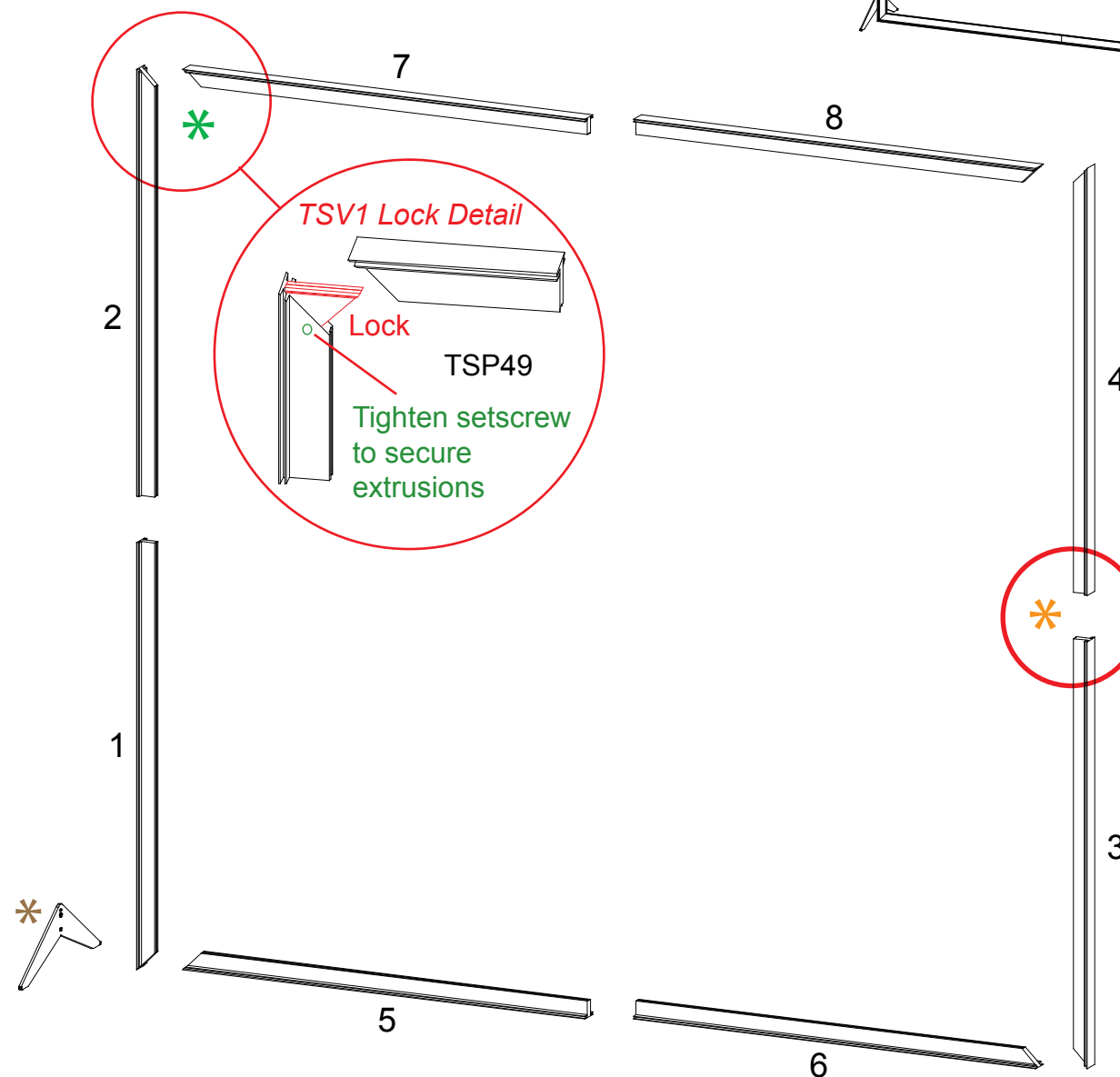
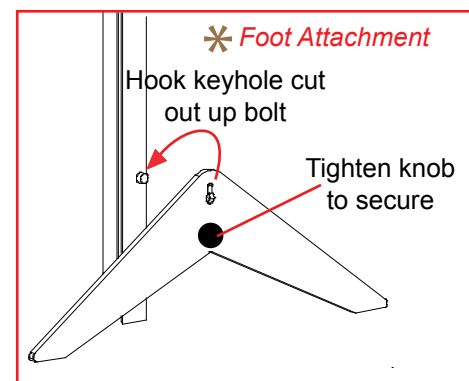
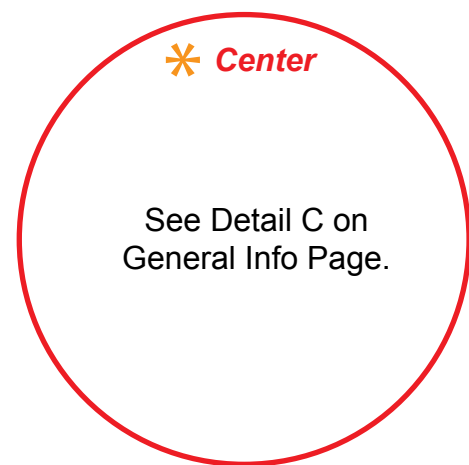
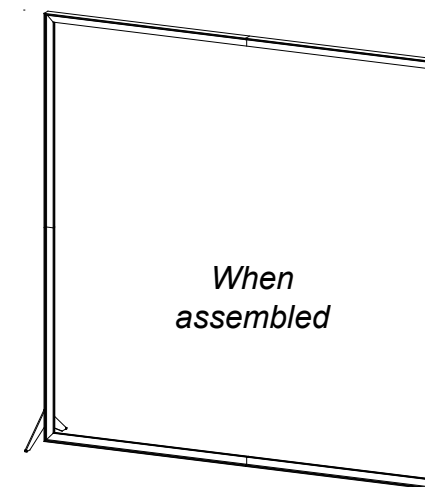
## Graphic Removal



To remove the graphic from the frame, locate the fabric pull tab. Gently pull up on the tab to remove the fabric.

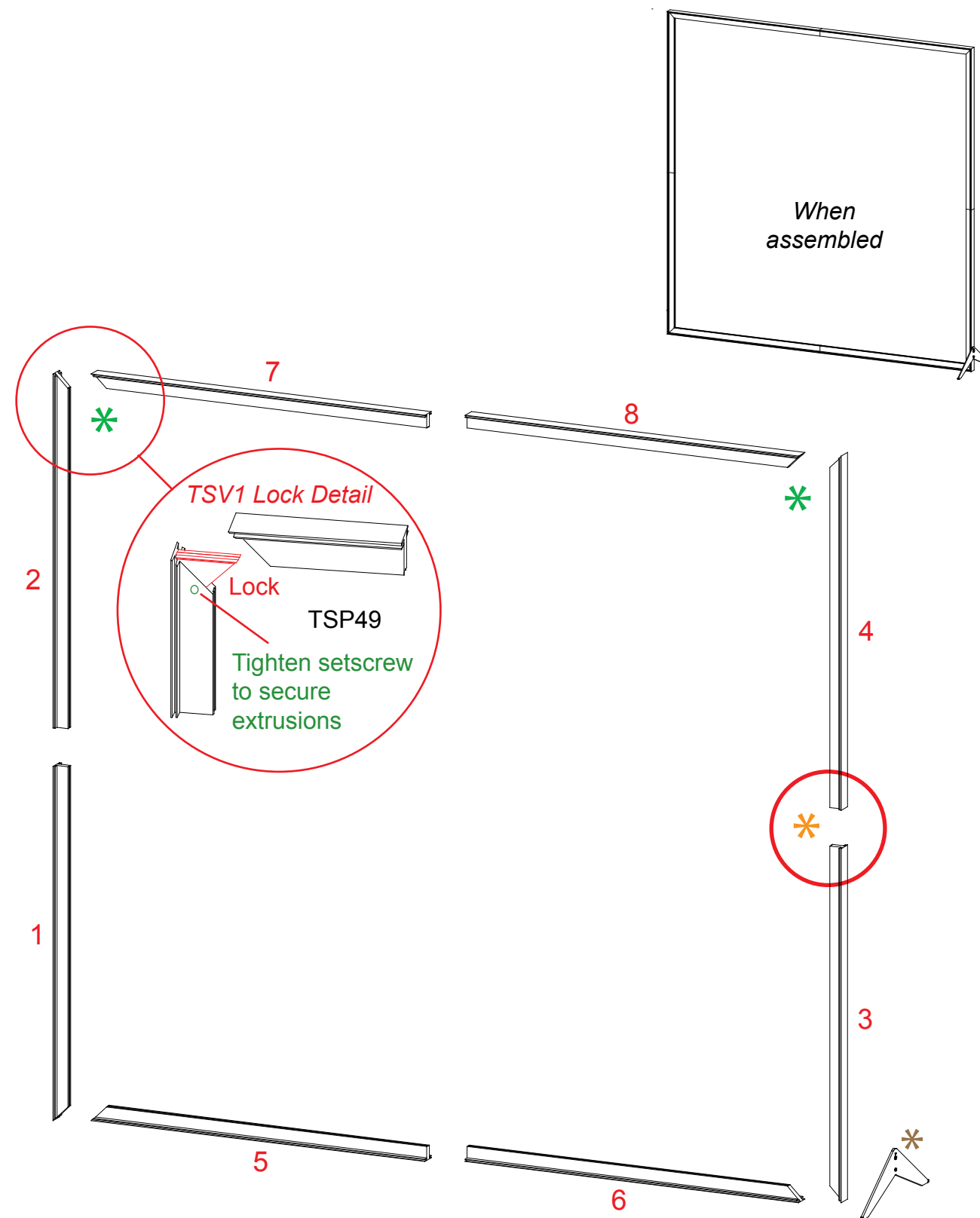
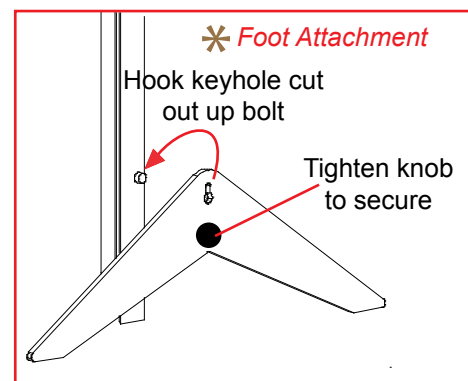
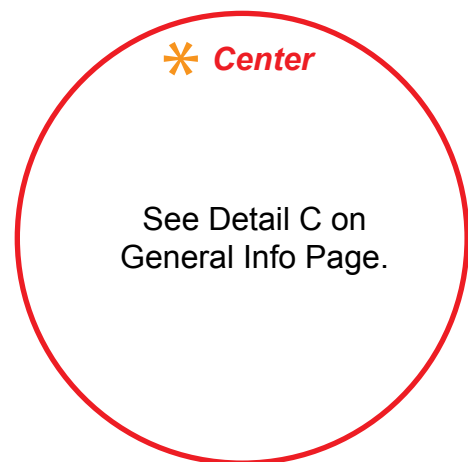
Item	Description
1	45" SEG Extrusion
2	45" SEG Extrusion
3	45" SEG Extrusion
4	45" SEG Extrusion
5	45" SEG Extrusion
6	45" SEG Extrusion
7	45" SEG Extrusion
8	45" SEG Extrusion

- Setups:**
- 1) Assembled SEG extrusions together on floor.
  - 2) Apply SEG graphic to assembled frame.
  - 3) Attach foot to side of assembled frame where indicated.



Item	Description
1	45" SEG Extrusion
2	45" SEG Extrusion
3	45" SEG Extrusion
4	45" SEG Extrusion
5	45" SEG Extrusion
6	45" SEG Extrusion
7	45" SEG Extrusion
8	45" SEG Extrusion

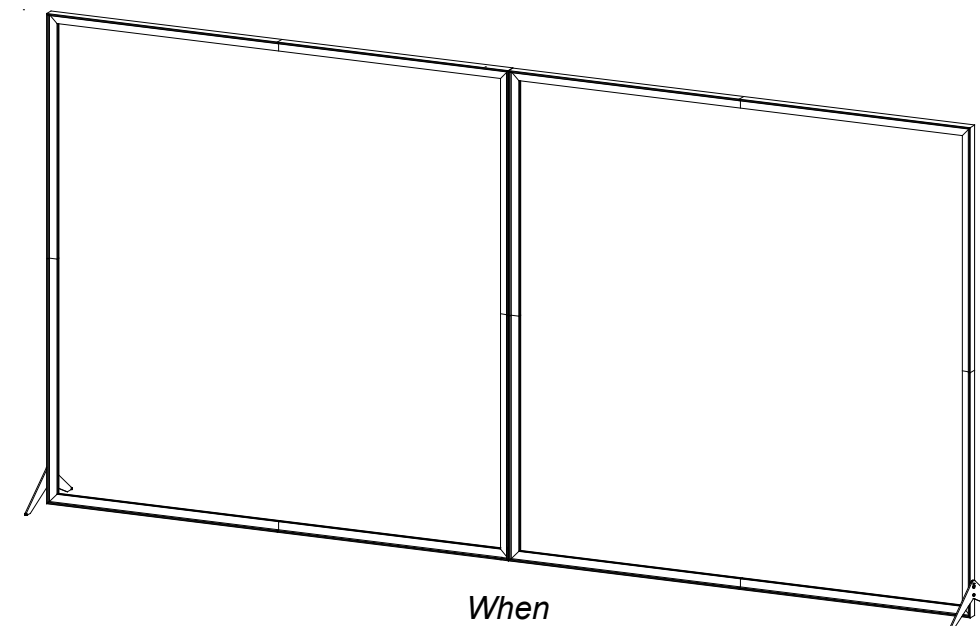
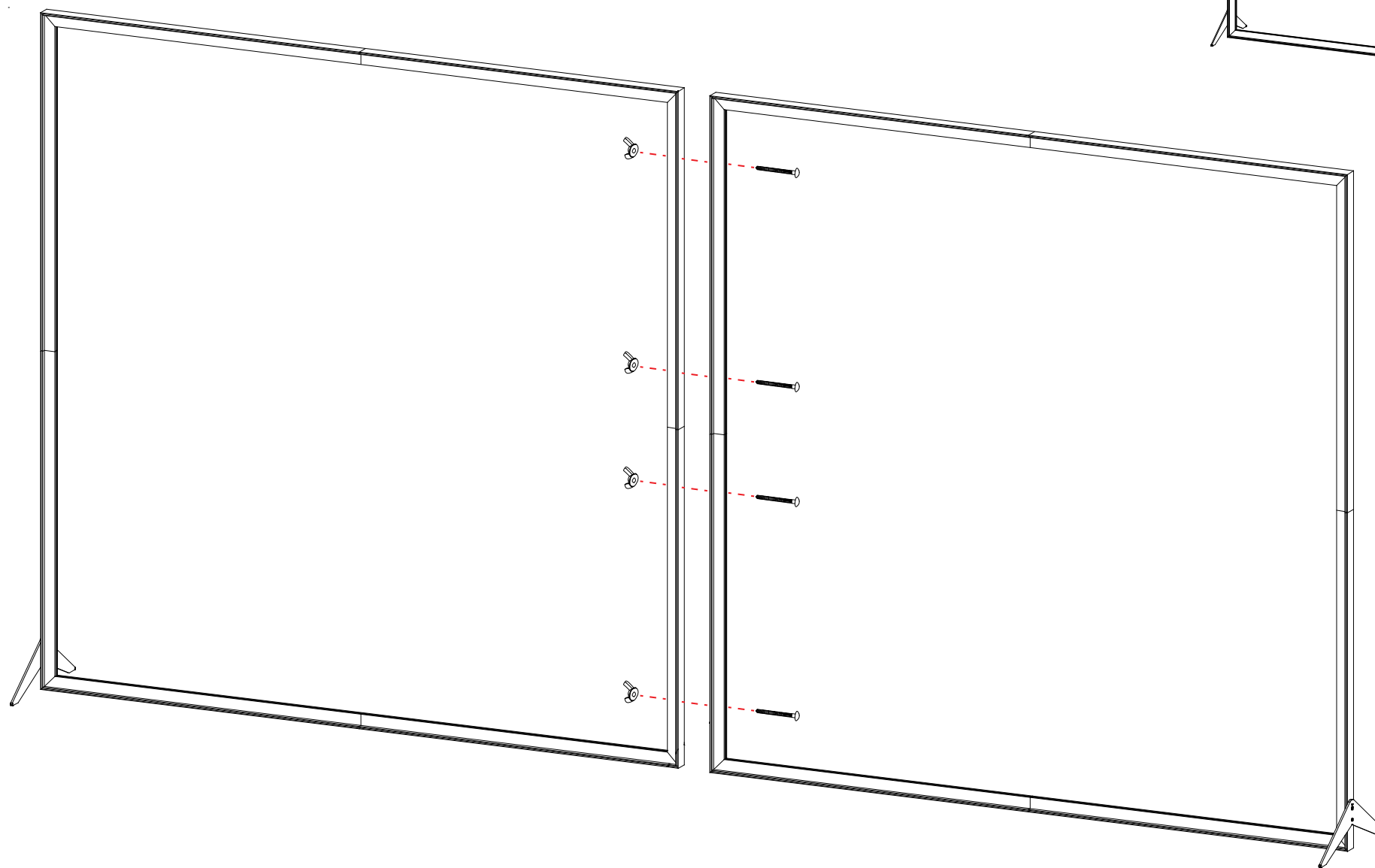
- Setups:**
- 1) Assembled SEG extrusions together on floor.
  - 2) Apply SEG graphic to assembled frame.
  - 3) Attach foot to side of assembled frame where indicated.



*Setups:*

- 1) Connect two assembled SEG frames together using bolts as shown.
- 2) Apply SEG graphics to assembled frame. Refer to details.

*\*\*\*\* See attached SEG graphic installation for graphic attachment*



*When assembled*