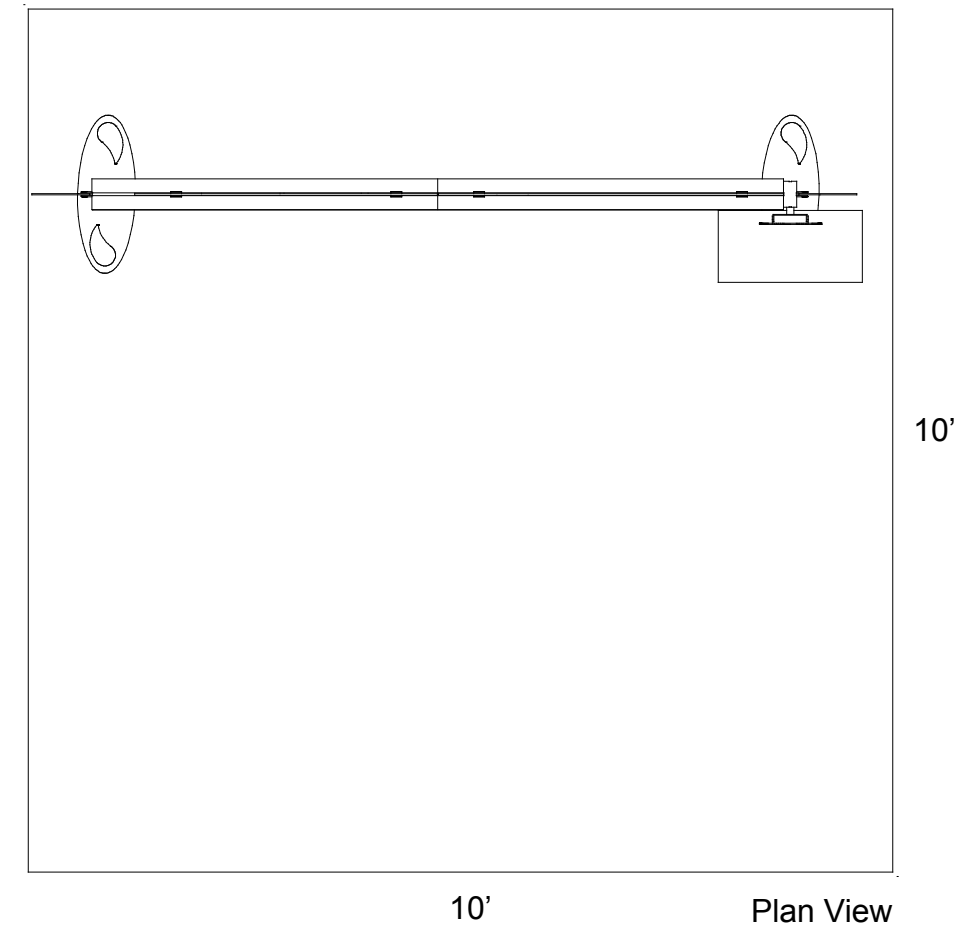
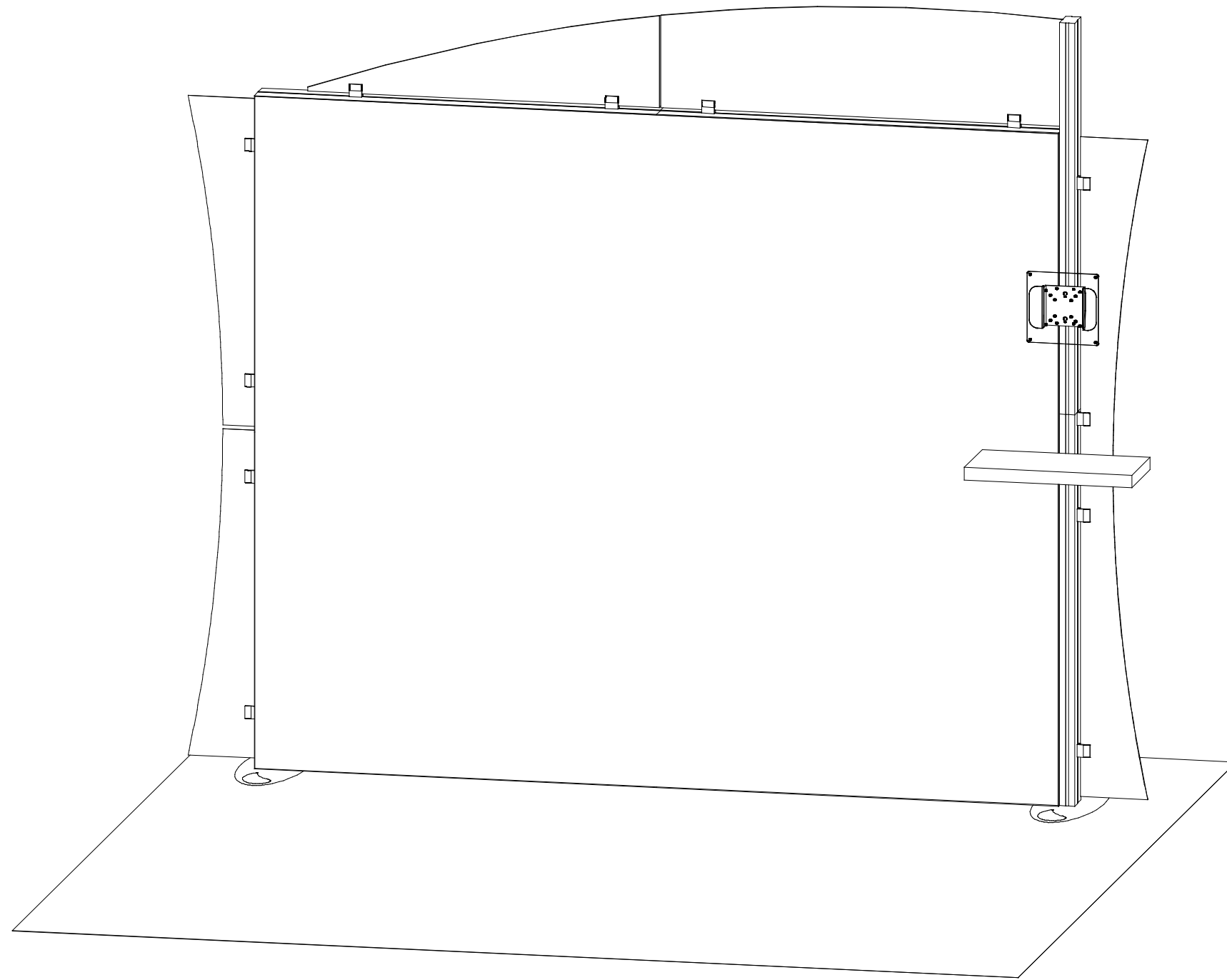


Order #XXXXX - ECO-1087 - 10'x10' Backlit Sustainable Exhibit



Setups

General Setup Instructions

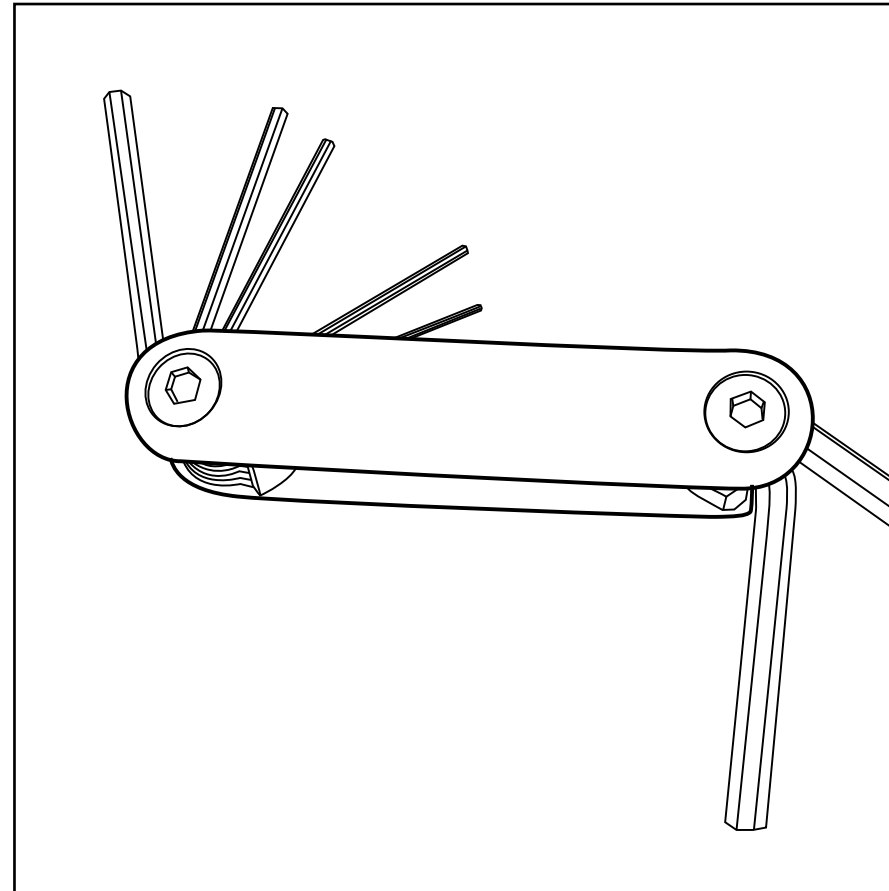
- The setup instructions are created specifically for your configuration.
- Setup instructions are laid out sequentially in levels, including exploded views and a logical series of steps for assembly. We encourage you to study the instructions before attempting to assemble your exhibit.

Cleaning and Packing

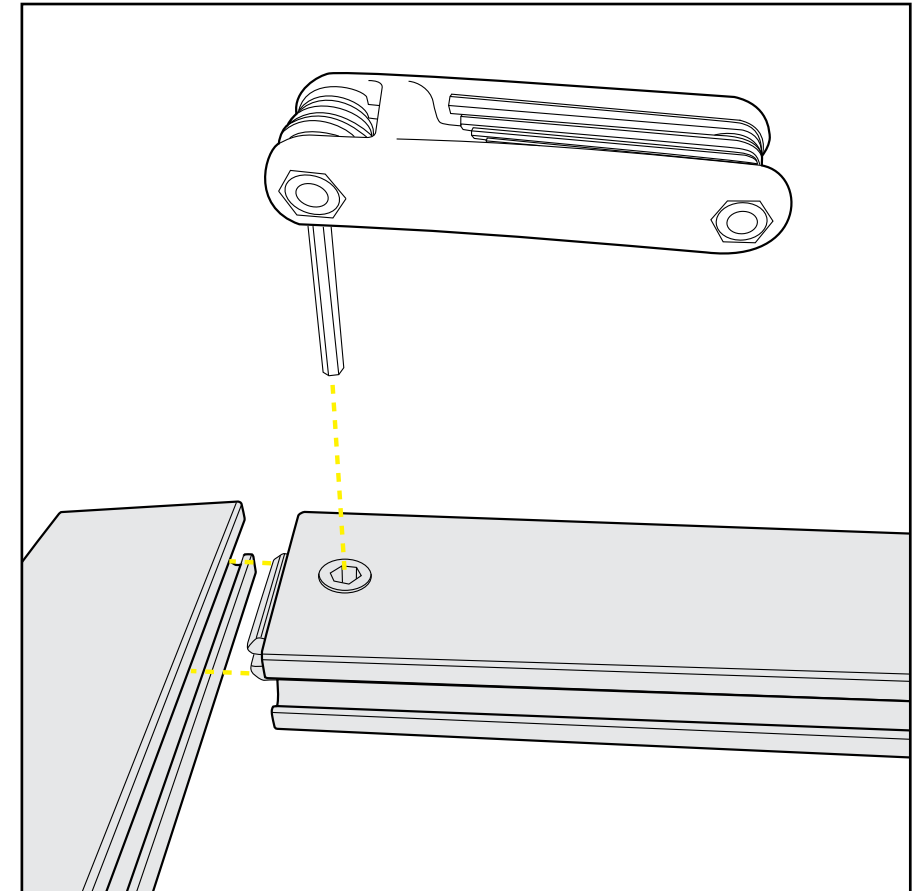
- Use non-abrasive cleaners when cleaning extrusions or ECO Glass inserts.
- Use mild cleaners and soft materials such as cotton to clean all laminates.
- Keep exhibit components away from extreme heat and long exposure to sun light. This will prevent warping and fading.
- Retain all packing material for ease of re-packing. This protects the exhibit components and keeps each part organized.

Disassembling

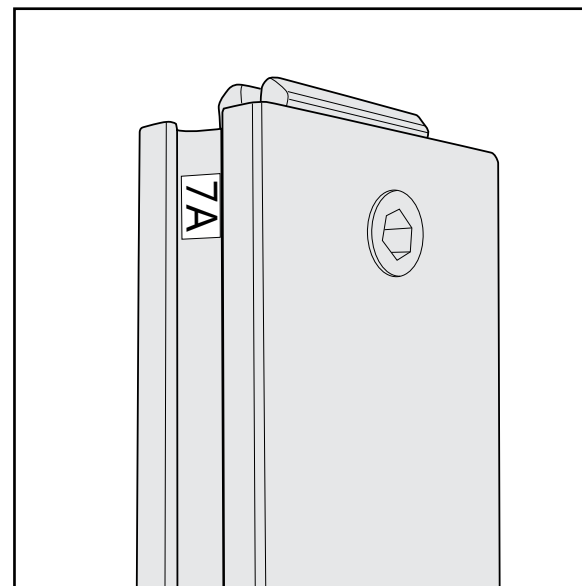
- When disassembling exhibit, tighten all setscrews to prevent loss of hardware in the shipping process.



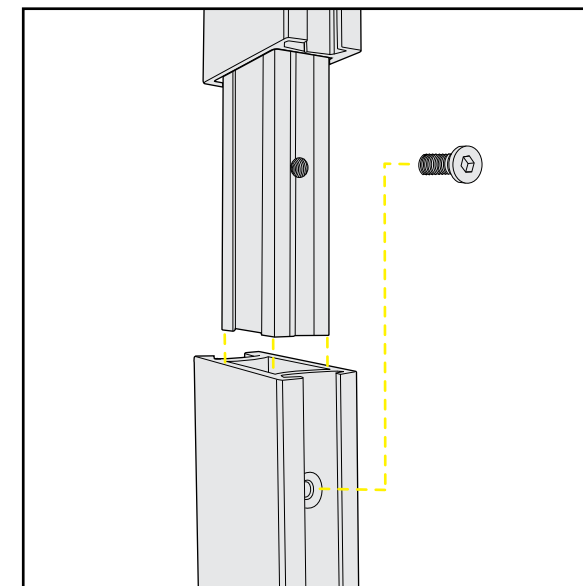
Hex Tool for Assembling Exhibit



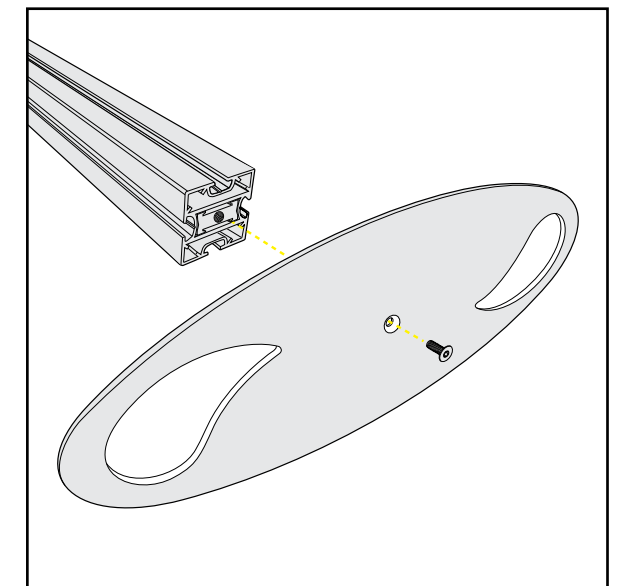
Extrusion Lock Connectors



Numbering Instructions for Setups/Packing



Inline Connection between Extrusions



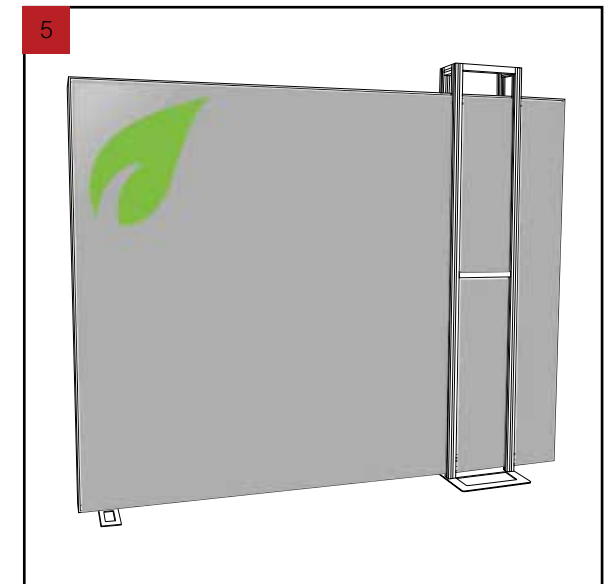
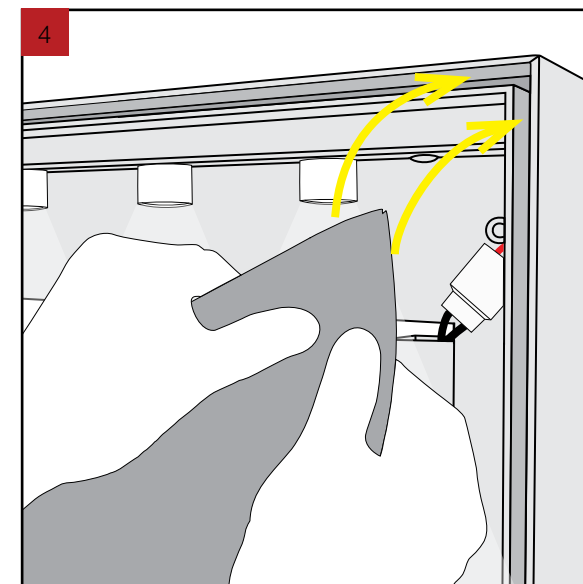
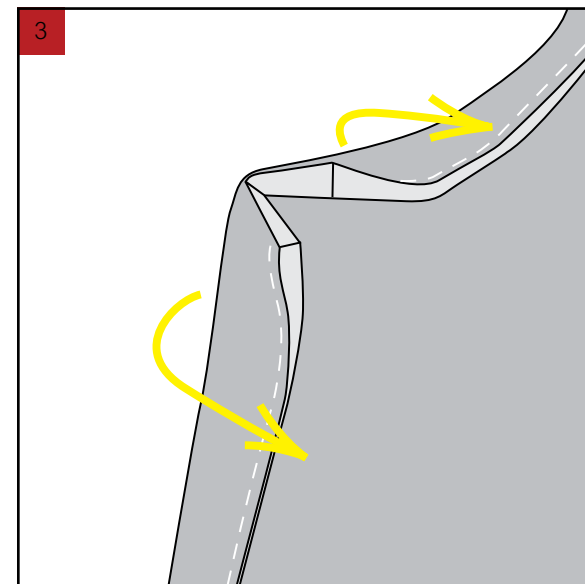
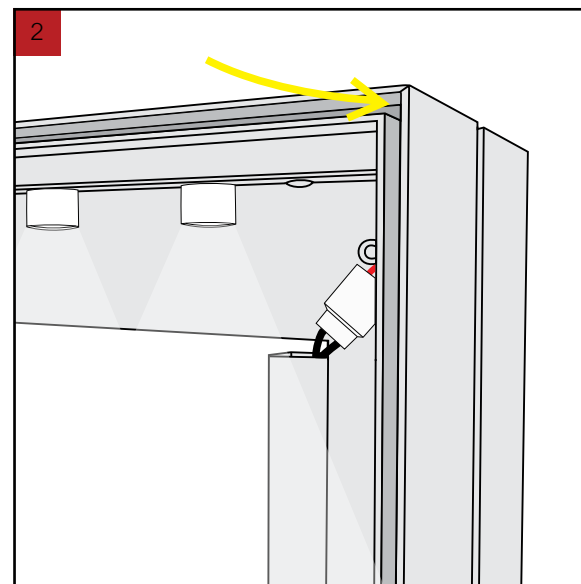
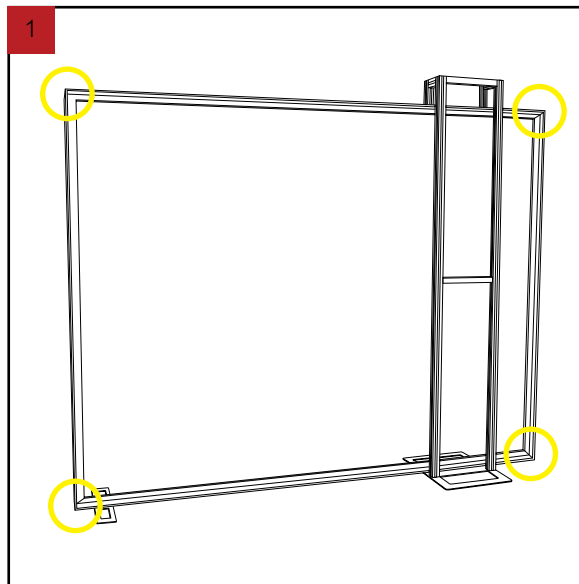
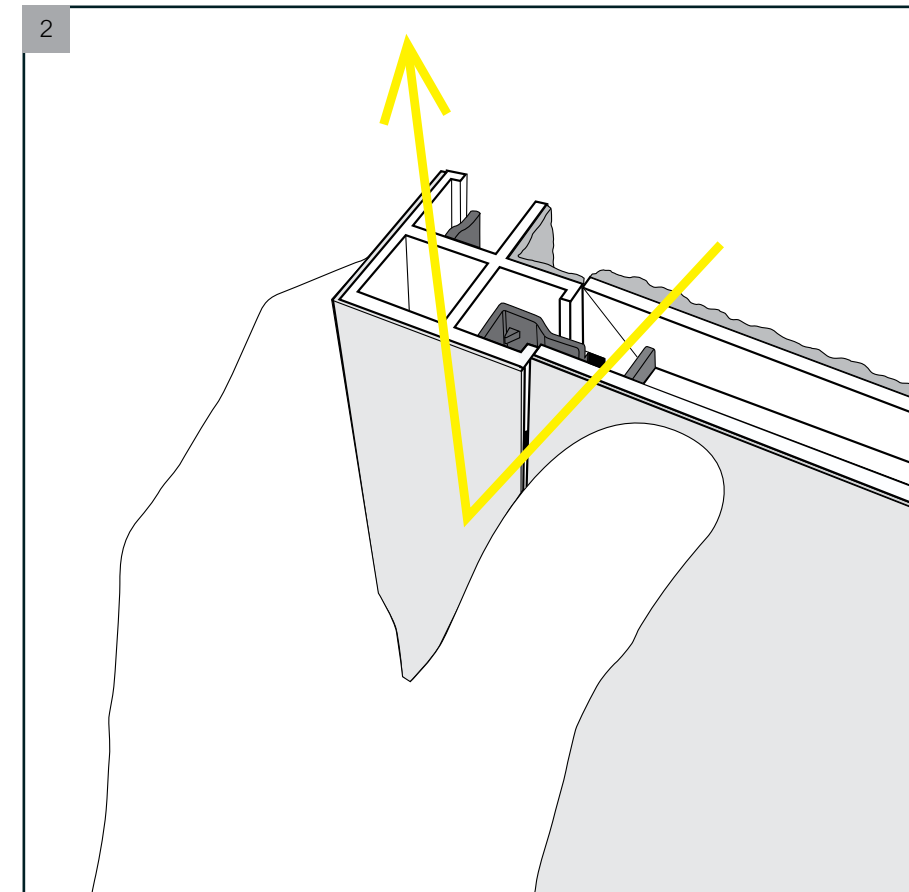
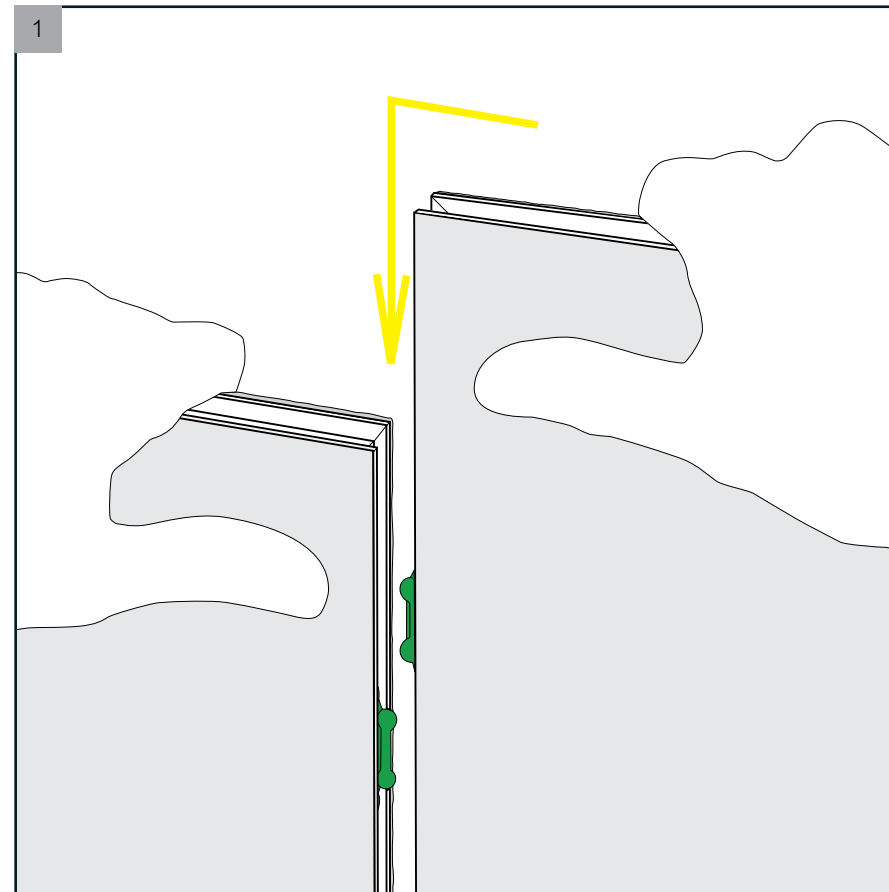
Baseplate Connection for Vertical Extrusions

ECO Panel Install

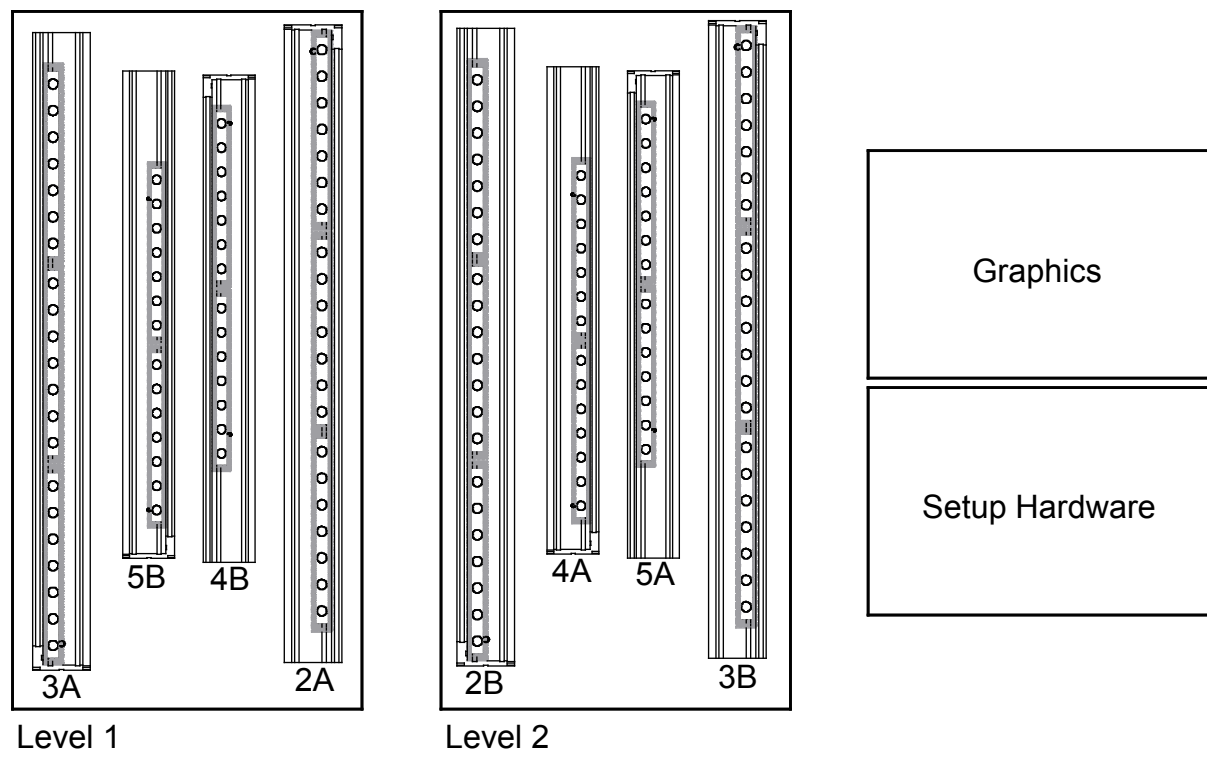
- 1 Place ECO panel together with a vertical offset, slide down to lock connector in place.
- 2 Panel Corner Connectors are installed just like ECO panels. Remove by off-setting top lock clips horizontally followed by separating vertically.

SEG Graphic Install

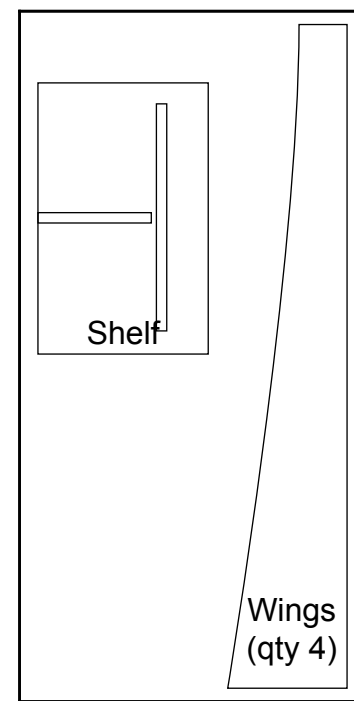
- 1 Graphic is installed corners first. This allows a proportional fit around the perimeter of the extrusion.
- 2 Locate channels along the edge of the extrusions.
- 3 Fold over graphic (hiding threads) and tuck silicon edge and fabric into corners.
- 4 After corners are complete, slide in the rest of the graphic into channel. (From edges to center)
- 5 Graphic is installed. Stand back and be amazed!



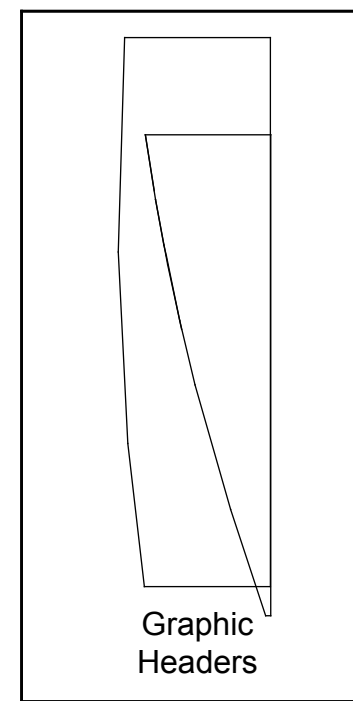
Top View of Each Level



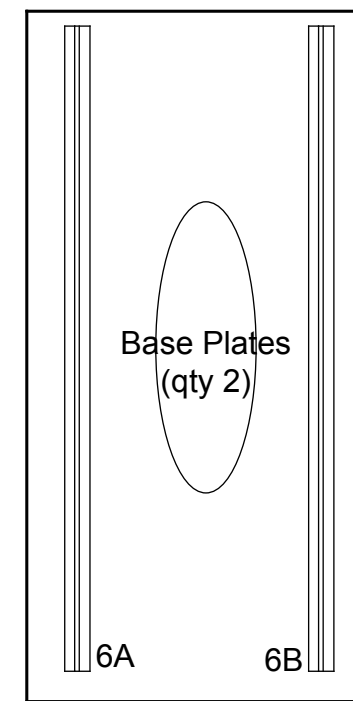
Top View of Each Level



Level 1



Level 2

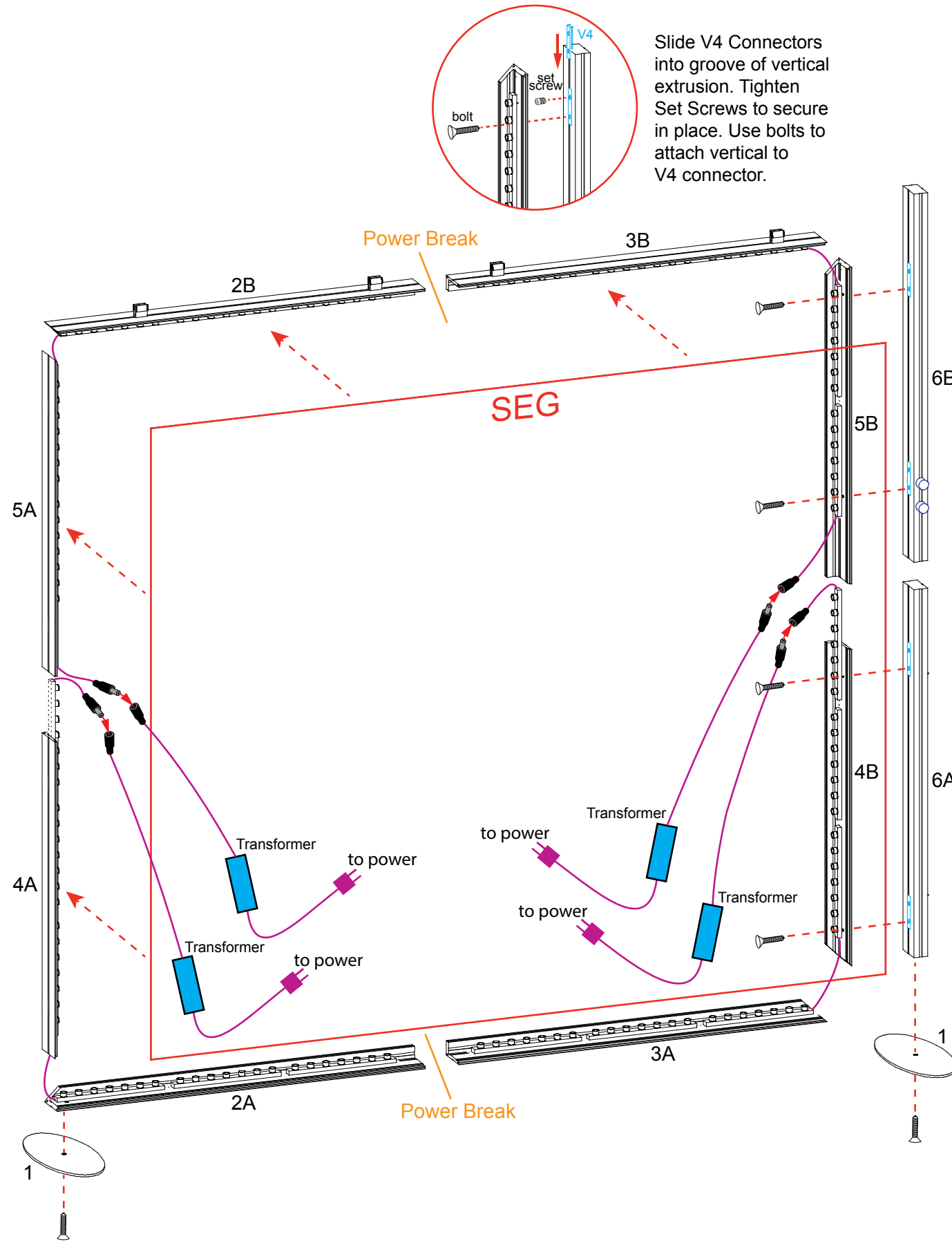


Level 3

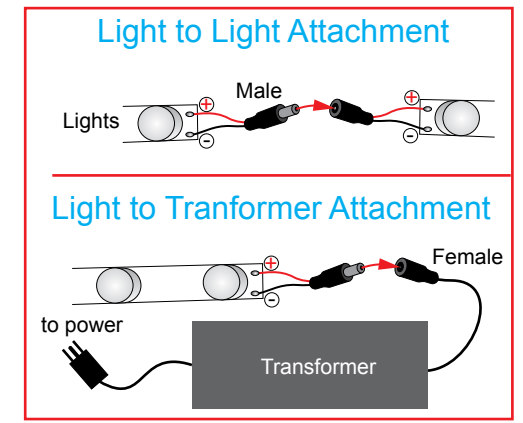
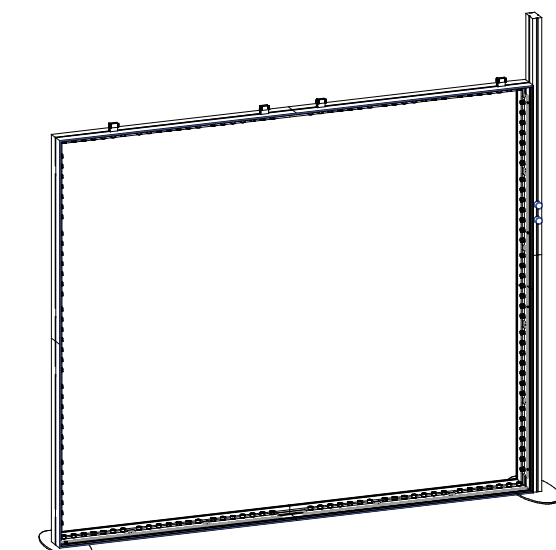
Item	Qty.	Description
1	2	Baseplate
2A/2B	1/1	48" CEI110 Horizontal Extrusion
3A/3B	1/1	48" CEI110 Horizontal Extrusion
4A/4B	1/1	40.25" CEI110 Vertical Extrusion
5A/5B	1/1	40.25" CEI110 Vertical Extrusion
6A/6B	1/1	46.8125" S91 Vertical Extrusion

Steps:

- 1) Attach Baseplate [1] to horizontal [2A] using bolt & wing nut.
- 2) Attach Baseplate [1] to vertical [6A] using bolt.
- 3) Connect horizontals [2A-3A, 2B-3B] and verticals [4A-5A, 4B-5B, 6A-6B] together. See CEI-110 Frames Assembly in the General Information Pages.
- 4) Connect Horizontal and Vertical assemblies together. See CEI-110 Frames Assembly in the General Information Pages.
- 5) Connect vertical assembly [6A-6B] to vertical assembly [4B-5B], using V4 connectors & bolts as shown.
- 6) Connect lighting Power Cords and attach Transformers. See Light to Light Attachment & Light to Transformer Attachment details.
- 7) Attach SEG to assembled frame. See SEG Graphic Install in the General Information Pages.



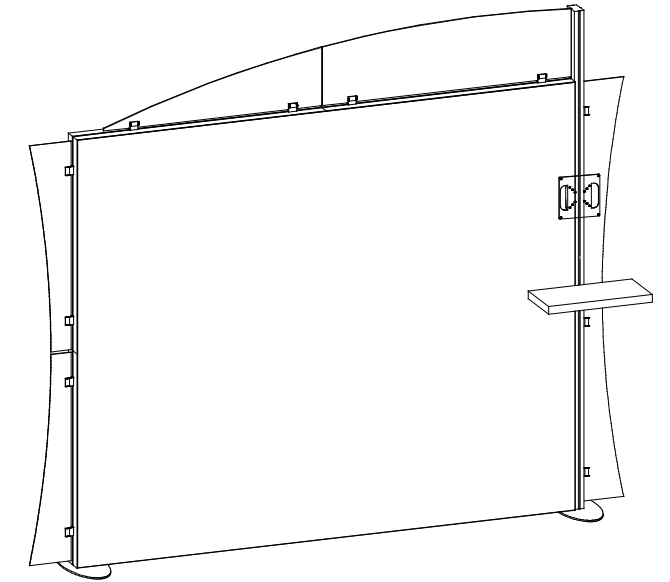
Slide V4 Connectors into groove of vertical extrusion. Tighten Set Screws to secure in place. Use bolts to attach vertical to V4 connector.



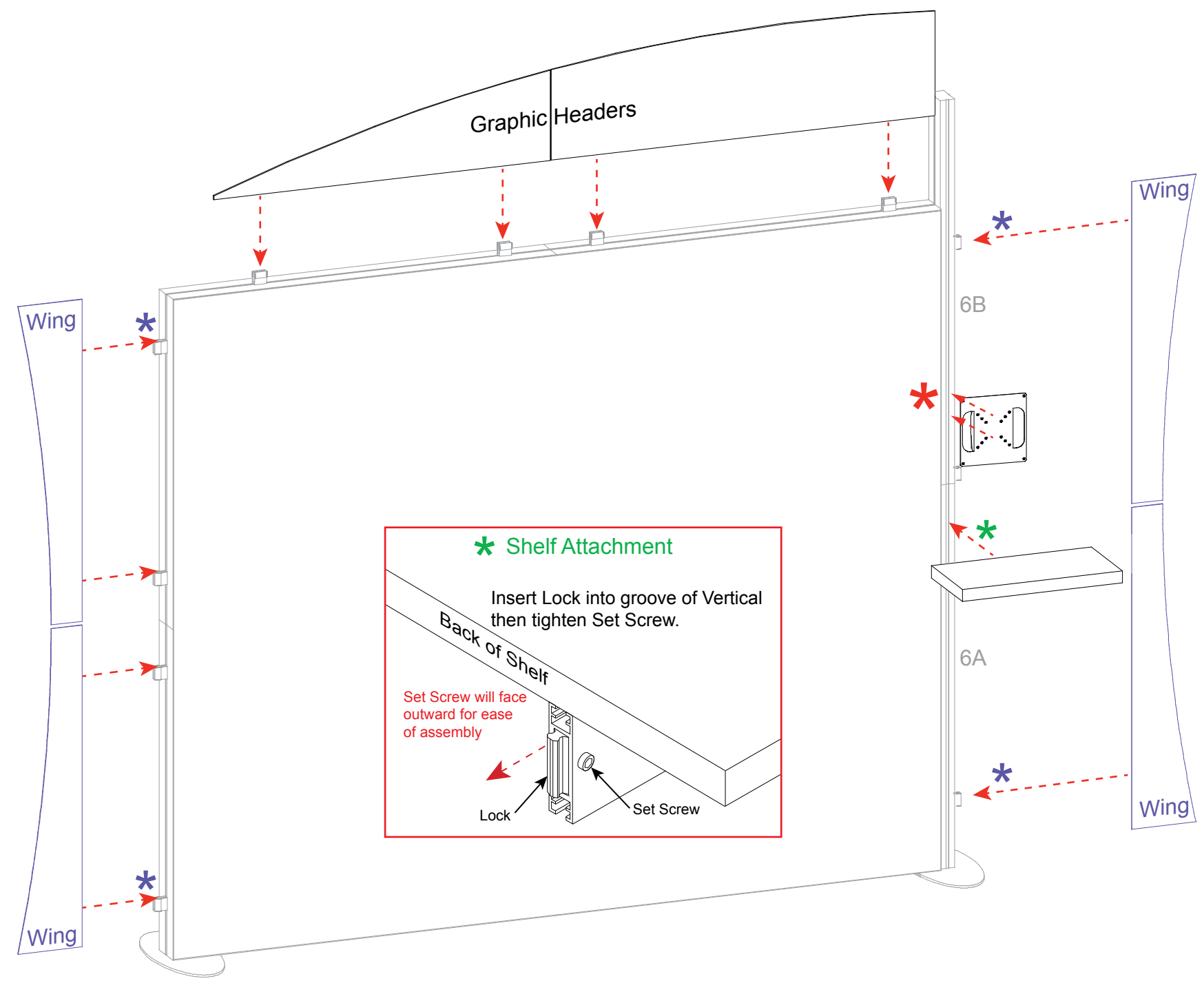
Step 1

Item	Qty.	Description
--	1	8.5"h S12 Vertical Extrusion
--	1	8.5"h V31 Connector

- Steps:
- 1) Connect Graphic Headers to assembled backwall with A10 Clamps. See [A10 Clamp](#) detail.
 - 2) Connect Shelf to Vertical [6A/6B]. See [Shelf Attachment](#) detail.
 - 3) Install Monitor Mount to vertical [6A/6B] using S12 extrusion & V31 connector. See [Monitor Mount Attachment](#) detail.



When assembled



*** Shelf Attachment**

Insert Lock into groove of Vertical then tighten Set Screw.

Back of Shelf

Set Screw will face outward for ease of assembly

Lock

Set Screw

*** Monitor Mount Attachment**

Connect S12 vertical extrusion to backwall vertical using V31 connector. Tighten set screws to secure connection.

Slide V4 connectors into groove of S12 & tighten set screws. Then use bolts to attach Monitor Mount to V4 connectors.

Keep S12 & V31 permanently attached to vertical extrusion. DO NOT DISASSEMBLE.

*** A10 Clamp**

- 1) Slide A10 connector into groove of Vertical.
- 2) Tighten Set Screw to secure A10 to Vertical.
- 3) Insert Wing into A10.
- 4) Tighten knob to secure Wing in place.